

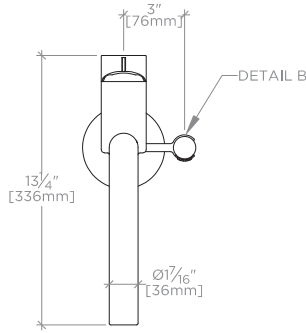
Finot

COMMERCIAL ONLY Finot Floor Mounted Exposed Tub Filler With Handshower and Lever Handle, 1.5gpm

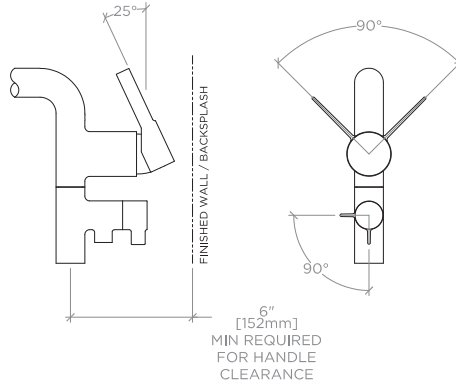
STYLE No. NOXT90-1.5

BASE STYLE No. NOXT90

All dimensions are based on original specifications and are subject to change and variation. Please consult your Design Associate for current specifications.

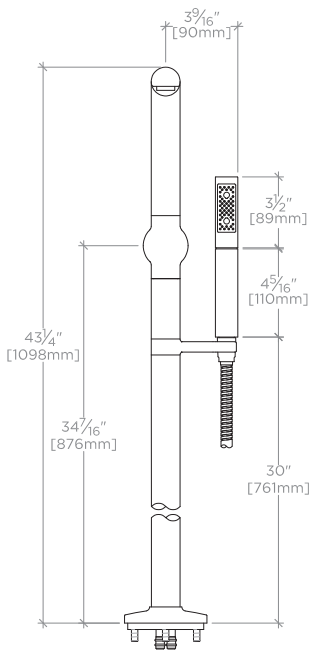


TOP VIEW

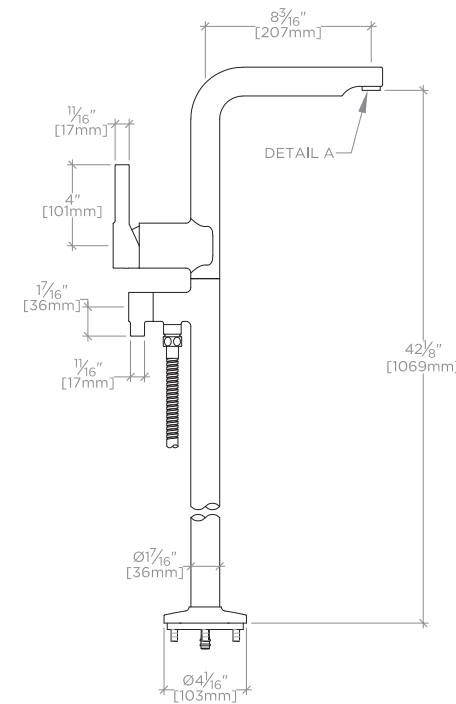


HANDLE OPERATION

COMPLIANCE MARKINGS	
MANUFACTURER MARK ON PRODUCT (5mm MIN)	DETAIL A
CUPC ON PRODUCT	DETAIL B
FLOW RATE ON PRODUCT	DETAIL B
SECONDARY PACKAGE LABELS	<div style="display: flex; justify-content: space-around;"> <div style="border: 1px solid black; padding: 2px;"> <p>MAX FLOW RATE 1.5 GPM (5.7 L/min) MIN FLOW RATE 1.13 GPM (4.28 L/min) @45 PSI (3.10 BAR)</p> </div> <div style="border: 1px solid black; padding: 2px;"> <p>Certified by IAPMO R&T</p> </div> </div>
ADDITIONAL SECONDARY PACKAGE LABELS	<p><small>⚠️WARNING: This product can expose you to chemicals including lead and lead compounds, which are known to the State of California to cause cancer and birth defects or other reproductive harm. For more information go to www.P65Warnings.ca.gov.</small></p>



FRONT VIEW



SIDE VIEW

SPECIFICATIONS:

- Primary Material: Brass
- Handshower Spray Hose Length: 63"
- Inlet Connection: 1/2" Female NPT
- Water Pressure: 85.0 psi [6.0 bar] **MAX**- 20.0 psi [1.5 bar] **MIN**
- Water Pressure Recommended: 45.0 psi [3.0 bar]
- Restricted Maximum Flow Rate: 1.5gpm (5.7L/min)

NOTES:

FLOOR ROUGH REQUIRED:
STYLE No. GUXT01

CODES & STANDARDS:

ASME A112.18.1-2018/CSA, B125.1-18, CEC, DOE, State of MA