

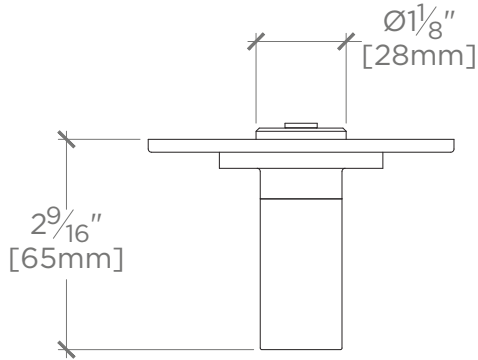
Finot

Finot Two Way Pressure Balance Diverter
Trim with Modern Dots and Lever Handle

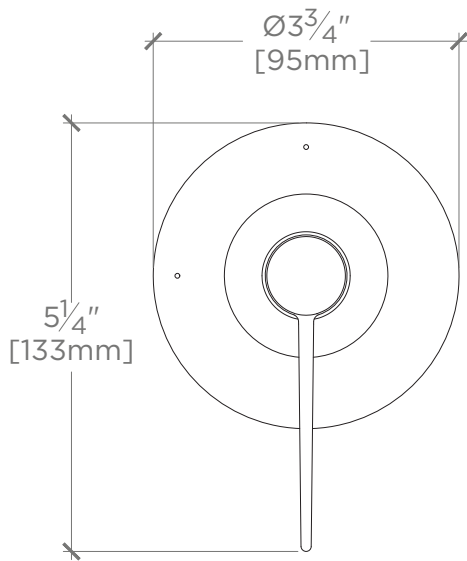
STYLE No. NO2P20

BASE STYLE No. NLH020+UN2PM1

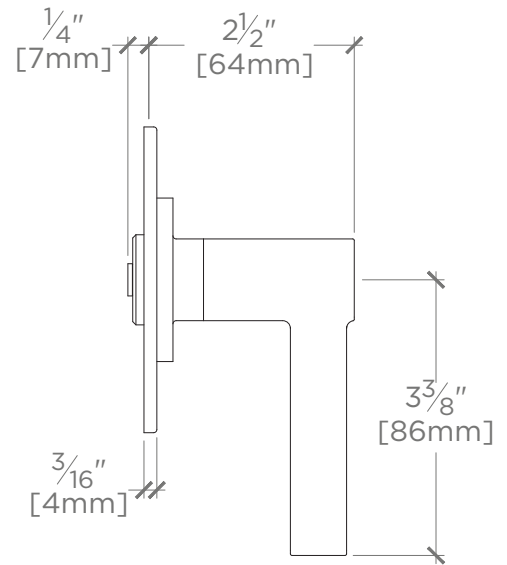
All dimensions are based on original specifications and are subject to change and variation. Please consult your Design Associate for current specifications.



TOP VIEW



FRONT VIEW



SIDE VIEW

SPECIFICATIONS:

Primary Material: Brass
Fittings Hole Diameter: 2-1/2" [64mm]

NOTES:

REQUIRED VALVE:
STYLE No. GUDV2P

CODES & STANDARDS:

ASME A112.18.1-2018/CSA B125.1-18, State of MA