

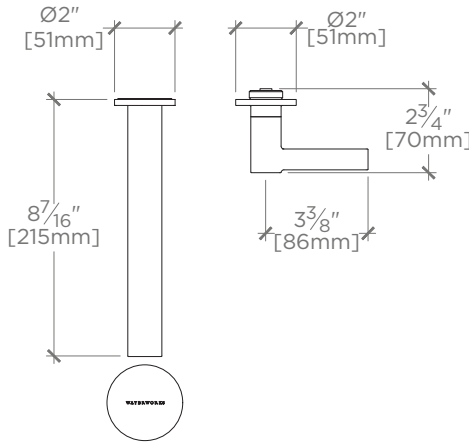
Formwork

COMMERCIAL ONLY Finot Wall Mounted
Lavatory with Lever Handles, 1.2gpm
(4.5L/min)

STYLE No. NLS320-1.2

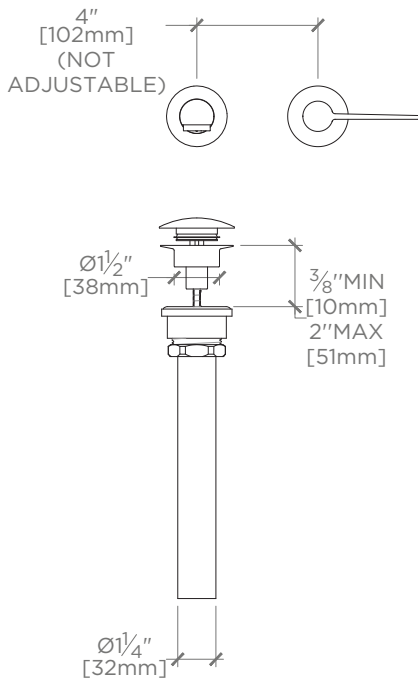
BASE STYLE No. NLS320

All dimensions are based on original specifications and are subject to change and variation. Please consult your Design Associate for current specifications.

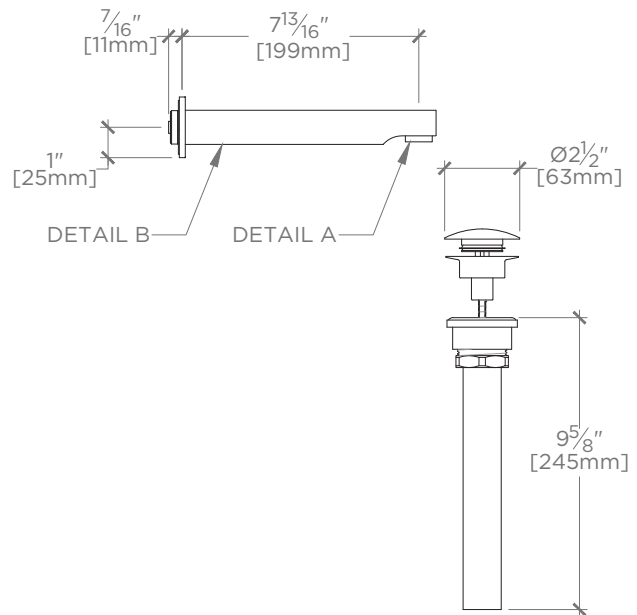


TOP VIEW

COMPLIANCE MARKINGS	
MANUFACTURER MARK ON PRODUCT (5MM MIN)	DETAIL A
CUPC ON PRODUCT	DETAIL B
FLOW RATE ON PRODUCT	DETAIL A
SECONDARY PACKAGE LABELS	<div style="display: flex; justify-content: space-between;"> <div style="text-align: center;"> <p>MAX FLOW RATE 1.2 GPM (4.5L/min)</p> <p>NSF/ANSI/CAN 61: Q ≤ 1</p> </div> <div style="text-align: center;"> <p>Meets EPA Criteria Certified by IAPMO R&T</p> </div> </div>
ADDITIONAL SECONDARY PACKAGE LABELS	<p>WARNING: This product can expose you to chemicals including lead and lead compounds, which are known to the State of California to cause cancer and birth defects or other reproductive harm. For more information go to www.P65Warnings.ca.gov.</p>



FRONT VIEW



SIDE VIEW

SPECIFICATIONS:

Fittings Hole Diameter: 1-3/8" [35mm]
 Drain Hole Diameter: 1-3/4" [44mm]
 Drain Style: Push Touch
 Handle Turn Angle: Quarter Turn
 Inlet Connection: 1/2" Female NPT
 Water Pressure: 85.0 psi [6.0 bar] **MAX**- 20.0 psi [1.5 bar] **MIN**
 Water Pressure Recommended: 45.0 psi [3.0 bar]
 Restricted Maximum Flow Rate: 1.2gpm (4.5L/min)

NOTES:

REQUIRED VALVE:
 STYLE No. GULV29

CODES & STANDARDS:

NSF/ANSI/CAN 61:Q < 1, ASME A112.18.1-2018/CSA B125.1-18, CEC, DOE, State of MA