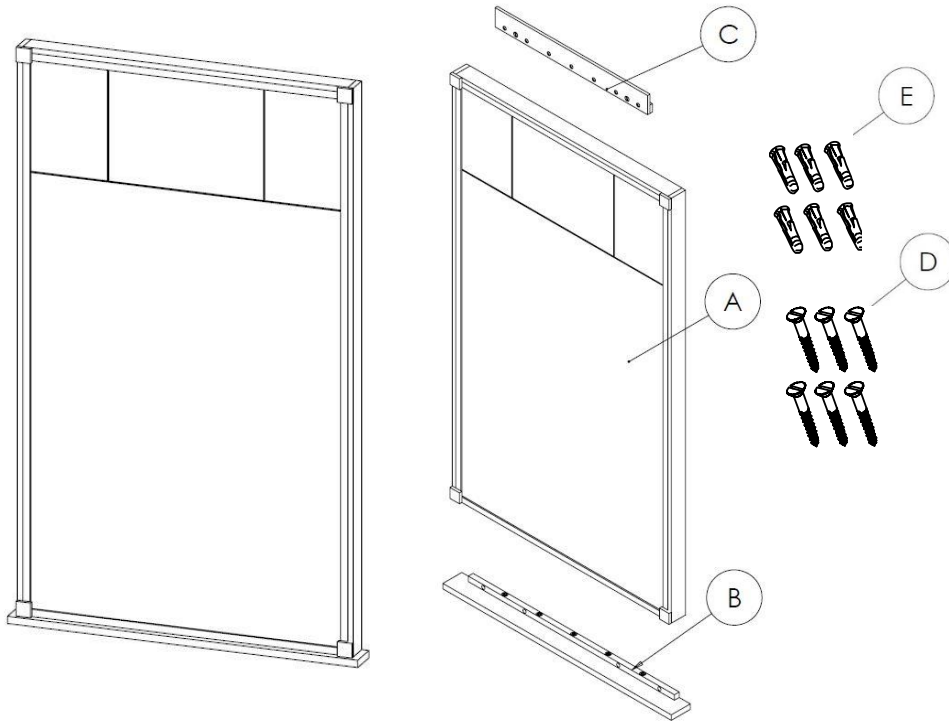


WATERWORKS INSTALLATION GUIDELINES

STYLE No. CAMR01

Camden Metal Wall Mounted Rectangular Mirror

39 1/4" x 24" x 2"



Parts Included:

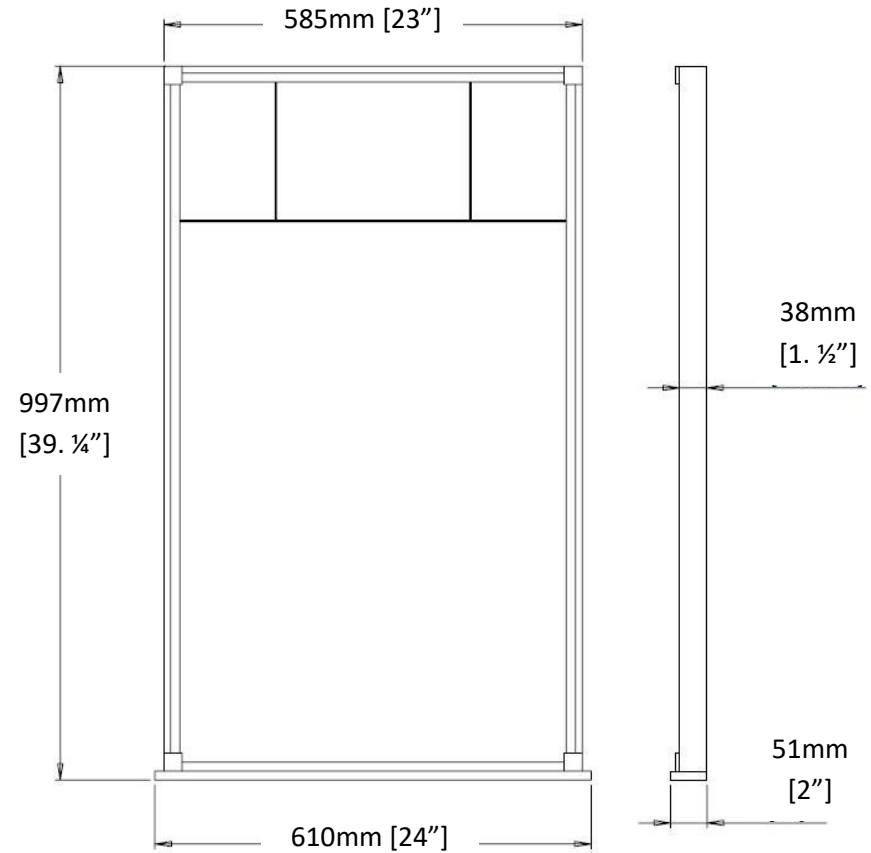
- A. 1 x Main Mirror Assembly
- B. 1 x Support Shelf
- C. 1 x Wall Hanger
- D. 8 x No. 8 2" Wall Screws
- E. 8 x Red Wall Anchors

TECHNICAL DETAILS:

DETAIL	SPECIFICATION
PRIMARY MATERIAL	Brass
WEIGHT	55lbs [25KG]

IMPORTANT:

- To ensure this product is installed properly, you must read and follow these guidelines.
- The owner/user of this product must keep this information for future reference.
- Install adequate blocking or position over a stud to properly secure the fixture.
- Inspect this product, upon receiving, to ensure it is the correct model and you have all parts required for proper installation.
- This product must be installed by a professional licensed contractor. Be sure your installation conforms to all federal, state, and local codes.
- Take all necessary precautions to ensure that this product is protected during installation.
- Before drilling the wall check for electric cables and pipes. Never drill above or below light switches or plug sockets.

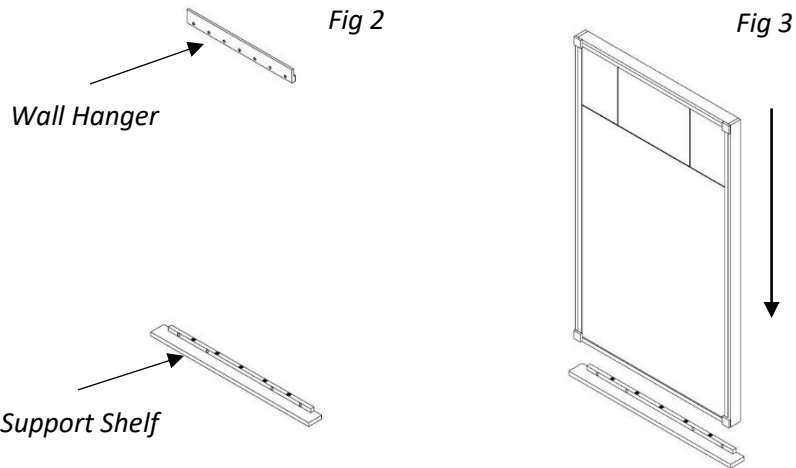
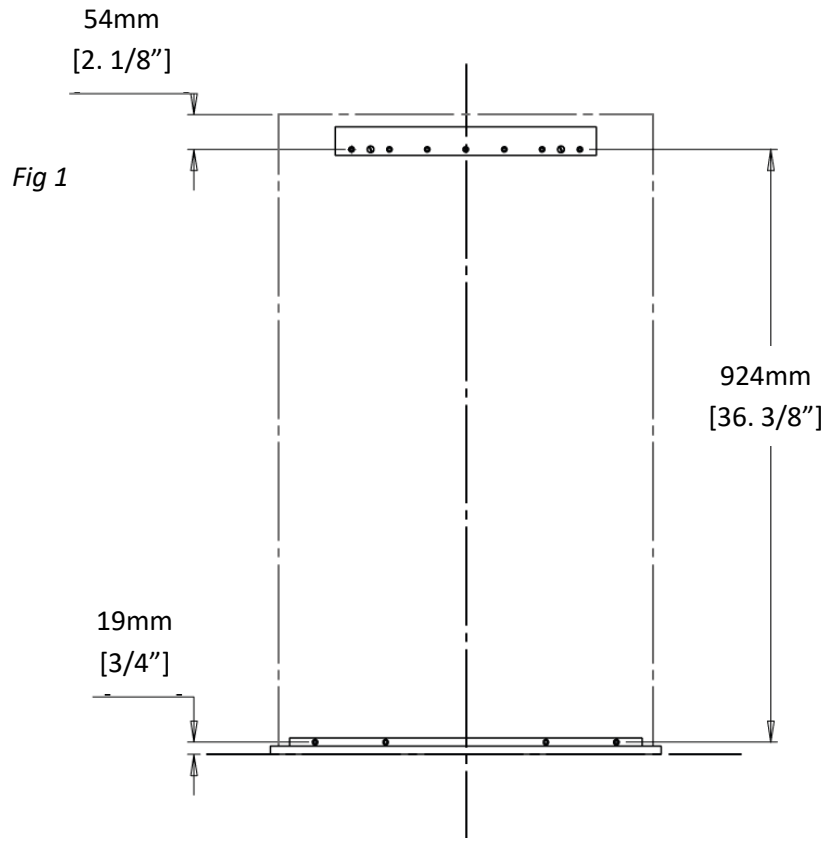


WATERWORKS INSTALLATION GUIDELINES

STYLE No. CAMR01

Camden Metal Wall Mounted Rectangular Mirror

39 1/4" x 24" x 2"



Tools needed:

Pencil, tape measure, spirit level and screwdriver or a standard drill.

Please note the below instructions and fixings provided are for a masonry wall. If you are installing to a plasterboard wall, partition, or any other wall, we recommend a timber battens or frame behind the wall for support as well as source any special screws or fixings needed.

Method of Installation

1. Using a tape measure, check the location where the mirror is to be installed. Be sure the mirror will fit in the desired location.
2. Place a soft surface like a towel underneath the working area to avoid damage to surfaces.
3. Mark with a pencil where the very bottom and center of the mirror need to be located.
4. Place the bottom of the *Support Shelf* on the wall and using a level to check that it is straight then mark the screw locations through the holes.
5. Using a drill and 7/32" drill bit, pre-drill the holes for the wall anchors. Lightly tap the wall anchors into place with a hammer.
6. Reposition the *Support Shelf* to the wall and secure with the screws provided. Check the level again to determine that it is straight and horizontal. (Fig 1)
7. From the bottom holes of the *Support Shelf* measure up 36 3/8" and mark this spot for the bottom of the *Wall Hanger*. Alternatively mark 2 1/8" from the top of the mirror.
8. Place the *Wall Hanger* on to wall and proceed to mark through the holes checking it is straight with a level. Then secure the *Wall Hanger* with the screws provided. (Fig 2)
9. Carefully place the mirror onto the installed *Wall Hanger* (two people recommended). The mirror should sit on the *Support Shelf* before bottoming out on the *Wall Hanger* providing the correct support for the mirror.
10. The mirror can then be adjusted side to side by gently sliding the mirror along the *Wall Hanger* to ensure the mirror is centered. (Fig 3)