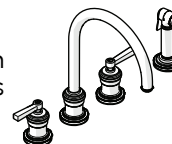


# INSTALLATION GUIDELINES



STYLE No. AEKM20

Aero Three Hole Gooseneck Kitchen Faucet with Elevated Metal Cross Handles and Spray



STYLE No. AEKM30

Aero Three Hole Gooseneck Kitchen Faucet with Elevated Metal Lever Handles and Spray

**IMPORTANT:**

- To ensure this product is installed properly, you must read and follow these guidelines.
- The owner/user of this product must keep this information for future reference.
- This product must be installed by a professional licensed contractor.
- Be sure your installation conforms to federal state, and local codes. In the State of Massachusetts, all installations must comply with the rules and regulations set forth within 248 CMR.
- Inspect this product to ensure you have all the parts required for proper installation. Product is sold partially assembled but shown fully disassembled for illustrative and service purposes only.
- Use only a strap wrench or protected/smooth-jaw wrench on any finished surface.
- The use of certain plumber’s putty may stain stone or tile surfaces.
- If further assistance is required, please contact Product Support at 1-800-927-2120 Monday through Friday, 8am - 6pm EST.
- Refer to the separate Service Parts Documents for available replacement parts.

**TECHNICAL DETAILS:**

DETAIL	SPECIFICATION
ADJUSTABLE VERSUS FIXED SPRAY	FIXED
DECK THICKNESS MAXIMUM	1-1/16” [27mm]
FITTINGS HOLE DIAMETER	1-3/8” [35mm]
HANDLE SPREAD	8” [203mm] MIN 12” [305mm] MAX
HANDLE TURN ANGLE	QUARTER TURN
INLET CONNECTION	1/2” MALE WITH SUPPLY NUT
SPOUT REACH	9-1/16” [230mm]
SPOUT SWIVEL	YES
SPRAY HOSE LENGTH	49” [1.25m]
SPRAY INCLUDED IN UNIT	YES
WATER PRESSURE RANGE	20psi [1.5 bar] MIN 85psi [6.0 bar] MAX
WATER PRESSURE RECOMMENDED	45psi [3.0 bar]

# WATERWORKS

## INSTALLATION GUIDELINES



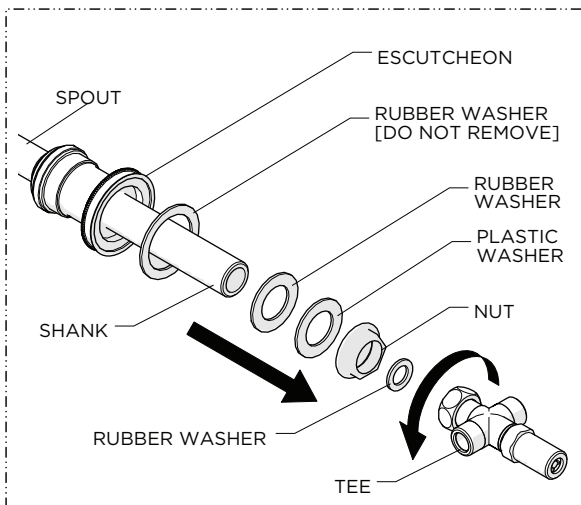
STYLE No. AEKM20

Aero Three Hole Gooseneck Kitchen Faucet with Elevated Metal Cross Handles and Spray



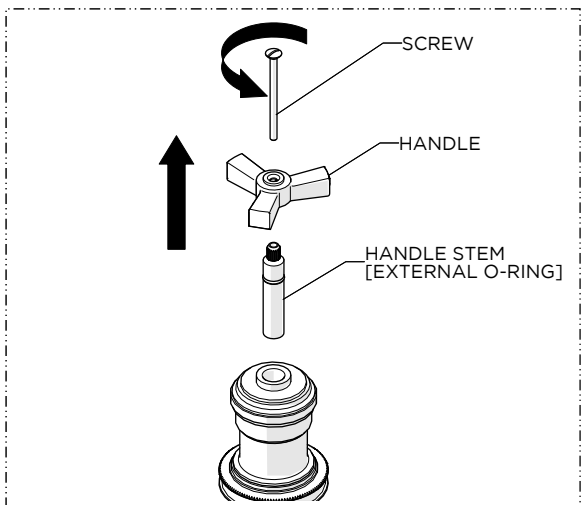
STYLE No. AEKM30

Aero Three Hole Gooseneck Kitchen Faucet with Elevated Metal Lever Handles and Spray



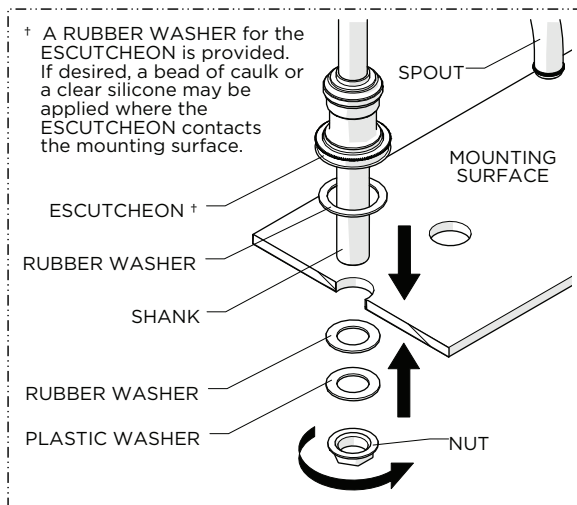
1. Unthread and remove the TEE, NUT, and lower deck WASHERS from SHANK.

**NOTE:** Do NOT remove the RUBBER WASHER beneath the ESCUTCHEON.

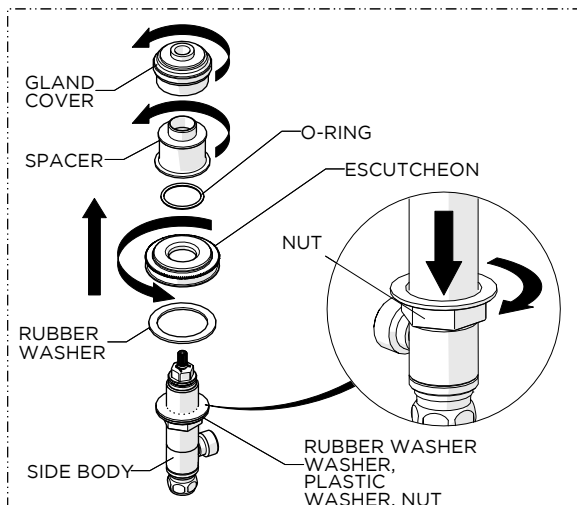


4. Carefully unthread the FINISHED SCREW then pull the HANDLE and the HANDLE STEM up.

**NOTE:** Do NOT remove the O-RING from the HANDLE STEM

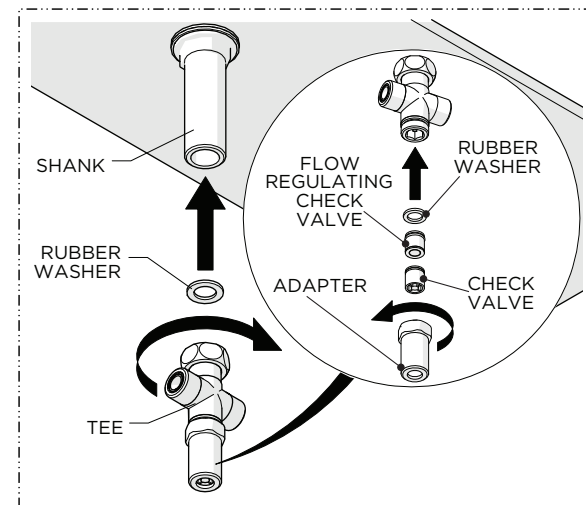


2. Insert the SPOUT through the hole on the mounting surface making sure the RUBBER WASHER provided is beneath the ESCUTCHEON then re-install the lower deck WASHERs and securely tighten the NUT.



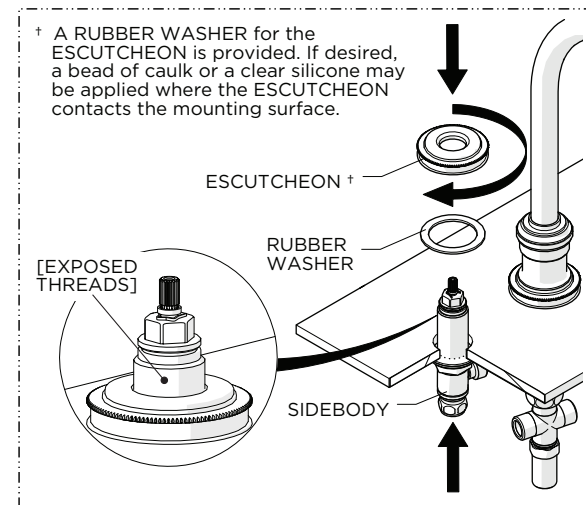
5. Remove the GLAND COVER, SPACER, O-RING, and ESCUTCHEON from the SIDE BODY then fully thread the NUT down.

**NOTE:** Do NOT remove the lower deck WASHERS.



3. Using the RUBBER WASHER provided, thread and securely tighten the TEE back onto the SHANK.

**NOTE:** 2 CHECK VALVES, 1 flow regulating, are located inside the ADAPTER at the base of the TEE.



6. Using the RUBBER WASHER provided, thread the ESCUTCHEON back onto the SIDE BODY then let it rest on the mounting surface.

**NOTE:** Leave some exposed threads above the ESCUTCHEON.

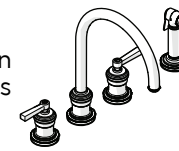
# WATERWORKS

## INSTALLATION GUIDELINES



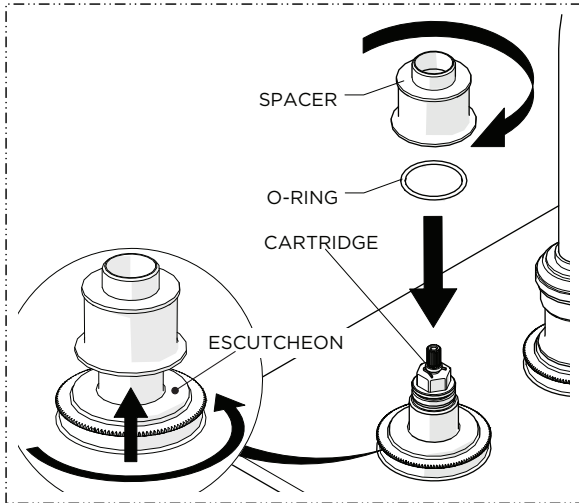
STYLE No. AEKM20

Aero Three Hole Gooseneck Kitchen Faucet with Elevated Metal Cross Handles and Spray

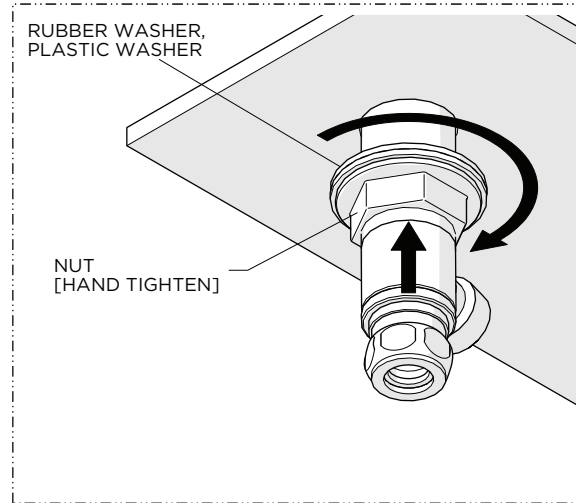


STYLE No. AEKM30

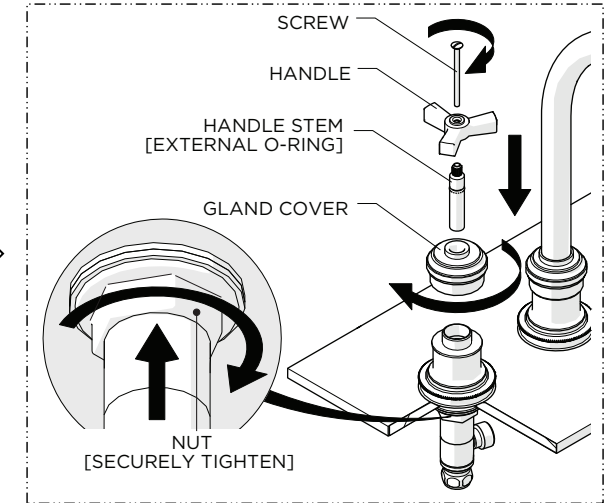
Aero Three Hole Gooseneck Kitchen Faucet with Elevated Metal Lever Handles and Spray



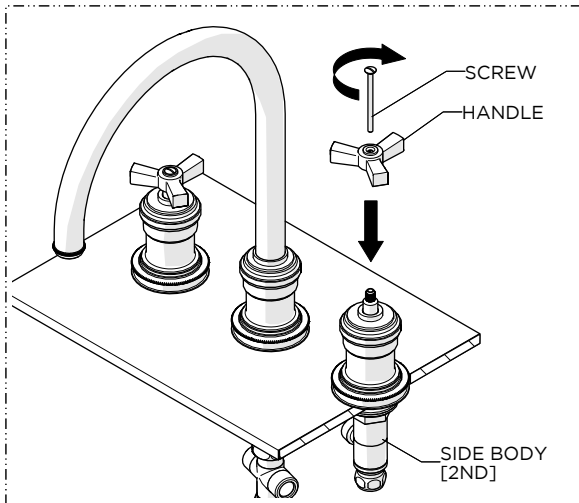
7. Making sure the O-RING provided is beneath the SPACER, thread the SPACER onto the CARTRIDGE until it stops then unthread the ESCUTCHEON until it contacts the SPACER.



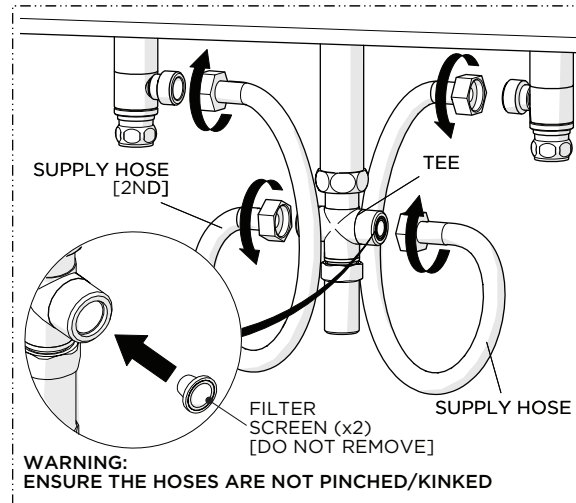
8. Hand-tighten the NUT against the underside of the mounting surface.  
**NOTE:** Do NOT over-tighten the NUT to allow for proper handle alignment during the HANDLE installation.



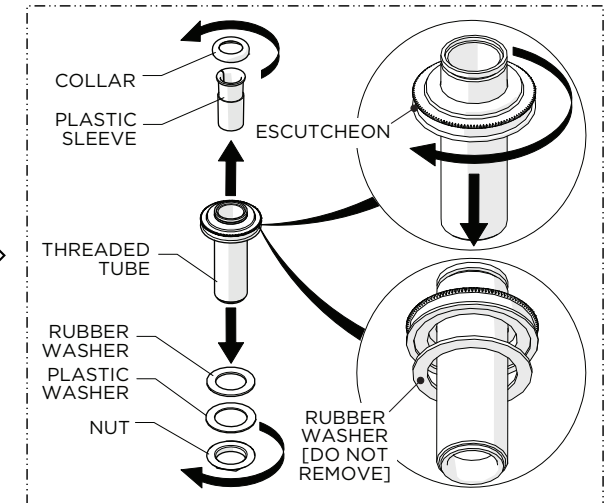
9. Thread the GLAND COVER onto the SPACER, fully insert the HANDLE STEM, and place the HANDLE onto the STEM then thread and securely tighten the SCREW. Ensure the HANDLE is in the desired orientation then securely tighten the NUT.



10. Repeat Steps 4 through 9 to install the second (2<sup>nd</sup>) HANDLE.



11. Connect the SIDEBODIES to the TEE using the SUPPLY HOSES provided. Securely tighten the HOSES and ensure they are not pinched/kinked.  
**WARNING:** ENSURE THE HOSES ARE NOT PINCHED/KINKED  
**NOTE:** The TEE inlets contain FILTER SCREENS.



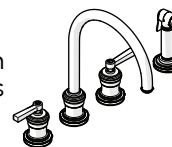
12. Unthread and remove the COLLAR, PLASTIC SLEEVE, NUT and WASHERS from the THREADED TUBE then partially unthread the ESCUTCHEON.  
**NOTE:** Do NOT remove the RUBBER WASHER beneath ESCUTCHEON.

# INSTALLATION GUIDELINES



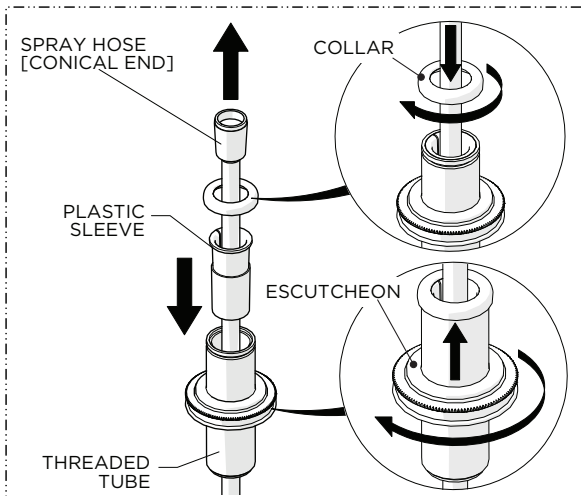
STYLE No. AEKM20

Aero Three Hole Gooseneck Kitchen Faucet with Elevated Metal Cross Handles and Spray

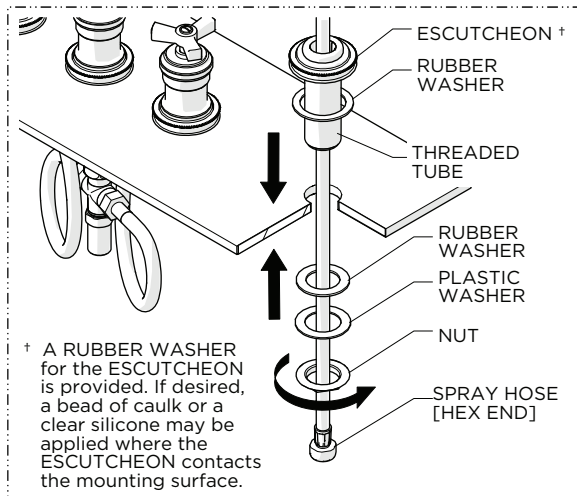


STYLE No. AEKM30

Aero Three Hole Gooseneck Kitchen Faucet with Elevated Metal Lever Handles and Spray

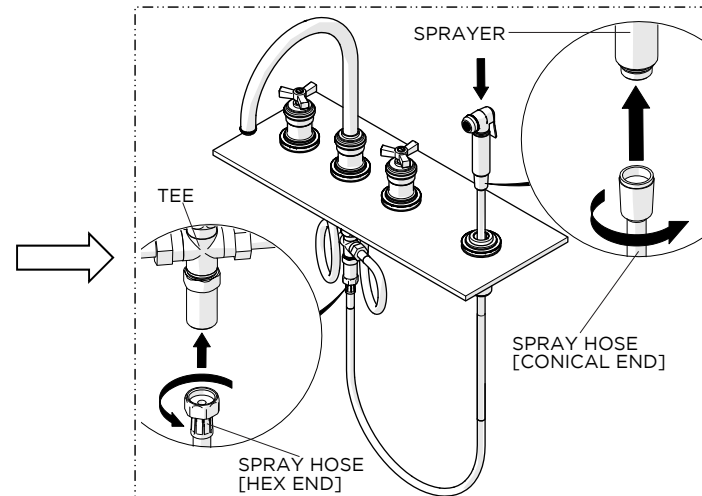


13. Insert the SPRAY HOSE through the THREADED TUBE, PLASTIC SLEEVE and COLLAR then insert the SLEEVE into the TUBE. Thread and securely tighten the COLLAR onto the TUBE then thread the ESCUTCHEON up until it stops.

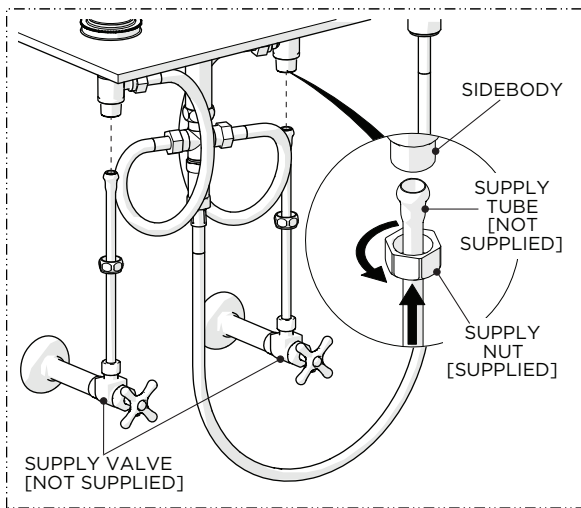


14. Insert the HOSE and THREADED TUBE through the hole on the mounting surface making sure the RUBBER WASHER provided is beneath the ESCUTCHEON then re-install the WASHERS and securely tighten the NUT.

† A RUBBER WASHER for the ESCUTCHEON is provided. If desired, a bead of caulk or a clear silicone may be applied where the ESCUTCHEON contacts the mounting surface.

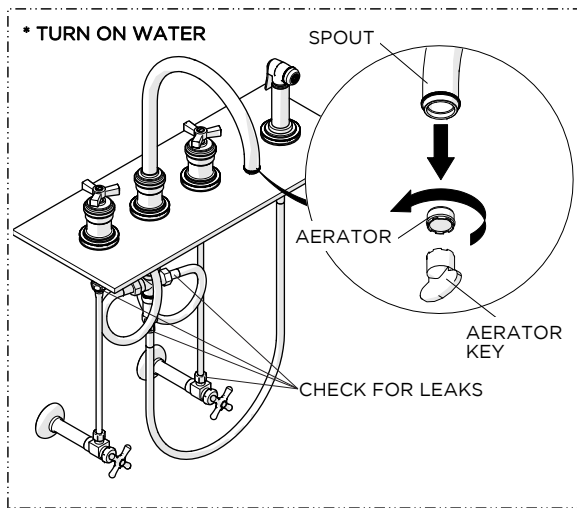


15. Thread and securely tighten the SPRAY HOSE [conical end] onto the SPRAYER and insert the HOSE into the PLASTIC SLEEVE until it stops then thread and securely tighten the HOSE [hex end] onto the TEE.



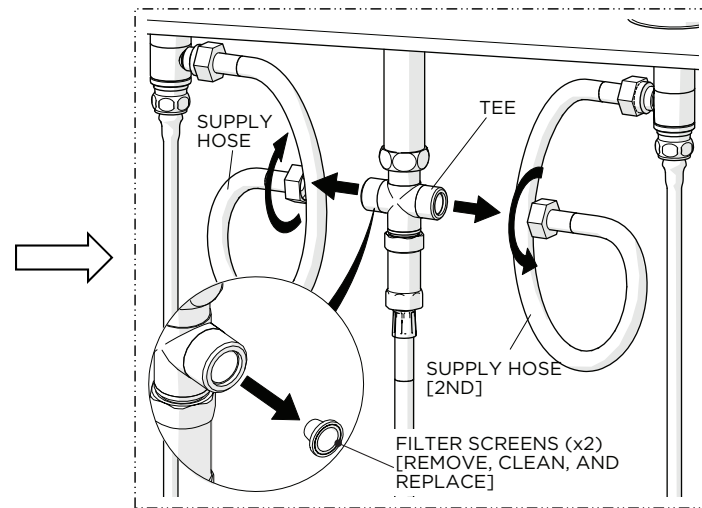
16. Make final SUPPLY VALVE (sold separately) connections.

**NOTE:** Make sure the SPRAY HOSE is **NOT** obstructed and can move freely.



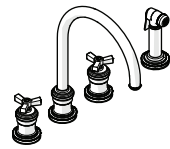
17. Unthread and remove the AERATOR then turn on the water to flush out any debris in the supply lines and inspect all connections for leaks.

**CAUTION:** Flush out the supply lines prior to operating the SPRAYER.



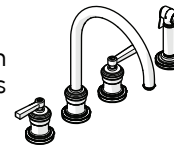
18. Turn off the water and unthread both the SUPPLY HOSES from the TEE to remove and clean the FILTER SCREENS then re-install the SCREENS and HOSES.

INSTALLATION GUIDELINES



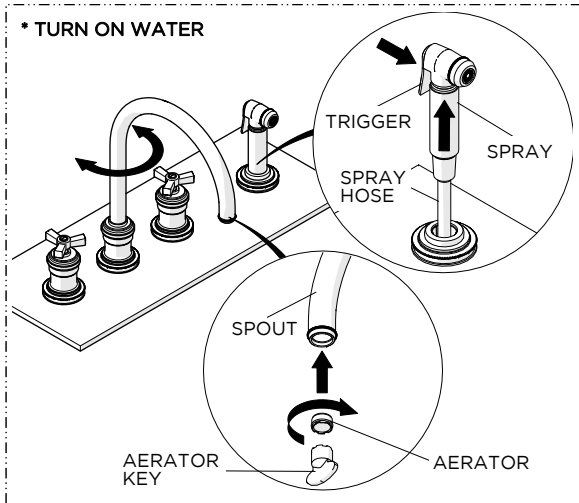
STYLE No. AEKM20

Aero Three Hole Gooseneck Kitchen Faucet with Elevated Metal Cross Handles and Spray

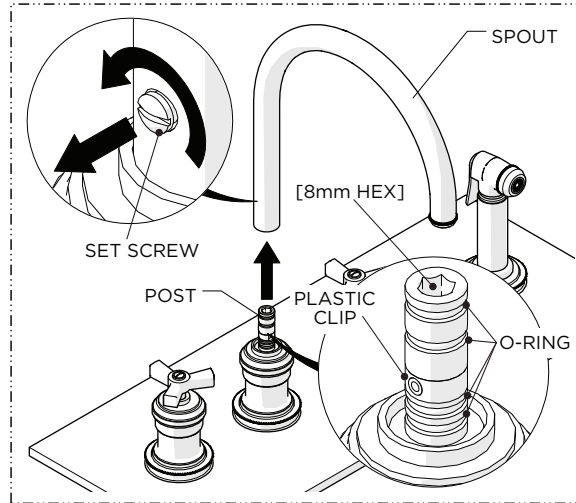


STYLE No. AEKM30

Aero Three Hole Gooseneck Kitchen Faucet with Elevated Metal Lever Handles and Spray

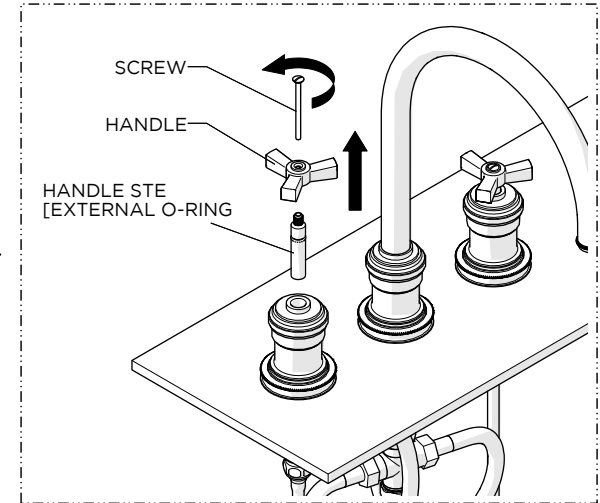


19. Re-install the AERATOR then turn on water and operate the SPOUT and SPRAY to ensure they operate and function properly.  
**NOTE:** 2-3 Seconds of residual water is typical on large gooseneck faucets.



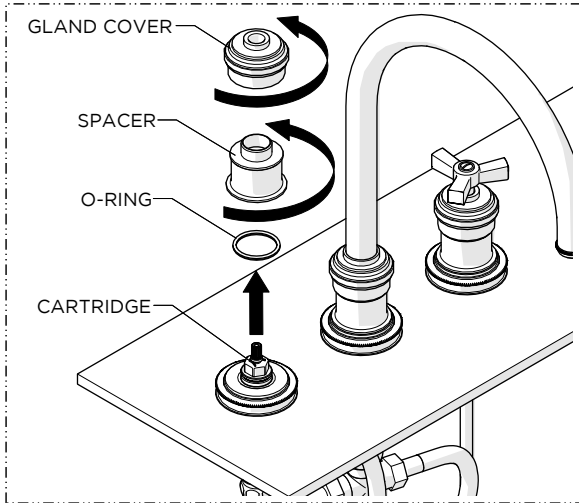
**SERVICING THE SPOUT**

1. Loosen but do NOT remove the SET SCREW on the back of the SPOUT then pull the SPOUT up to expose the POST.

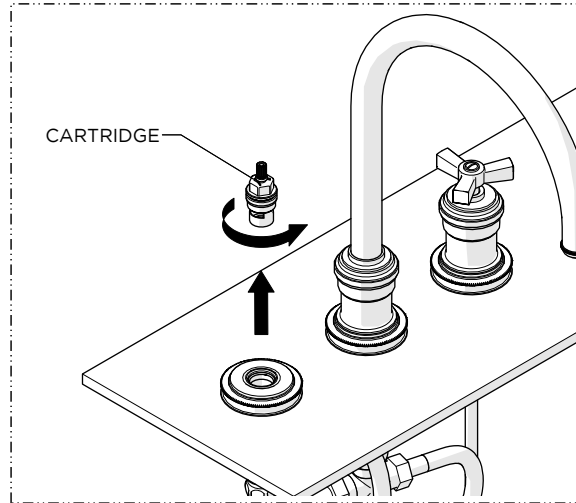


**SERVICING THE CARTRIDGE:**

1. Unthread and remove the SCREW then pull off the HANDLE and HANDLE STEM.



2. Unthread and remove the GLAND COVER, SPACER, and O-RING.



3. Unthread and remove the CARTRIDGE using a 21/32" [17mm] shower valve socket wrench (not supplied).