

# INSTALLATION GUIDELINES



**STYLE No. FMKM40**  
Formwork Three Hole Gooseneck Kitchen Faucet with Metal Knob Handles and Spray



**STYLE No. FMKM50**  
Formwork Three Hole Gooseneck Kitchen Faucet with Metal Lever Handles and Spray

**IMPORTANT:**

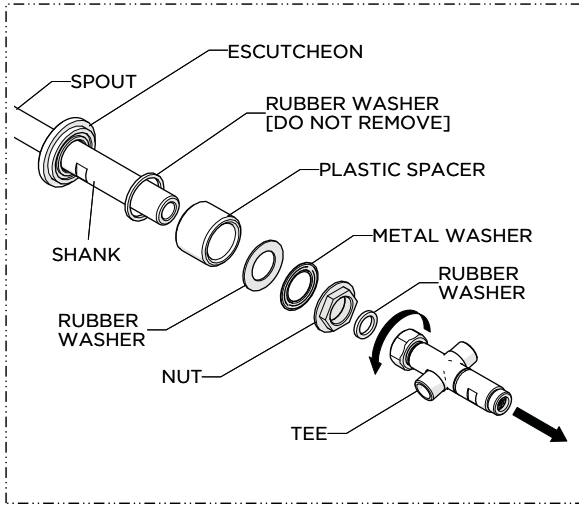
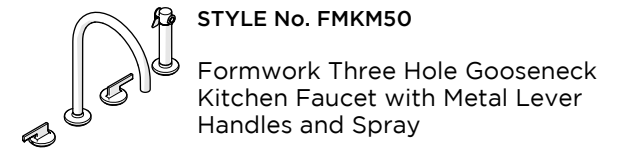
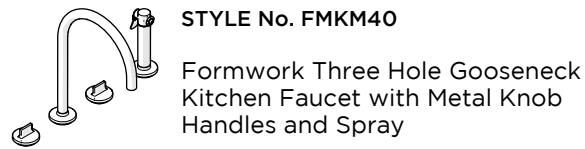
- To ensure this product is installed properly, you must read and follow these guidelines.
- The owner/user of this product must keep this information for future reference.
- This product must be installed by a professional licensed contractor.
- Be sure your installation conforms to federal, state, and local codes. In the State of Massachusetts, all installations must comply with the rules and regulations set forth within 248 CMR.
- Inspect this product to ensure you have all the parts required for proper installation. Product is sold partially assembled but shown fully disassembled for illustrative and service purposes only.
- Use only a strap wrench or protected/smooth-jaw wrench on any finished surface.
- The use of certain plumber’s putty may stain stone or tile surfaces.
- If further assistance is required, please contact Product Support at 1-800-927-2120 Monday through Friday, 8am - 6pm EST.
- Refer to the separate Service Parts Documents for available replacement parts.

**TECHNICAL DETAILS:**

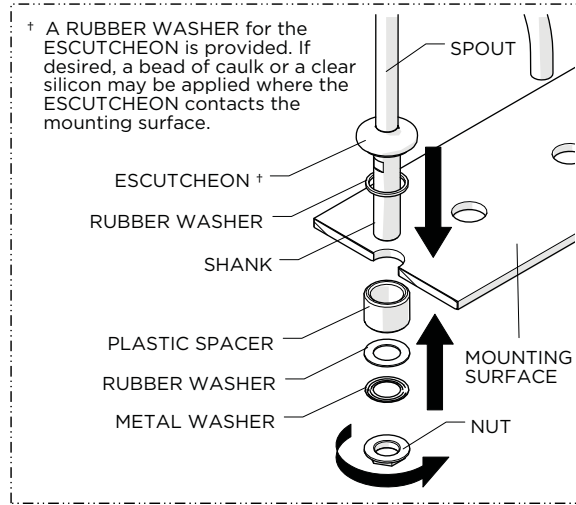
DETAIL	SPECIFICATION
ADJUSTABLE VERSUS FIXED SPRAY	FIXED
DECK THICKNESS	5/16" [8mm] MIN - 1-5/16" [33mm] MAX
FITTINGS HOLE DIAMETER (HANDLES AND SPOUT ONLY)	Ø1-1/4" [32mm]
FITTINGS HOLE DIAMETER (SPRAY ONLY)	Ø1-3/8" [35mm]
HANDLE SPREAD	8" [203mm] MIN - 12" [305mm] MAX
HANDLE TURN ANGLE	QUARTER TURN
INLET CONNECTION TYPE	1/2" MALE WITH SUPPLY NUT
RESTRICTED MAXIMUM FLOW RATE	2.2gpm [8.3L/min]
SPOUT REACH	8-7/16" [215mm]
SPOUT SWIVEL	YES
SPRAY HOSE LENGTH	59" [1.5m]
SPRAY INCLUDED	YES
WATER PRESSURE RANGE	20psi [1.5 bar] MIN - 85psi [6.0 bar] MAX
WATER PRESSURE RECOMMENDED	45psi [3.0 bar]

# WATERWORKS

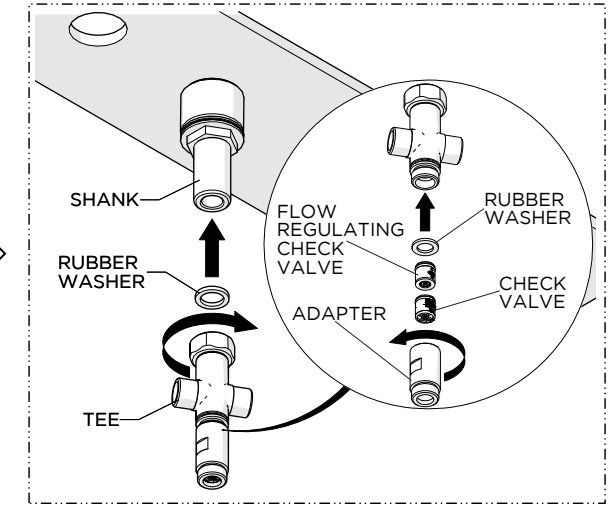
## INSTALLATION GUIDELINES



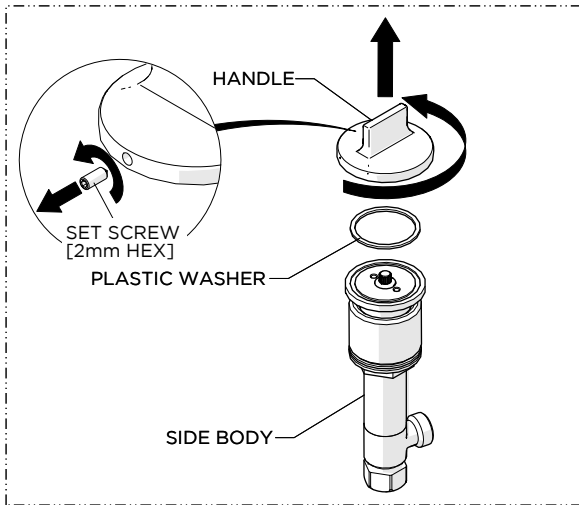
1. Unthread and remove the TEE, NUT, lower deck WASHERS, and PLASTIC SPACER from the SHANK.  
**NOTE:** Do **NOT** remove the RUBBER WASHER beneath the ESCUTCHEON.



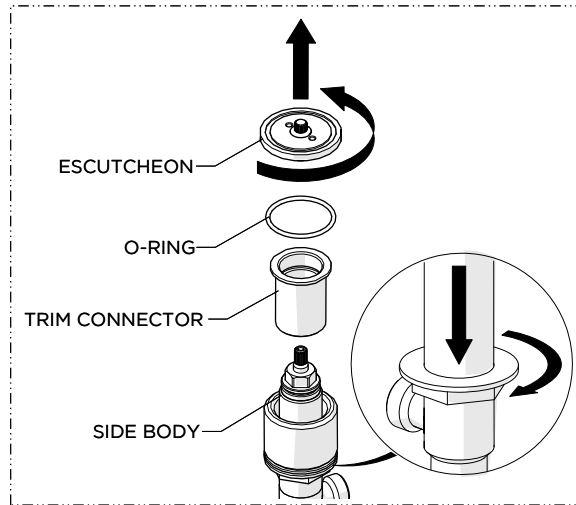
2. Insert the SPOUT through the hole on the mounting surface making sure the RUBBER WASHER provided is beneath the ESCUTCHEON then re-install the PLASTIC SPACER, WASHERS and securely tighten the NUT.



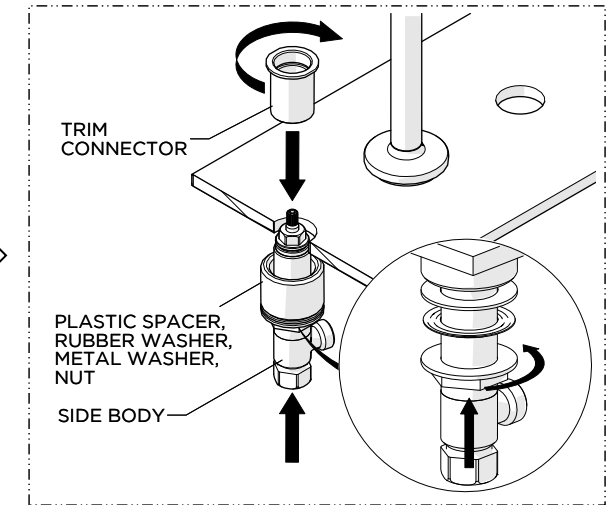
3. Using the RUBBER WASHER provided, thread and securely tighten the TEE back onto the SHANK.  
**NOTE:** 2 CHECK VALVES, 1 flow regulating, are located inside the ADAPTER at the base of the TEE.



4. Loosen, but do **NOT** remove, the SET SCREW using a 2mm HEX KEY then remove the HANDLE and the PLASTIC WASHER beneath.

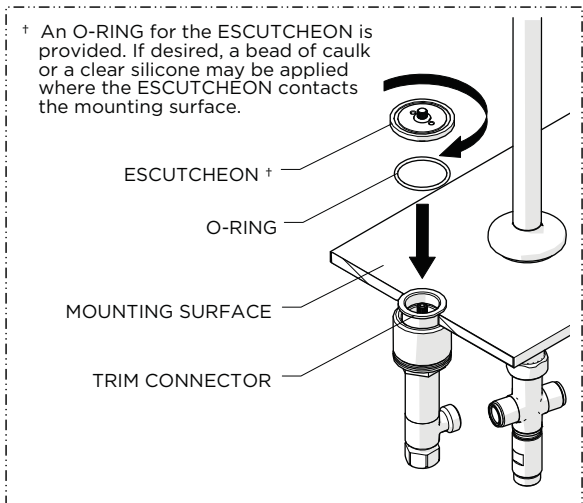
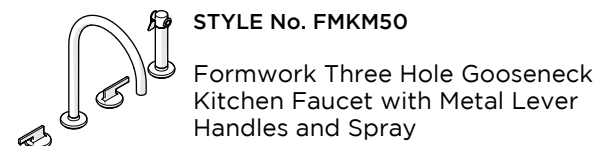
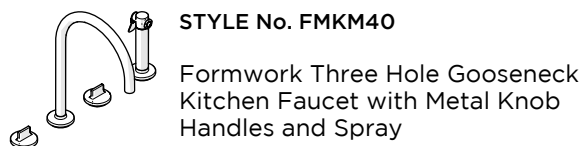


5. Unthread and remove the ESCUTCHEON and the O-RING beneath the TRIM CONNECTOR and fully thread the NUT down the SIDEBODY.

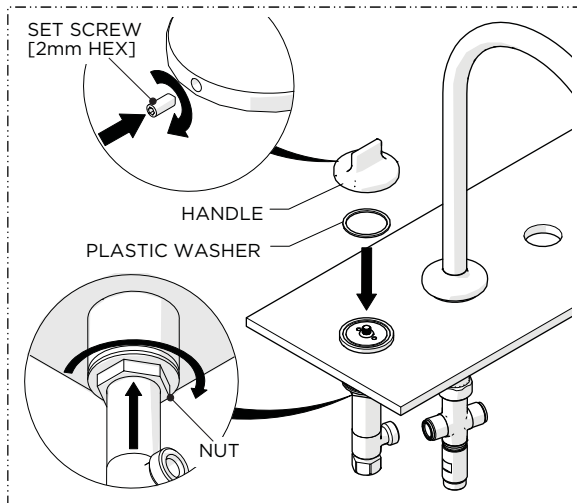


6. Thread the TRIM CONNECTOR onto the SIDE BODY until it stops and let it rest on the mounting surface then hand-tighten the NUT against the underside of the mounting surface.  
**CAUTION:** Do **NOT** over-tighten the NUT to allow for proper handle alignment during HANDLE installation.

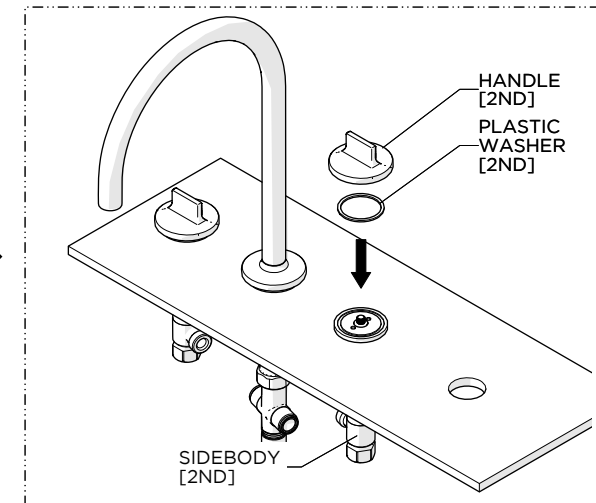
# INSTALLATION GUIDELINES



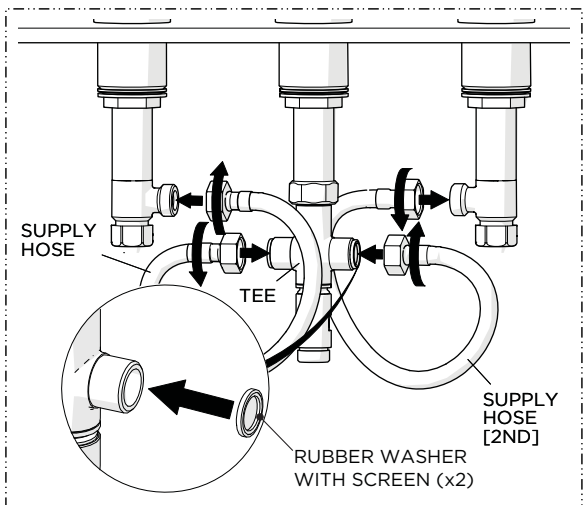
7. Thread and securely tighten the ESCUTCHEON into the TRIM CONNECTOR making sure the O-RING is beneath the ESCUTCHEON.



8. Re-attach the PLASTIC WASHER and HANDLE then securely tighten the SET SCREW. Ensure the HANDLE is in the desired orientation then securely tighten the NUT on the SIDEBODY.

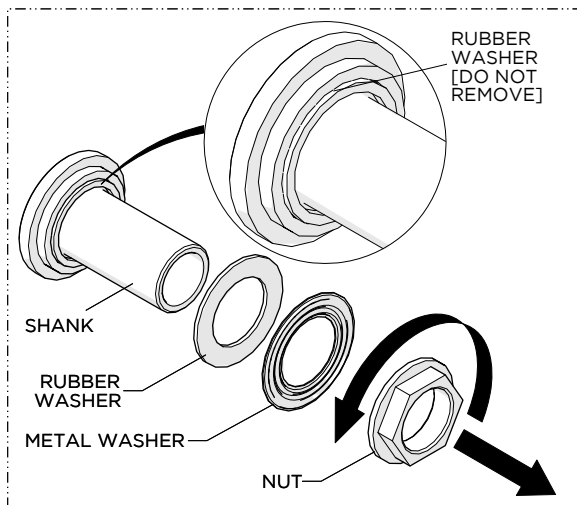


9. Repeat Steps 4 through 8 to install the second HANDLE.



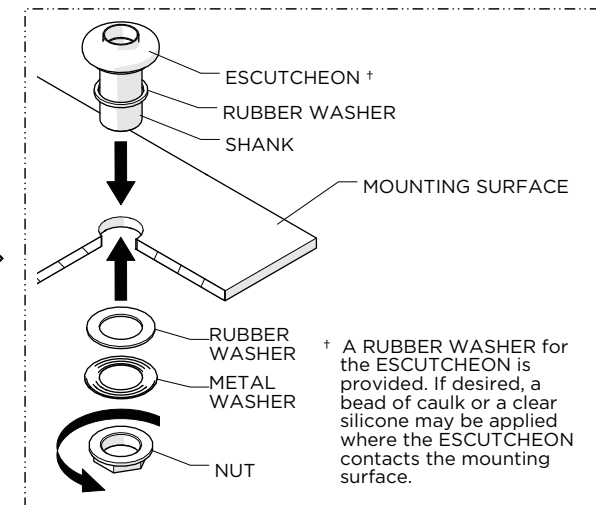
10. Connect the SIDEBODIES to the TEE using the SUPPLY HOSES provided. Securely tighten the HOSES and ensure they are not pinched/kinked.

**NOTE:** Make sure to include the RUBBER WASHERS WITH SCREENS provided on both sides of the TEE.



11. Unthread and remove the NUT, METAL WASHER, and RUBBER WASHER from the SPRAY RETURN SHANK.

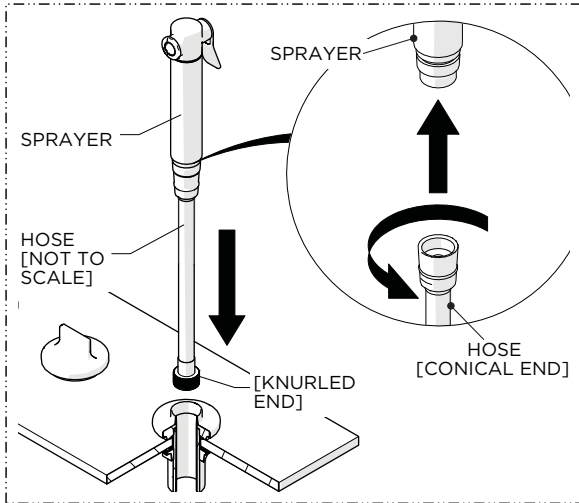
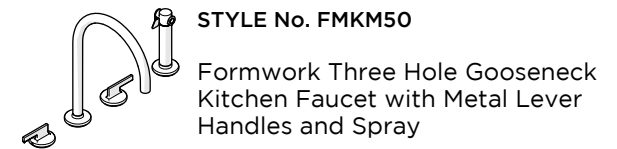
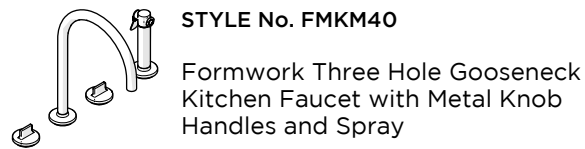
**NOTE:** Do **NOT** remove the RUBBER WASHER beneath the ESCUTCHEON.



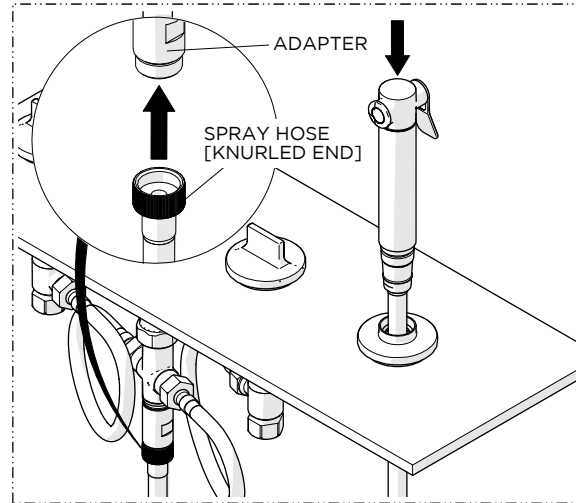
12. Insert the SHANK through the hole on the mounting surface making sure the RUBBER WASHER provided is beneath the ESCUTCHEON then re-install the WASHERS and securely tighten the NUT.

# WATERWORKS

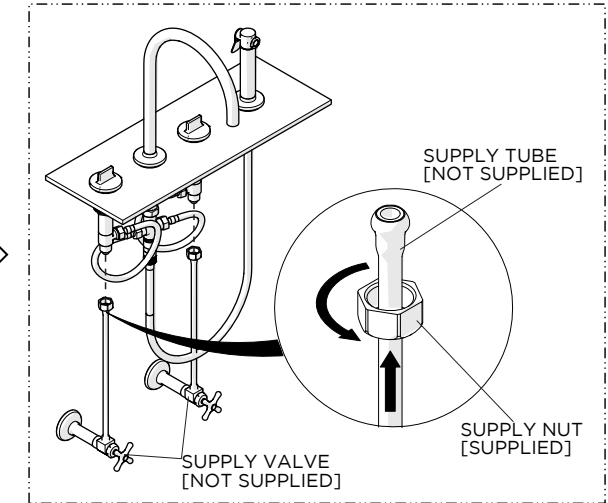
## INSTALLATION GUIDELINES



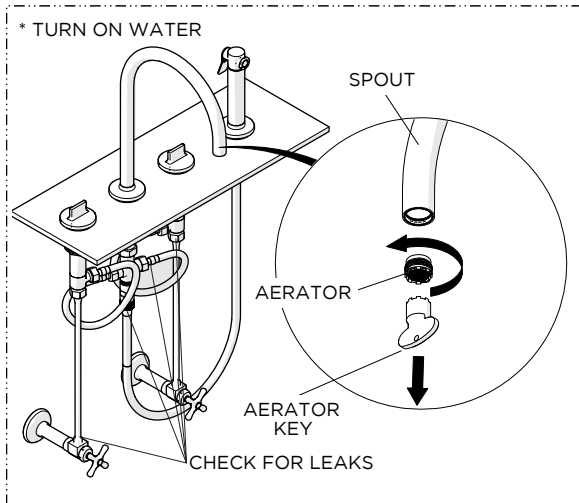
13. Thread and securely tighten the **conical end** of the HOSE to the SPRAYER then insert the **knurled end** of the HOSE through the ESCUTCHEON and SHANK.



14. Insert the SPRAYER into the ESCUTCHEON until it stops then thread and securely tighten the **knurled end** of the HOSE to the TEE.

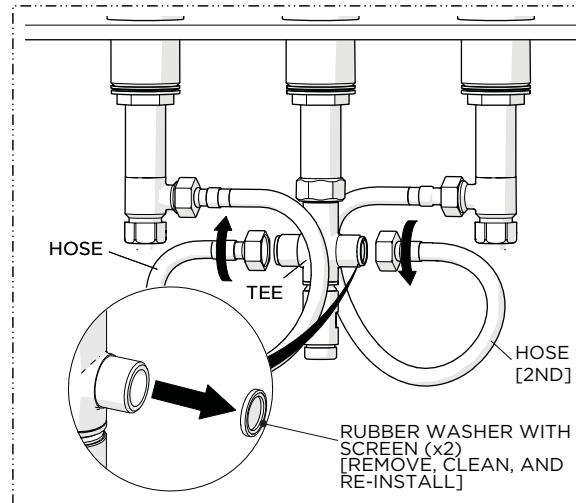


15. Make final SUPPLY VALVE [sold separately] connections.

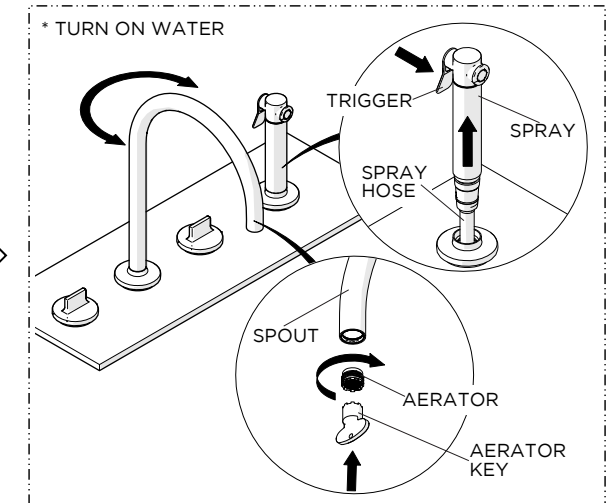


16. Unthread and remove the AERATOR using the AERATOR KEY provided then turn on the water to flush out any debris in the supply lines and inspect all connections for leaks.

**CAUTION:** Flush out the supply lines prior to operating the SPRAYER.



17. Turn off the water and unthread both the SUPPLY HOSES from the TEE to remove and clean the RUBBER WASHER WITH SCREENS then re-install the WASHERS and HOSES.



18. Re-install the AERATOR then turn on the water and operate the SPRAY and SPOUT to ensure they operate and function properly.

**NOTE:** 2-3 Seconds of residual water is typical on large gooseneck faucets.

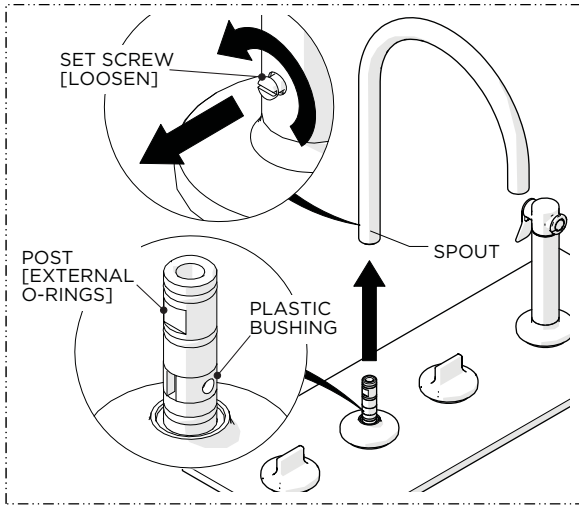
# INSTALLATION GUIDELINES



**STYLE No. FMKM40**  
Formwork Three Hole Gooseneck Kitchen Faucet with Metal Knob Handles and Spray



**STYLE No. FMKM50**  
Formwork Three Hole Gooseneck Kitchen Faucet with Metal Lever Handles and Spray



## SERVICING THE SPOUT:

1. Loosen, but do **NOT** remove, the SET SCREW at the base of the SPOUT then remove the SPOUT to expose to POST and external O-RINGS.