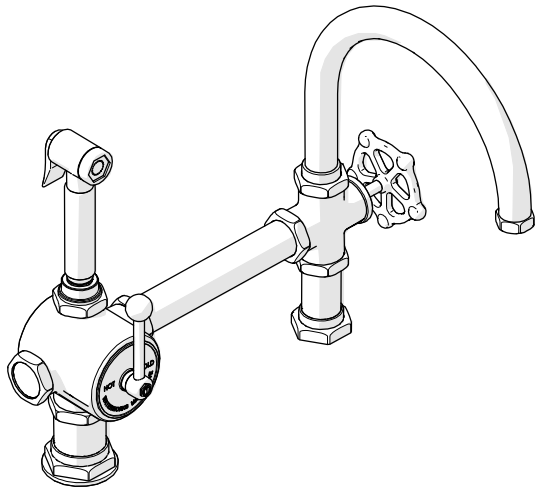


STYLE No. RGKM20[†]



SPECIFICATIONS:

Deck Thickness Maximum: 2" [51mm]
 Fittings Hole Ø [Temperature Valve]: Ø2-1/4" [57mm]
 Fittings Hole Ø [Spout]: Ø1-3/4" [44mm]
 Handle Turn Angle: Quarter Turn
 Inlet Connection: 3/8" Compression Connection Hoses[†]
 Integrated Diverter: Yes
 Restricted Maximum Flow Rate: 2.2gpm [8.3liters/min] ‡
 Spout Reach: 10" [254mm]
 Spout Swivel: Yes
 Spray Hose Length: 79"
 Water Pressure: 20psi [1.5 Bar] MIN - 85psi [6.0 Bar] MAX
 Water Pressure Recommended: 45 psi [3.0 Bar]

† UK Style No. **RG20KM** is supplied with 2 **BSP** adapters, assembly required.

‡ Both spout and spray are flow regulated at 2.2gpm.

IMPORTANT:

- To ensure this product is installed properly, you must read and follow these guidelines.
- The owner/user of this product must keep this information for future reference.
- This product must be installed by a professional licensed contractor. Be sure your installation conforms to all federal, state, and local codes. In the State of Massachusetts, all installations must comply with the rules and regulations set forth within 248 CMR.
- Inspect the product to ensure you have all the parts required for proper installation. Use only a strap wrench or protected/smooth-jaw wrench on any finished surface.
- Refer to the specification and assembly drawings attached. Product is sold partially assembled but shown fully disassembled for illustrative and service purposes only.
- The use of certain plumber's putty may stain stone or tile surfaces.

- This product requires 2 holes on the mounting surface. The Temperature Valve requires a Ø2-1/4" [57mm] hole. The Spout requires a Ø1-3/4" [44mm] hole. The Spout can be installed on either the left or right side of the Temperature Valve. The TUBE can be cut to accommodate different on-center spreads. The max on-center spread is 12" [305mm].

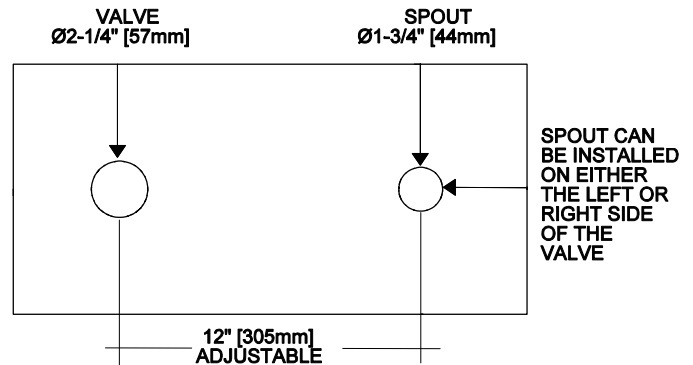


FIGURE - 01

TEMPERATURE VALVE INSTALLATION:

- The TEMPERATURE VALVE only mixes hot and cold water. It does not have a volume/on/off function.
- See Figure - 02 for steps 1 - 4.

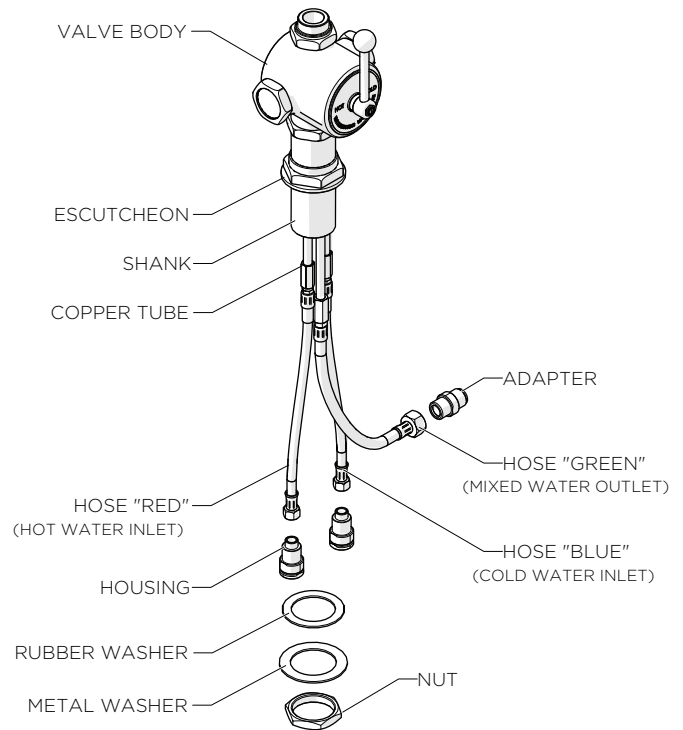


FIGURE - 02

1. Remove the ADAPTER and CHECK VALVE HOUSINGS from the HOSES on the TEMPERATURE VALVE BODY.

These guidelines have been prepared for the professional contractor to aid in the installation of:
REGULATOR GOOSENECK SINGLE SPOUT KITCHEN FAUCET WITH METAL WHEEL HANDLE AND SPRAY (STYLE No. RGKM20, RG20KM UK)
 All dimensions are based on original specification and are subject to change and variation.
 Please consult your Design Associate for current specifications.

2. Remove the NUT, METAL WASHER, and RUBBER WASHER from the SHANK on the VALVE BODY. Do **NOT** remove the O-RING beneath the ESCUTCHEON.

3. Ensure that the COPPER TUBES and HOSES are securely tightened, then insert the SHANK through the $\text{\O}2\text{-}1/4"$ [57mm] hole on the mounting surface making sure the O-RING is beneath the ESCUTCHEON.

NOTE: The HOSES are marked with colored ZIP TIES to identify their function, **RED** for incoming hot supply water, **BLUE** for incoming cold supply water and **GREEN** for outgoing mixed water.

4. Re-install the RUBBER WASHER, METAL WASHER and NUT onto the SHANK and securely tighten the NUT to secure the VALVE BODY to the mounting surface.

5. Insert the TUBE into the TEMPERATURE VALVE BODY, making sure the O-RING and NUT are attached properly. Do **NOT** tighten the NUT. The flanged end of the TUBE must be on the outside. See FIGURE - 03.

➤ **NOTE:** Depending on the desired location of the SPOUT, the NUT and COVER may need to be removed from the VALVE BODY and installed on the opposite side.

➤ **NOTE:** The TUBE is aesthetic only and does **NOT** hold or carry water. The TUBE can be cut to accommodate different on-center spreads. The max on-center spread is 12" [305mm].

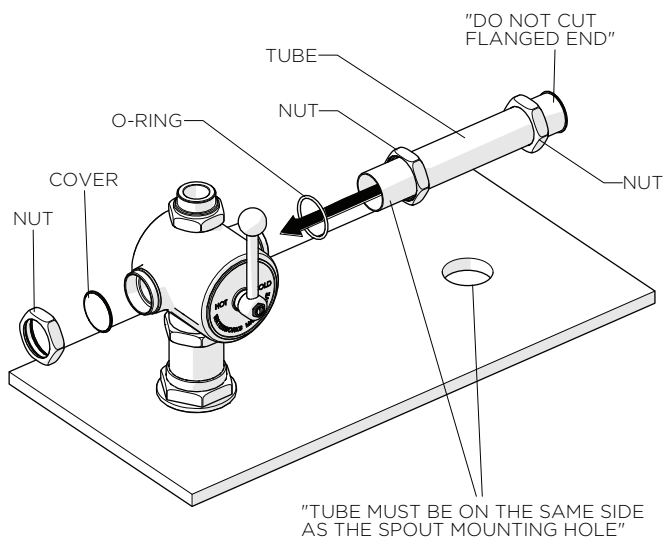


FIGURE - 03

SPOUT(S) INSTALLATION:

- The SPOUT only has a volume/on/off control function.
- See Figure - 04 for steps 6 - 7.

6. Remove the NUT, METAL WASHER, and RUBBER WASHER from the SHANK. Do **NOT** remove the O-RING beneath the ESCUTCHEON.

7. Ensure that the HOSES are securely tightened to the SPOUT, then insert the SHANK through the $\text{\O}1\text{-}3/4"$ [44mm] hole on the mounting surface making sure the O-RING is beneath the ESCUTCHEON.

➤ **NOTE:** The HOSES are marked with colored ZIP TIES to identify their function, **GREEN** for incoming mixed water and **YELLOW** for outgoing diverted water.

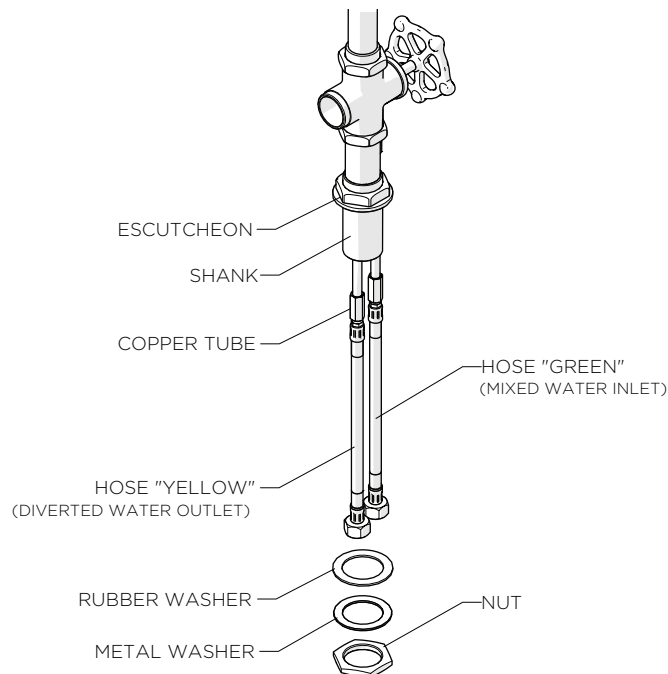


FIGURE - 04

8. Ensure that the flanged end of the TUBE sits flush with the SPOUT VALVE BODY. See FIGURE - 05. Thread and tighten both NUTS on the TUBE.

➤ **CAUTION:** The TUBES can be cut if necessary, adjust as needed. Do **NOT** cut the flanged end.

"FLANGE OF TUBE AND SPOUT VALVE BODY MUST BE FLUSH"

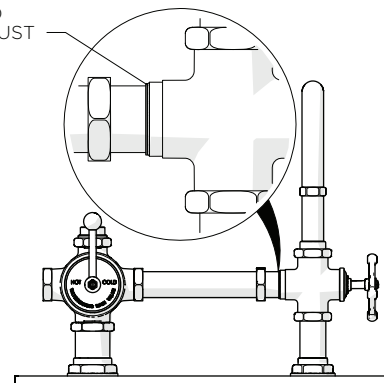


FIGURE - 05

9. Re-install the RUBBER WASHER, METAL WASHER and NUT and securely tighten the NUT to secure the SPOUT to the mounting surface.

These guidelines have been prepared for the professional contractor to aid in the installation of:
REGULATOR GOOSENECK SINGLE SPOUT KITCHEN FAUCET WITH METAL WHEEL HANDLE AND SPRAY (STYLE No. RGKM20, RG20KM UK)

All dimensions are based on original specification and are subject to change and variation. Please consult your Design Associate for current specifications.

WATERWORKS

HOSE CONNECTIONS:

10. Re-attach the ADAPTER from step 1 onto the HOSE from the TEMPERATURE VALVE with the "GREEN" ZIP TIE then connect the HOSE from the SPOUT with the "GREEN" ZIP TIE to the TEE. See Figure - 06.

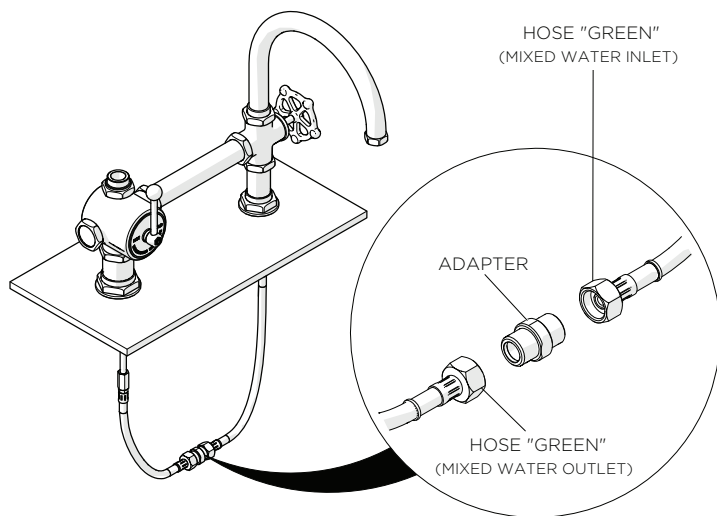


FIGURE - 06

- See Figure - 07 for steps 11 - 14.

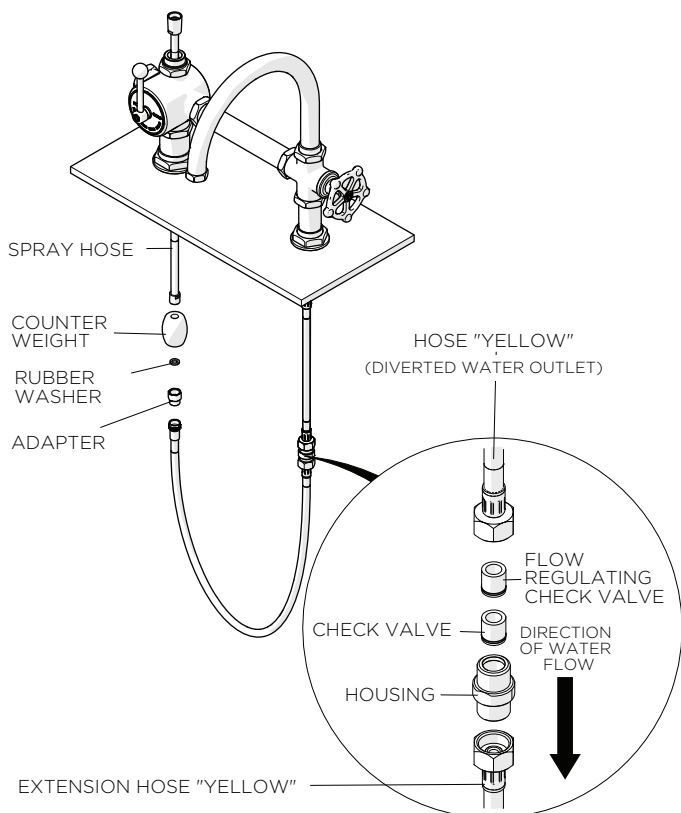


FIGURE - 07

11. Insert the male end of the SPRAY HOSE into the top of the TEMPERATURE VALVE and attach the COUNTER WEIGHT.
12. Connect the SPRAY HOSE to the EXTENSION HOSE using the ADAPTER and RUBBER WASHER.

NOTE: The EXTENSION HOSE is marked with a "YELLOW" ZIP TIE.

13. Connect the HOSE with the "YELLOW" ZIP TIE from the SPOUT to the DUAL CHECK VALVE HOUSING making sure the CHECK VALVES are orientated properly and water will flow in the correct direction.

NOTE: Only 1 of the CHECK VALVES is flow regulated. It is regulated at 2.2gpm.

14. Connect the EXTENSION HOSE to the CHECK VALVE HOUSING.

FINISH AND INSPECT THE INSTALLATION:

15. Attach the SPRAY to the SPRAY HOSE and place it into the top of the TEMPERATURE VALVE BODY.

16. Attach the CHECK VALVE HOUSINGS from step 1 to the SUPPLY KITS (not supplied). See FIGURE - 08.

CAUTION: Failure to install the CHECK VALVES onto the inlet supplies will result in water crossover since the TEMPERATURE VALVE does not have a shut-off.

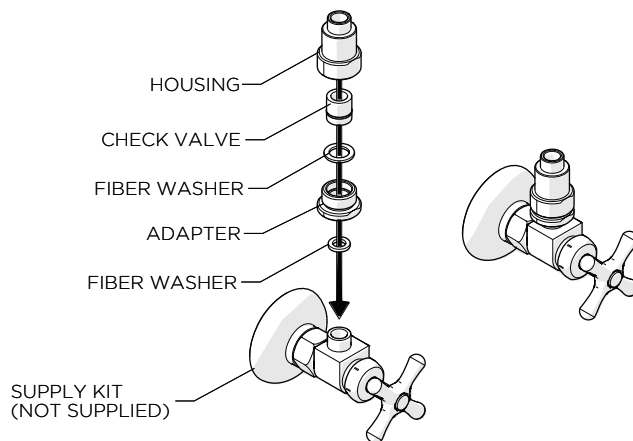


FIGURE - 08

17. Connect the hot & cold HOSES to the corresponding SUPPLY KITS (not supplied).

NOTE: The HOSES are marked with colored ZIP TIES to identify their function. **RED** for incoming hot supply water and **BLUE** for incoming cold supply water.

18. Remove the AERATOR from the SPOUT using the TOOL provided then open the hot and cold supplies and carefully turn the WHEEL HANDLE to flush out any debris in the supply lines before operating the SPRAY.

These guidelines have been prepared for the professional contractor to aid in the installation of:
REGULATOR GOOSENECK SINGLE SPOUT KITCHEN FAUCET WITH METAL WHEEL HANDLE AND SPRAY (STYLE No. RGKM20, RG20KM UK)
All dimensions are based on original specification and are subject to change and variation.
Please consult your Design Associate for current specifications.

WATERWORKS

19. Inspect all connections for leaks.
20. Operate the LEVER HANDLE and ensure that a range of temperatures exists.
21. With the SPOUT on, operate the SPRAY to ensure that water is being diverted properly. No water should flow out of the SPOUT while the SPRAY is being operated.
22. Shut the water off and re-install the AERATOR.

NOTE: 2-3 Seconds of residual water is typical on large gooseneck faucets.

SERVICING THE SPOUT:

- See Figure - 09 for steps 1 - 2.

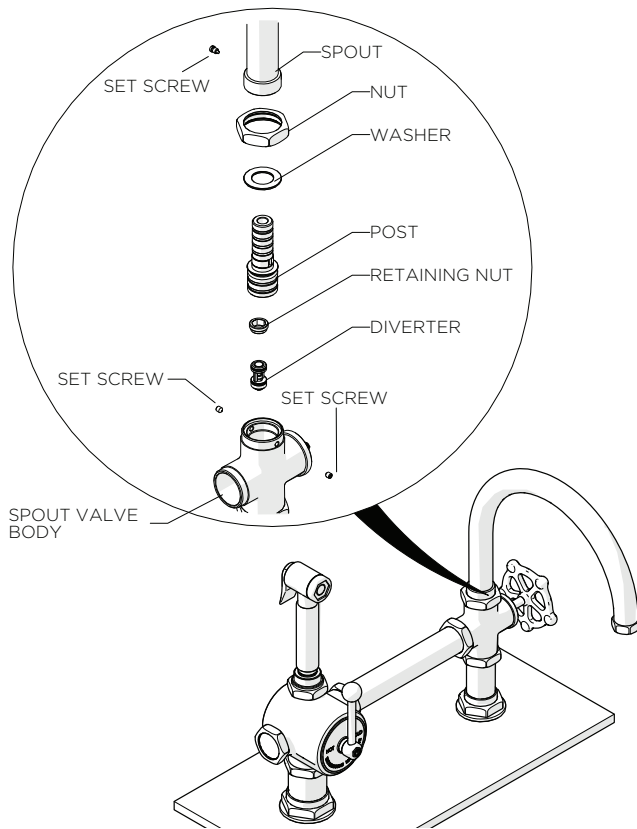


FIGURE - 09

1. Unthread the slotted SET SCREW at the base of the SPOUT then pull the SPOUT up.
2. Unthread and remove the NUT to expose the SET SCREWS on the front and back of the SPOUT VALVE BODY.
3. Unthread the SET SCREWS on the SPOUT VALVE BODY using a 2.5mm HEX KEY then pull the POST up to remove it along with the PLASTIC WASHER.
4. Unthread and remove the RETAINING NUT using a 12mm HEX KEY then remove the DIVERTER.

SERVICING THE SHUT-OFF CARTRIDGE:

- See Figure - 10 for steps 1 - 2.

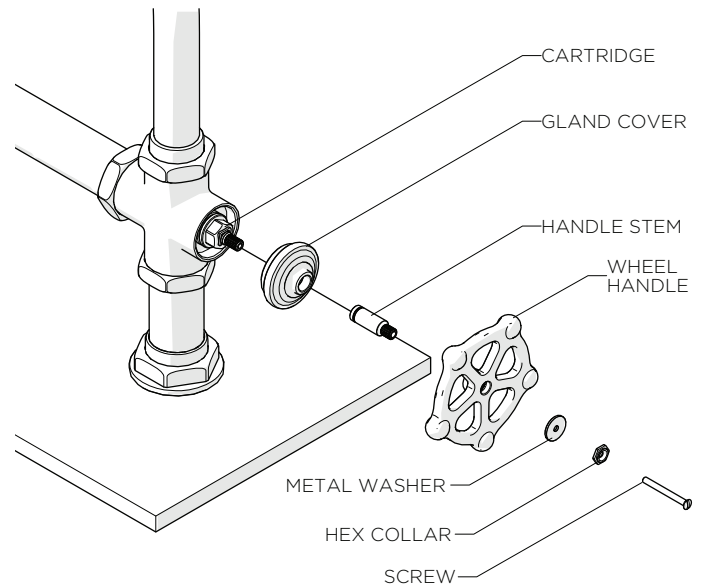


FIGURE - 10

1. To access the SHUT-OFF CARTRIDGE, unthread the SCREW then remove the HEX COLLAR, METAL WASHER, WHEEL HANDLE, and HANDLE STEM.
2. Unthread the GLAND COVER to expose the SHUT-OFF CARTRIDGE then remove the CARTRIDGE using a 17mm wrench.

SERVICING THE MIXING CARTRIDGE:

- See Figure - 11 for steps 1 - 3.

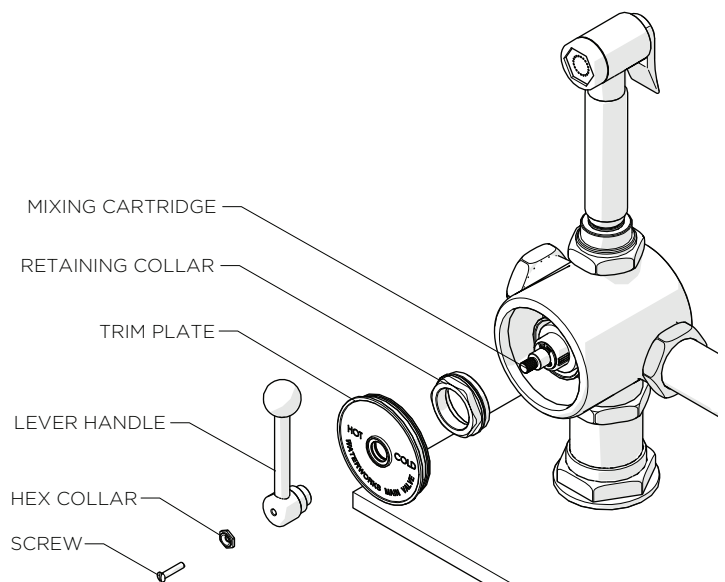


FIGURE - 11

These guidelines have been prepared for the professional contractor to aid in the installation of:
REGULATOR GOOSENECK SINGLE SPOUT KITCHEN FAUCET WITH METAL WHEEL HANDLE AND SPRAY (STYLE No. RGKM20, RG20KM UK)
All dimensions are based on original specification and are subject to change and variation.
Please consult your Design Associate for current specifications.

WATERWORKS

1. To access the MIXING CARTRIDGE, unthread the SCREW then remove the HEX COLLAR and LEVER HANDLE.
2. Remove the TRIM PLATE.
 - **NOTE:** There is a small slot at the base of the TRIM PLATE to insert a flat head screw driver to help remove the PLATE. Make sure not to damage the TRIM PLATE or VALVE BODY.
3. Remove the RETAINING COLLAR using a 38mm wrench then remove the MIXING CARTRIDGE.
 - If further assistance is required, please contact Product Support at 1-800-927-2120 Monday through Friday, 8am - 7pm EST.
 - See the service part document for parts ordering, available on WATERWORKS.COM.