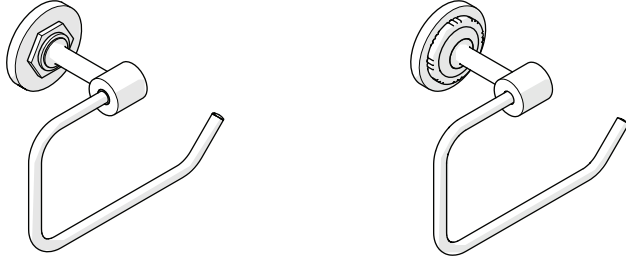


INSTALLATION GUIDELINES

WALL MOUNTED ACCESSORIES



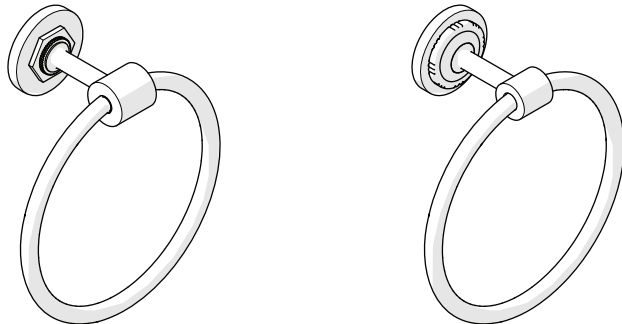
HENRY & HENRY CHRONOS SWING ARM PAPER HOLDER

STYLES	
HNP01	CNP01



HENRY & HENRY CHRONOS SINGLE HOOK

STYLES	
HNR01	CNR01



HENRY & HENRY CHRONOS 6 1/2" TOWEL RING

STYLES	
HNT01	CNT01

IMPORTANT:

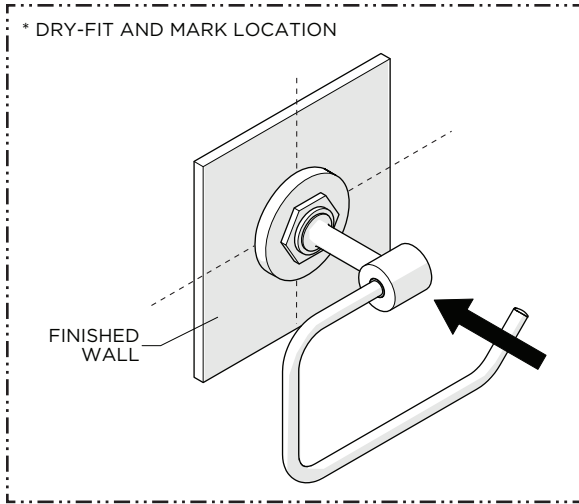
- To ensure this product is installed properly, you must read and follow these guidelines.
- The owner/user of this product must keep this information for future reference.
- This product must be installed by a professional licensed contractor. Inspect this product to ensure you have all the parts required for proper installation.
- DRYWALL ANCHORS for a typical drywall installation are provided. Do **NOT** use the ANCHORS if mounting directly onto wood blocking or a stud.
- If further assistance is required, please contact Product Support at 1-800-927-2120 Monday through Friday, 8am - 6pm EST.

TECHNICAL DETAILS:

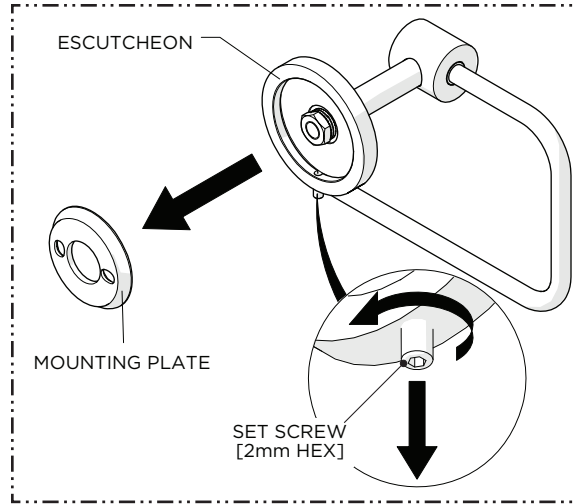
DETAIL	SPECIFICATION
PRIMARY MATERIAL	BRASS

INSTALLATION GUIDELINES

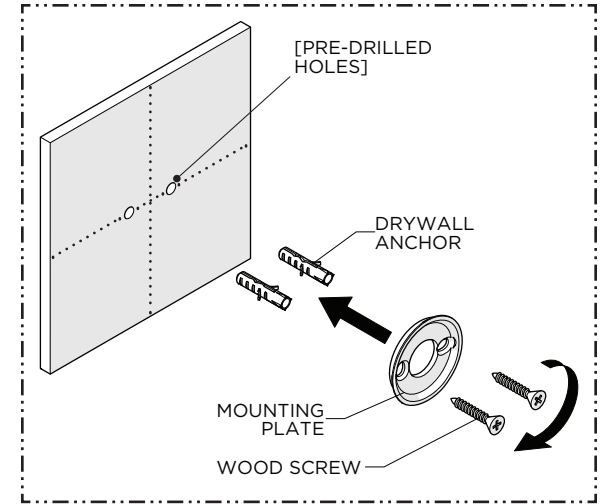
WALL MOUNTED ACCESSORIES



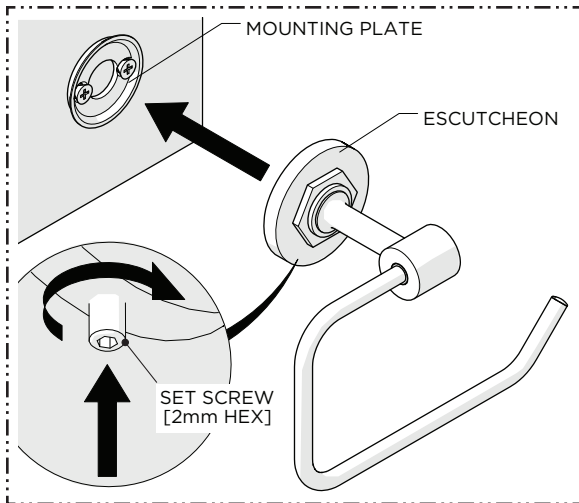
1. Dry-fit the product to the finished wall and mark the ideal location for installation.



2. Loosen, but do **NOT** remove, the SET SCREW on the bottom of the ESCUTCHEON using a 2mm HEX KEY then remove the MOUNTING PLATE.



3. Using the previous marks as a reference, install the MOUNTING PLATE using the SCREWS and ANCHORS provided.



4. Place the product over the MOUNTING PLATE and securely tighten the SET SCREW.