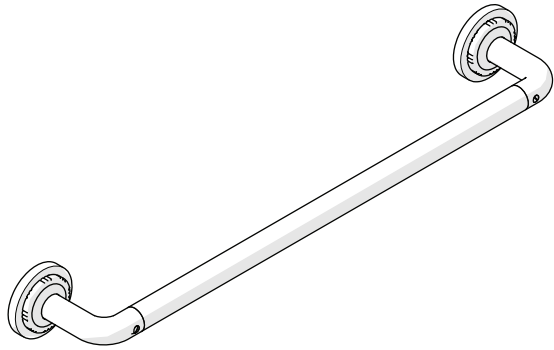


INSTALLATION GUIDELINES

WALL MOUNTED ACCESSORIES



HENRY CHRONOS SINGLE TOWEL BAR

STYLES	
CNTB18 [SHOWN]	CNTB24

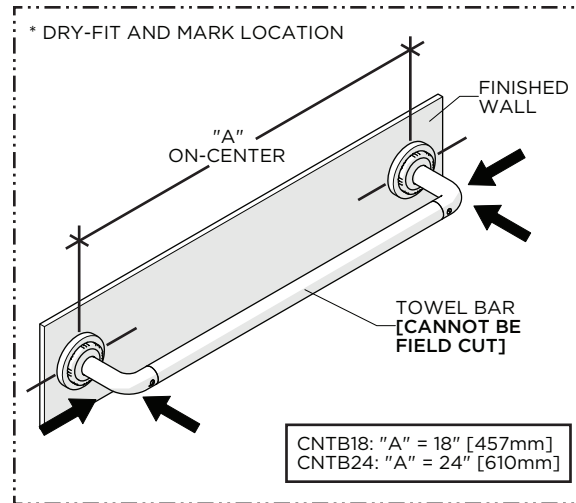
IMPORTANT:

- To ensure this product is installed properly, you must read and follow these guidelines.
- The owner/user of this product must keep this information for future reference.
- This product must be installed by a professional licensed contractor.
- Inspect this product to ensure you have all the parts required for proper installation.
- DRYWALL ANCHORS for a typical drywall installation are provided. Do **NOT** use the ANCHORS if mounting directly onto wood blocking or a stud.
- If further assistance is required, please contact Product Support at 1-800-927-2120 Monday through Friday, 8am - 6pm EST.
- Refer to the separate Service Parts Document for available replacement parts.

TECHNICAL DETAILS:

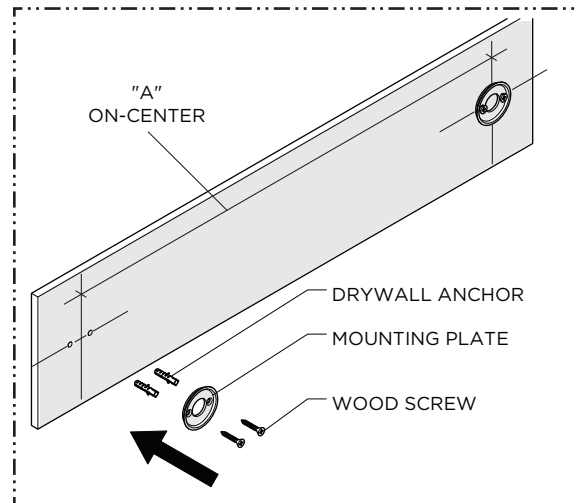
DETAIL	SPECIFICATION
PRIMARY MATERIAL	BRASS
TUBE DIAMETER	13/16" [20mm]

WATERWORKS



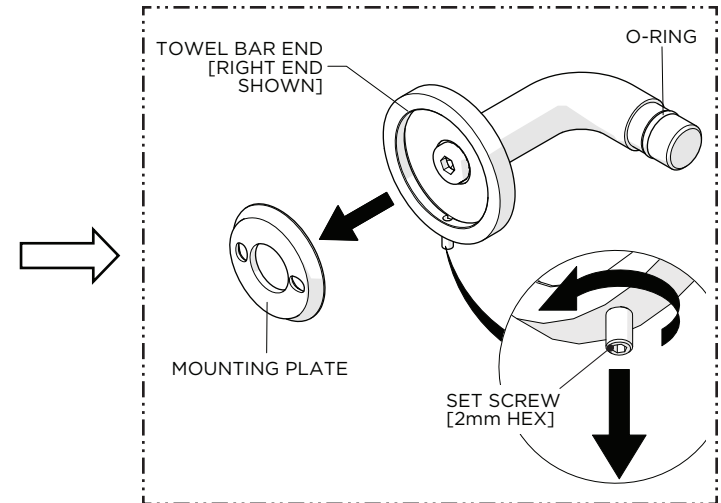
1. Dry-fit the product to the finished wall and mark the ideal location making sure to hold the product level.

NOTE: Verify the on-center spread, **Dimension "A"**.

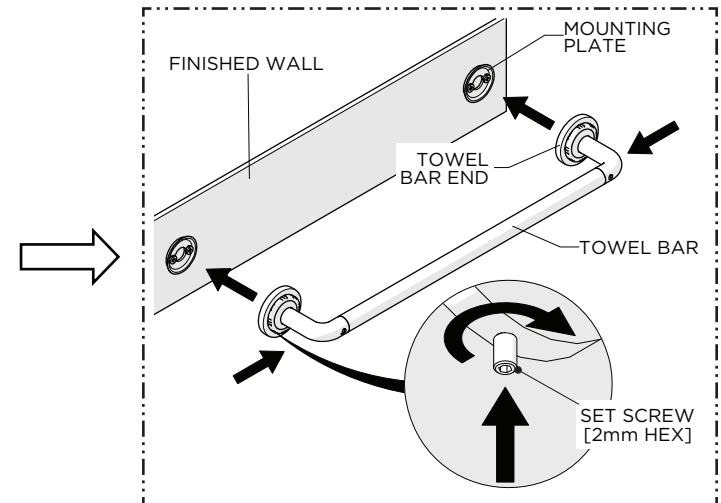


3. Using the previous marks as a reference, install the MOUNTING PLATES using the SCREWS and ANCHORS provided.

CAUTION: Ensure the MOUNTING PLATES are level and at the desired on-center spread, **Dimension "A"**.



2. Loosen, but do NOT remove, the SET SCREW on the bottom of each TOWEL BAR END using a 2mm HEX KEY then remove the MOUNTING PLATES.



4. Holding the ENDS and BAR together, place both ENDS over the MOUNTING PLATES and securely tighten the SET SCREWS.

NOTE: The SET SCREWS should face towards the bottom.