

# INSTALLATION GUIDELINES

## UNIVERSAL SHOWERHEAD

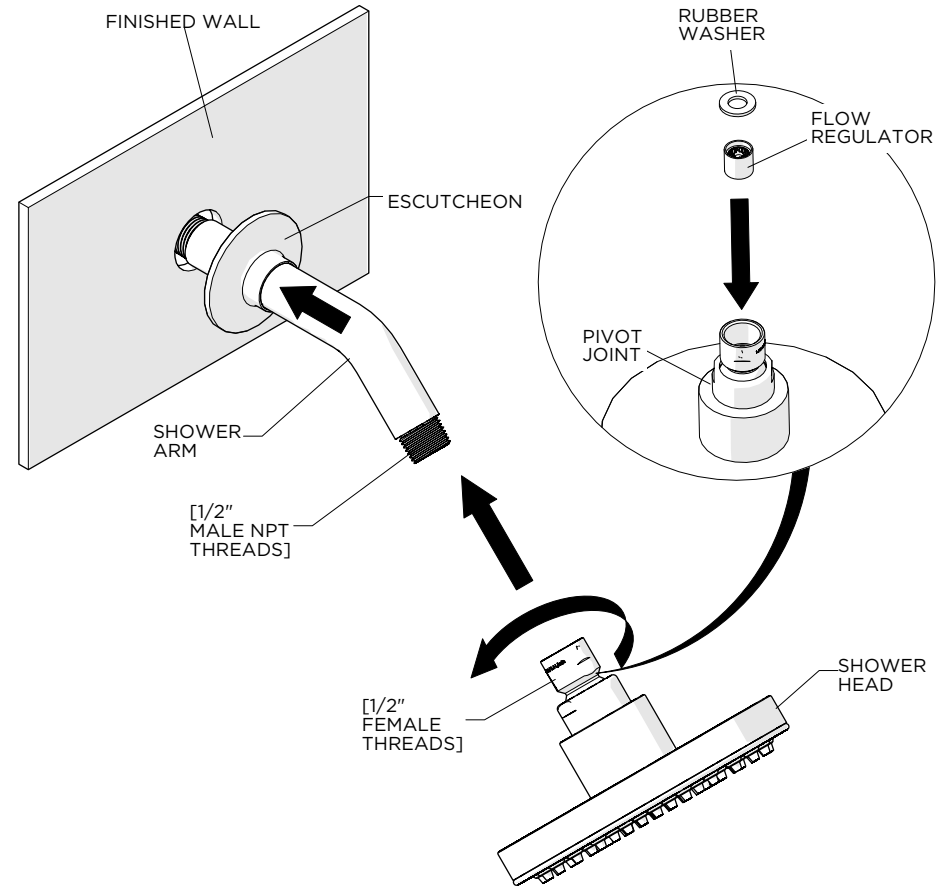
### IMPORTANT:

- To ensure this product is installed properly, you must read and follow these guidelines.
- The owner/user of this product must keep this information for future reference.
- This product must be installed by a professional licensed contractor and must be on-site prior to rough-in, this allows the installer to visualize the installation.
- Be sure your installation conforms to federal, state, and local codes. In the State of Massachusetts, all installations must comply with the rules and regulations set forth within 248 CMR.
- Inspect this product to ensure you have all the parts required for proper installation.
- Use only a strap wrench or protected/smooth-jaw wrench on any finished surface.
- The use of certain plumber's putty may stain stone or tile surfaces.
- If further assistance is required, please contact Product Support at 1-800-927-2120 Monday through Friday, 8am - 6pm EST.
- For use with VALVES rated at 1.3gpm [4.9L/min] or higher.
- Showerheads larger than 6" are not recommended for use with the Universal Wall Mounted 45 Degree Shower Arms.

### TECHNICAL DETAILS:

INLET CONNECTION	1/2" FEMALE THREADS WITH RUBBER WASHER
INTEGRATED DIVERTER	NO
PIVOT	YES
WATER PRESSURE RANGE	20psi [1.5 bar] <b>MIN</b> 85psi [6.0 bar] <b>MAX</b>
WATER PRESSURE RECOMMENDED	45psi [3.0 bar]

### WALL INSTALLATION SHOWN:

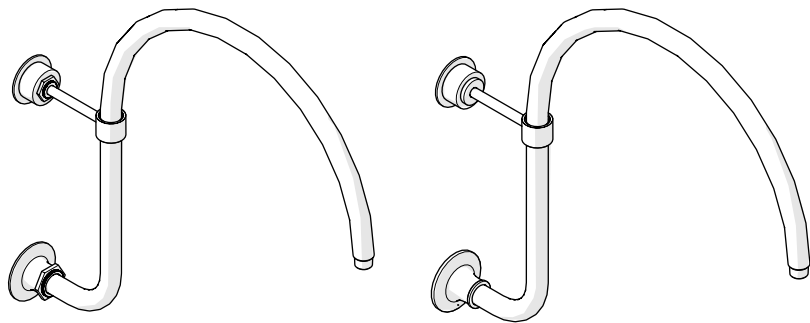


1. Flush out the supply line prior to installing the SHOWERHEAD.
2. Thread and securely tighten the PIVOT JOINT onto the SHOWER ARM, making sure to use the RUBBER WASHER provided.  
**NOTE:** A FLOW REGULATOR is located inside the PIVOT JOINT.
3. Run water through the SHOWERHEAD and ensure it pivots and functions properly.  
**NOTE:** Some SHOWERHEADS have adjustable spray features.
4. Check for leaks and complete the installation.

# INSTALLATION GUIDELINES

## GOOSENECK SHOWER ARM

### HENRY OR UNIVERSAL 20" WALL MOUNTED GOOSENECK SHOWER ARM



STYLES	
HNA820	USA820

#### IMPORTANT:

- To ensure this product is installed properly, you must read and follow these guidelines.
- The owner/user of this product must keep this information for future reference.
- This product must be installed by a professional licensed contractor.
- Be sure your installation conforms to federal, state, and local codes. In the State of Massachusetts, all installations must comply with the rules and regulations set forth within 248 CMR.
- Inspect this product to ensure you have all the parts required for proper installation.
- Product is sold partially assembled but shown fully disassembled for illustrative and service purposes only.
- **CAUTION:** Use only a strap wrench or protected/smooth-jaw wrench on ANY finished surface.
- The use of certain plumber's putty may stain stone or tile surfaces.
- If further assistance is required, please contact Product Support at 1-800-927-2120 Monday through Friday, 8am - 6pm EST.
- Refer to the separate Service Parts Documents for available replacement parts.

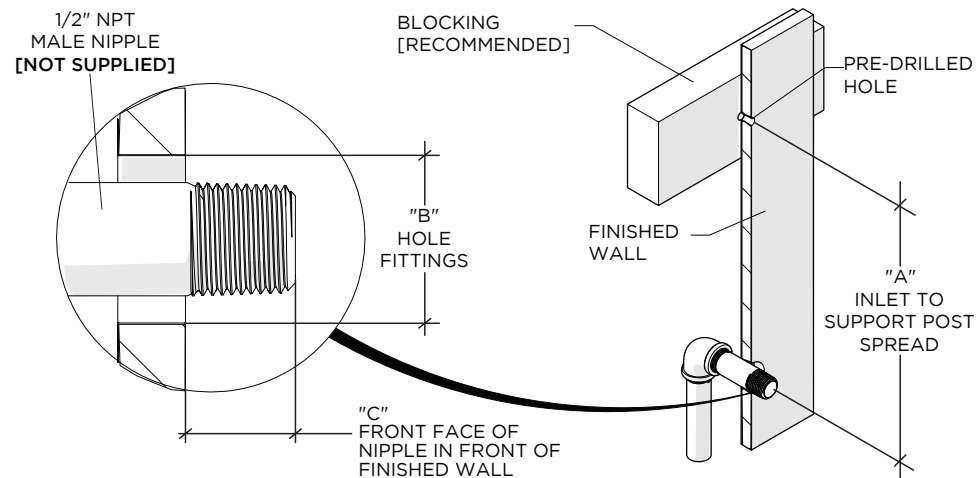
#### TECHNICAL DETAILS:

DETAIL	SPECIFICATION
INLET CONNECTION	1/2" FEMALE THREADS WITH RUBBER WASHER
INTEGRATED DIVERTER	NO
WATER PRESSURE RANGE	20psi [1.5 bar] <b>MIN</b> -85psi [6.0 bar] <b>MAX</b>
WATER PRESSURE RECOMMENDED	45psi [3.0 bar]

#### ROUGH-IN:

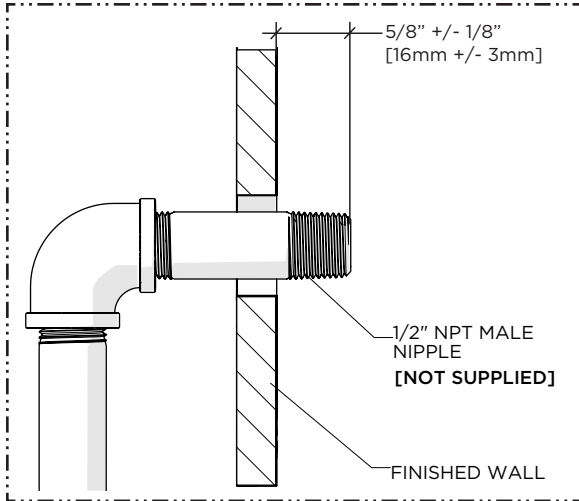
- Determine the ideal location for the SHOWER ARM and rough-in a well supported 1/2" NPT MALE NIPPLE (not supplied) of appropriate length.
- Adequate blocking in the wall is recommended for mounting the SUPPORT POST using the 1-1/2" length WOOD SCREW provided.
- A DRYWALL ANCHOR, intended for use in a typical 1/2" drywall installation, is provided for situations where blocking is not installed.

DIMENSION	VALUE
A	10-1/2" [267mm] <b>RECOMMENDED</b>
B	1-1/4" [32mm]
C	5/8" [16mm] +/- 1/8" [3mm]

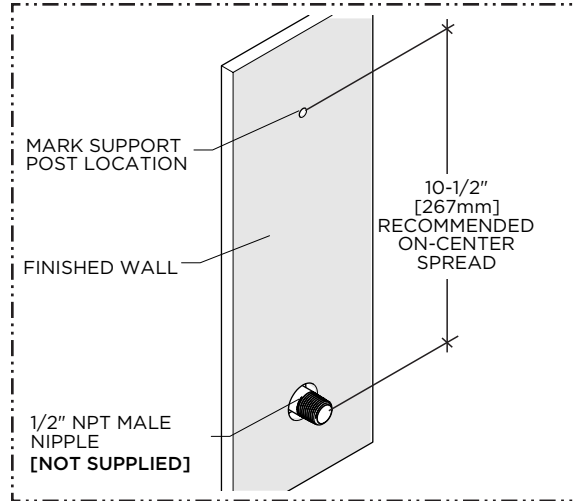


# INSTALLATION GUIDELINES

## GOOSENECK SHOWER ARM

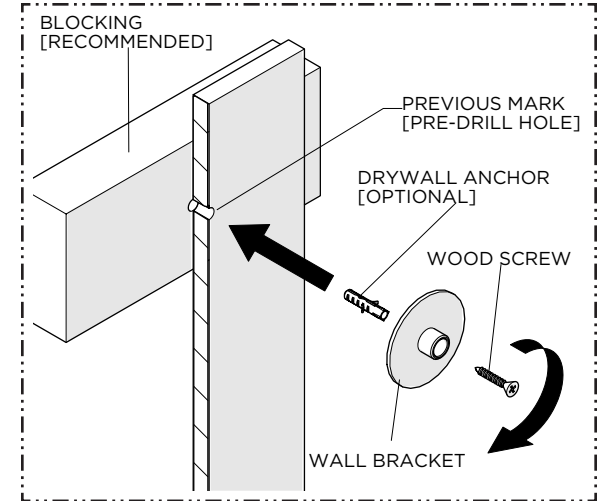


1. Ensure the front face of the 1/2" NPT MALE NIPPLE (not supplied) is 5/8" [16mm] to +/- 1/8" [3mm] in front of the finished wall.



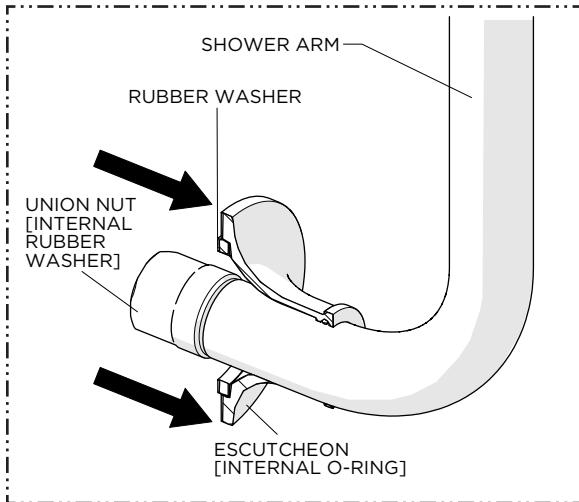
2. Mark the location for the SUPPORT POST from the center of the NIPPLE to the desired on-center spread.

**IMPORTANT:** The **MAXIMUM** spread is 10-3/4" [273mm]. **RECOMMENDED** on-center spread is 10-1/2" [267mm].



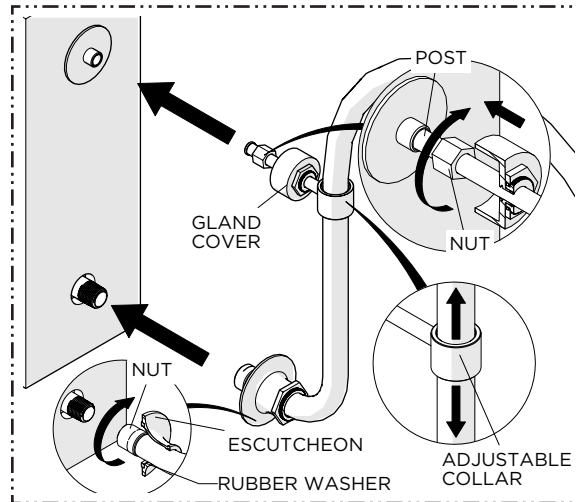
3. Using the previous mark, install the WALL BRACKET using the WOOD SCREW provided.

**NOTE:** Adequate blocking is recommended, but a DRYWALL ANCHOR is provided for installations where blocking is not installed.



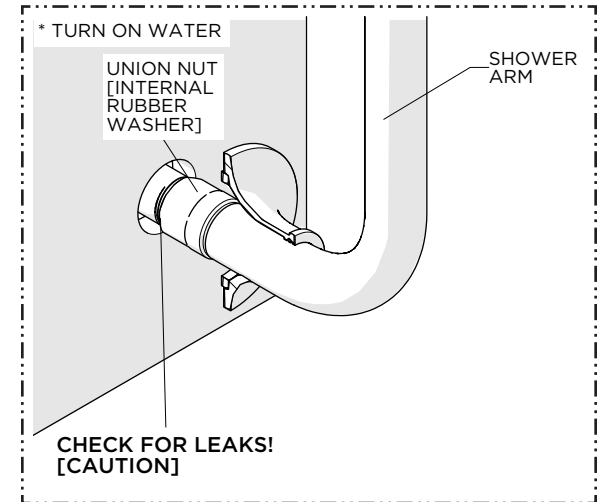
4. Slide the INLET ESCUTCHEON and RUBBER WASHER up the SHOWER ARM to expose the UNION NUT.

**NOTE:** Do NOT remove or discard the RUBBER WASHER inside the UNION NUT.



5. Align the NUT to the NIPPLE and the POST to the WALL BRACKET then thread and securely tighten the NUT onto the NIPPLE making sure the POST fits properly onto the WALL BRACKET.

**NOTE:** Ensure the RUBBER WASHER is behind the INLET ESCUTCHEON.



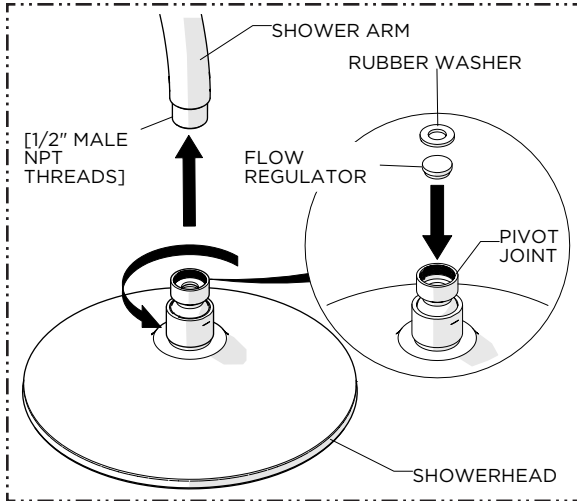
6. Turn on the water and a diverter/wall valve (sold separately) to flush out any debris in the supply line and inspect all connections for leaks then turn the water off.

**CHECK FOR LEAKS!**  
**[CAUTION]**

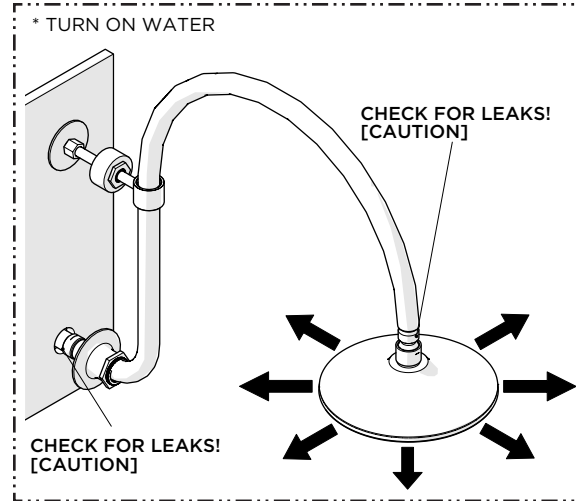
# INSTALLATION GUIDELINES

## GOOSENECK SHOWER ARM

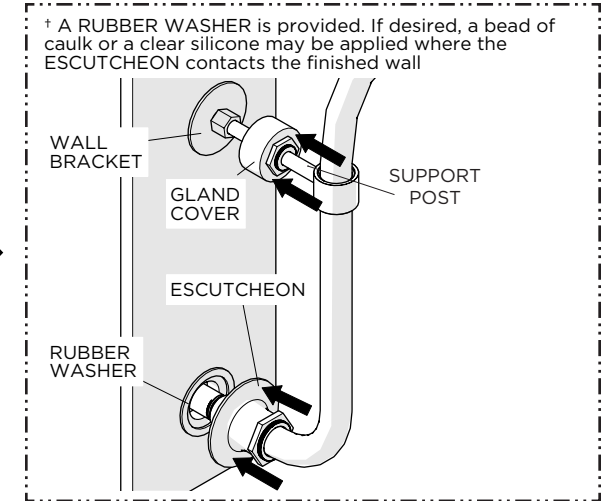
WATERWORKS



7. Insert the RUBBER WASHER into the PIVOT JOINT on the SHOWER HEAD then thread and securely tighten the PIVOT JOINT onto the SHOWER ARM.  
**NOTE:** A FLOW REGULATOR is located in the PIVOT JOINT.



8. Turn on the water and operate the SHOWER HEAD to ensure it pivots and functions properly. Inspect all connections for leaks then turn the water off.



9. Slide the ESCUTCHEON down the SHOWER ARM until it contacts the finished wall and slide the GLAND COVER down the SUPPORT POST until it contacts the WALL BRACKET.