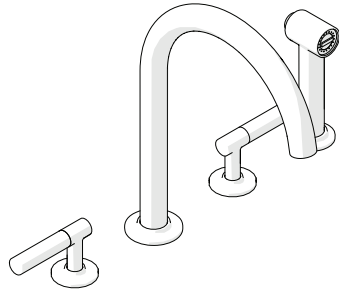


INSTALLATION GUIDELINES

GOOSENECK KITCHEN FAUCET AND SPRAY WITH LEVER HANDLES

BOND GOOSENECK KITCHEN FAUCET AND SPRAY WITH LEVER HANDLES



STYLES		
BKM220	BKM22A	BKM22B
BKM22D	BKM22P [SHOWN]	BKM22S
BKM22T	BKM28Z	

IMPORTANT:

- To ensure this product is installed properly, you must read and follow these guidelines.
- The owner/user of this product must keep this information for future reference.
- This product must be installed by a professional licensed contractor.
- Be sure your installation conforms to all federal, state, and local codes. In the State of Massachusetts, all installations must comply with the rules and regulations set forth within 248 CMR.
- Inspect this product to ensure you have all the parts required for proper installation.
- This product is sold partially assembled but shown fully disassembled for illustrative and service purposes only.

CAUTION:

- Flushing the SUPPLY VALVES (sold separately) prior to installing the KITCHEN FAUCET is recommended. Flushing can prevent damage to the CARTRIDGES and other internal components.

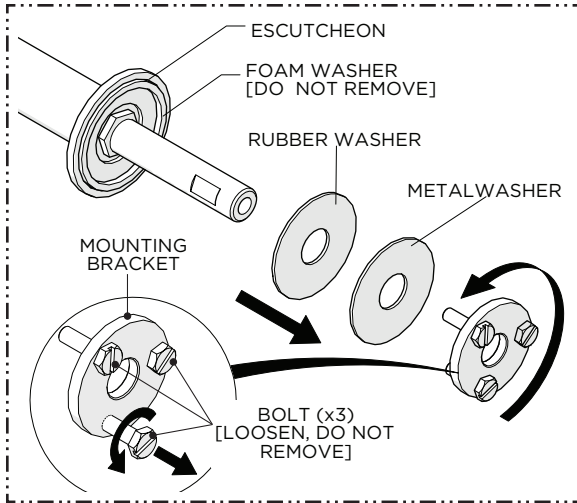
- Use only a strap wrench or protected/smooth-jaw wrench on any finished surface.
- The use of certain plumber's putty may stain stone or tile surfaces.
- If further assistance is required, please contact Product Support at 1-800-927-2120 Monday through Friday, 8am - 6pm EST.
- Refer to the separate Service Parts Documents for available replacement parts.

TECHNICAL DETAILS:

DETAIL	SPECIFICATION
DECK THICKNESS RANGE	1/4" [6mm] MIN 1-7/16" [37mm] MAX
FITTINGS HOLE DIAMETER	1-3/8" [35mm]
HANDLE SPREAD	8" [203mm] MIN 12" [305mm] MAX
HANDLE TURN ANGLE	QUARTER TURN
INLET CONNECTION	1/2" MALE WITH SUPPLY NUT
SPOUT REACH	8-1/2" [216mm]
SPOUT SWIVEL	YES
SPRAY HOSE LENGTH	59" [1.5m]
SPRAY INCLUDED IN UNIT	YES
WATER PRESSURE MAXIMUM	85psi [6.0 bar]
WATER PRESSURE MINIMUM	20psi [1.5 bar]
WATER PRESSURE RECOMMENDED	45psi [3.0 bar]

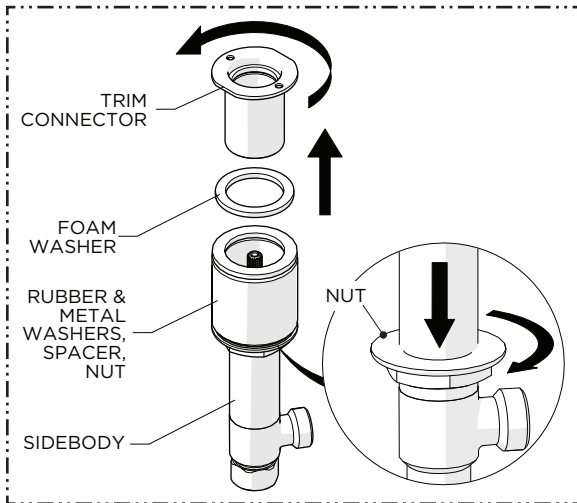
INSTALLATION GUIDELINES

GOOSENECK KITCHEN FAUCET AND SPRAY



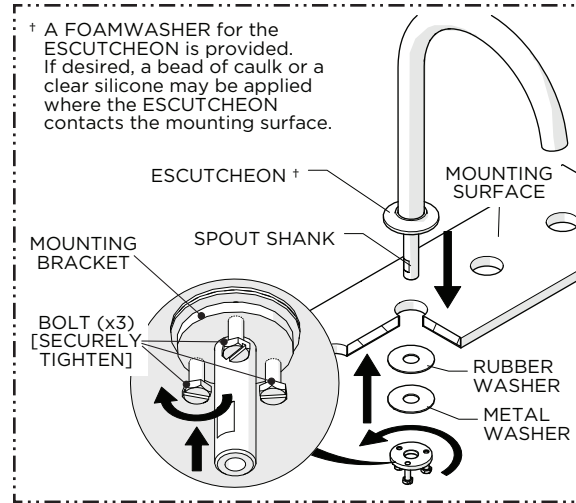
1. Unthread and remove the MOUNTING BRACKET, and WASHERS from the SPOUT SHANK then loosen the BOLTS on the BRACKET.

NOTE: Do **NOT** remove the FOAM WASHER beneath the ESCUTCHEON.



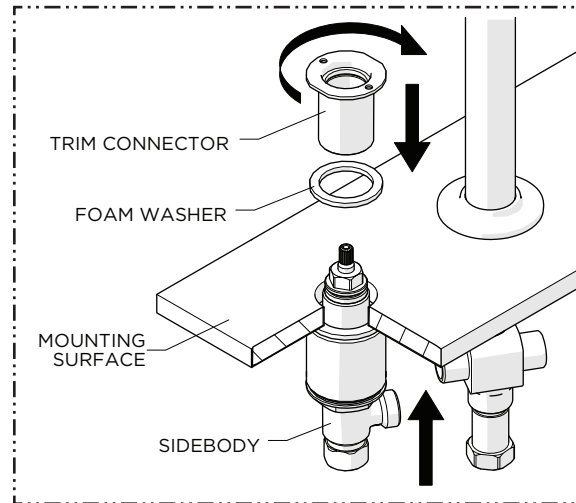
4. Unthread and remove the TRIM CONNECTOR and FOAM WASHER from the SIDEBODY then fully thread the NUT down the SIDEBODY.

NOTE: Do **NOT** remove the LOWER DECK WASHERS and SPACER.

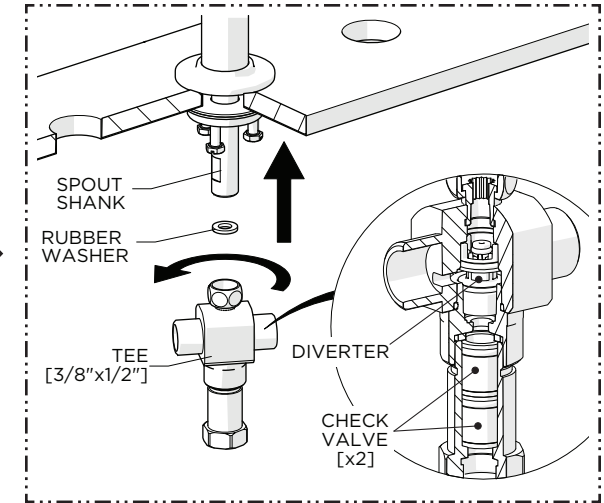


2. Insert the SPOUT SHANK through the hole on the mounting surface then re-install the WASHERS and MOUNTING BRACKET.

Hand-tighten the BRACKET then **evenly** thread and tighten the BOLTS until the SPOUT is secure.

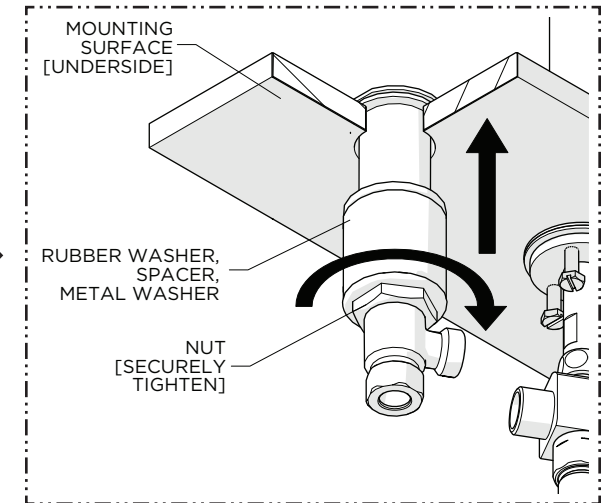


5. Insert the SIDEBODY into the hole on the mounting surface from below then, using the FOAM WASHER provided, thread the TRIM CONNECTOR back onto the SIDEBODY until snug.



3. Using the RUBBER WASHER provided, thread and securely tighten the TEE onto the SPOUT SHANK.

NOTE: A DIVERTER and 2 CHECK VALVES are located inside the TEE.

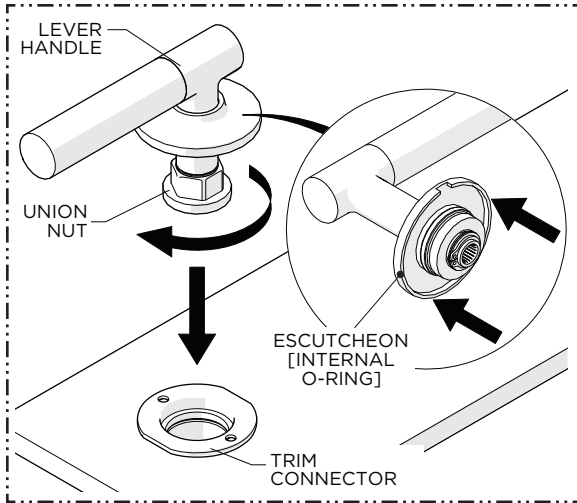


6. Ensure the SIDEBODY is positioned so the SUPPLY HOSE can be easily connected to the TEE then thread and securely tighten the NUT against the underside of the mounting surface.

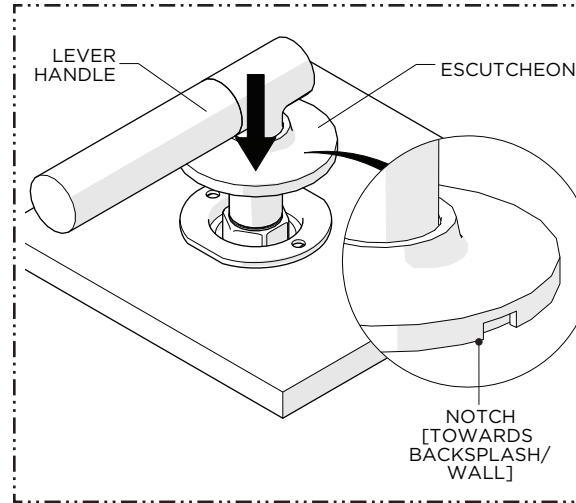
NOTE: Repeat steps 4 - 6 to install the **2ND** SIDEBODY.

INSTALLATION GUIDELINES

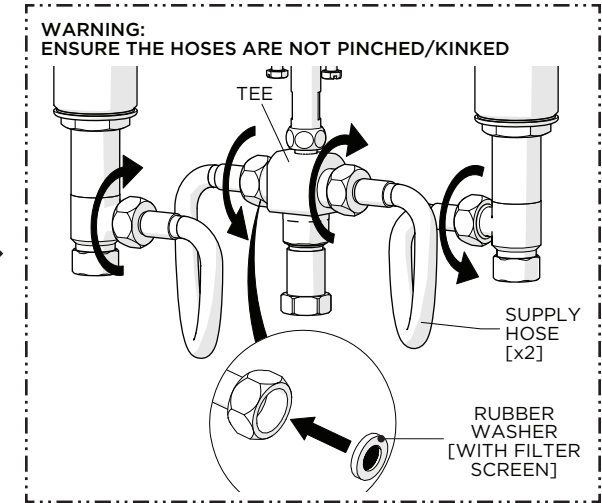
GOOSENECK KITCHEN FAUCET AND SPRAY



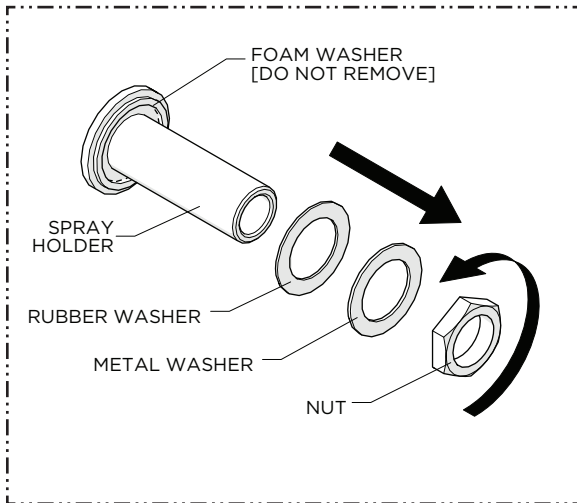
7. **CAREFULLY** slide the ESCUTCHEON up the LEVER HANDLE to expose the UNION NUT then thread the NUT into the TRIM CONNECTOR until snug.



8. **CAREFULLY** slide the ESCUTCHEON down the LEVER HANDLE to conceal the TRIM CONNECTOR.
NOTE: Repeat steps 7 - 8 to install **2ND** HANDLE.

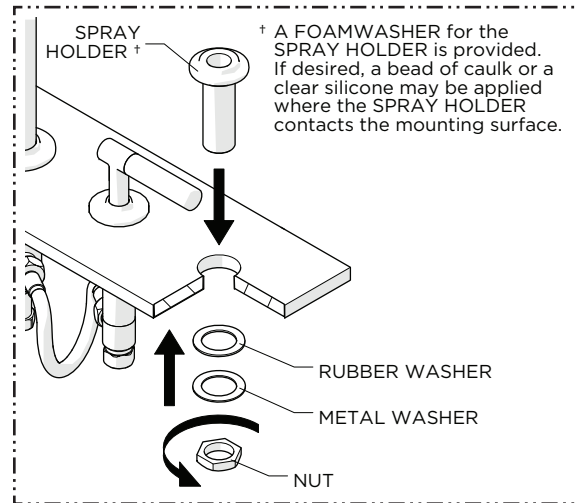


9. Connect the SIDEBODIES to the TEE using the SUPPLY HOSES and WASHERS provided. Securely tighten the HOSES and ensure they are not pinched/kinked.

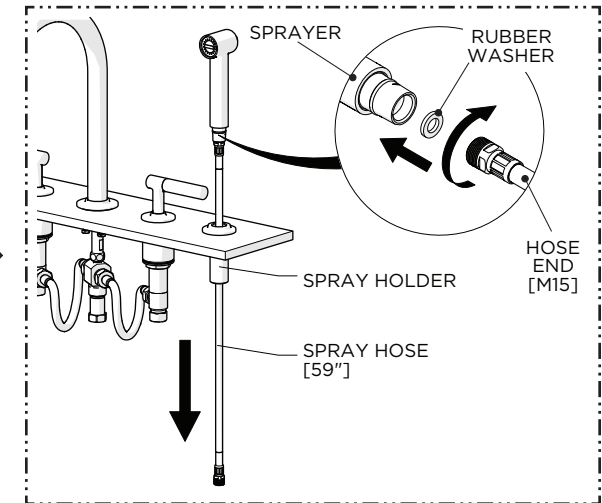


10. Remove the NUT, METAL WASHER, and RUBBER WASHER from the SPRAY HOLDER.

NOTE: Do **NOT** remove the FOAM WASHER beneath the SPRAY HOLDER.



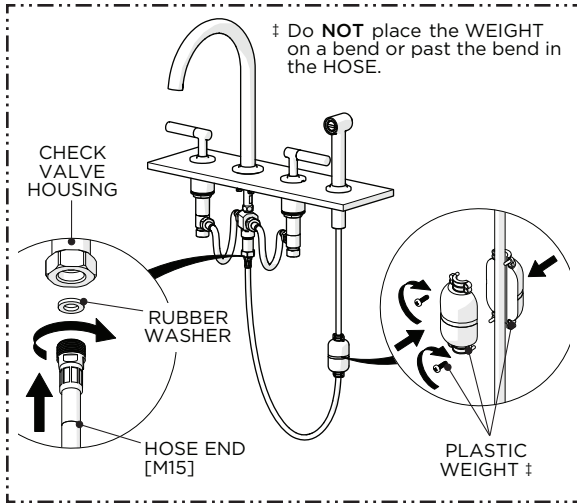
11. Insert the SPRAY HOLDER through the hole on the mounting surface then re-install the WASHERS and securely tighten the NUT.



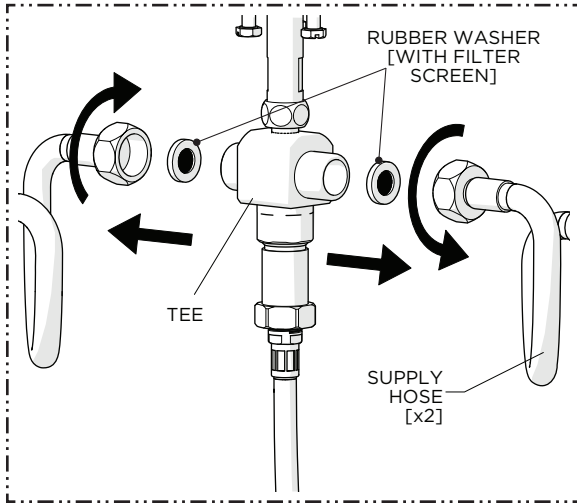
12. Using the RUBBER WASHER provided, thread one end of the SPRAY HOSE into the SPRAYER then insert the SPRAY HOSE through the SPRAY HOLDER.

INSTALLATION GUIDELINES

GOOSENECK KITCHEN FAUCET AND SPRAY

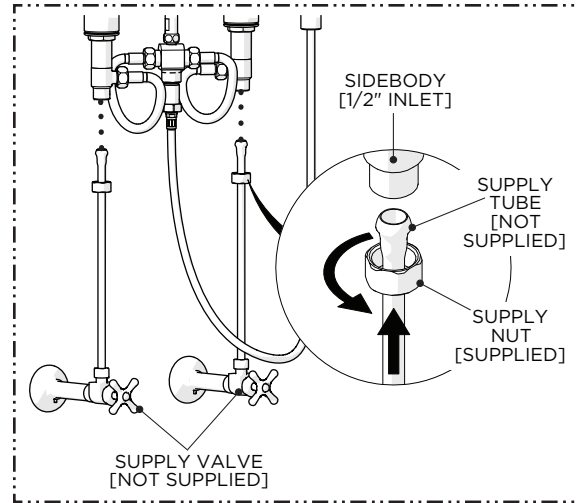


13. Using the RUBBER WASHER provided, thread the SPRAY HOSE into the CHECK VALVE HOUSING then attach the WEIGHT to a **straight** section of the HOSE that is opposite of the HOUSING/TEE and verify the SPRAYER sits properly in the HOLDER.



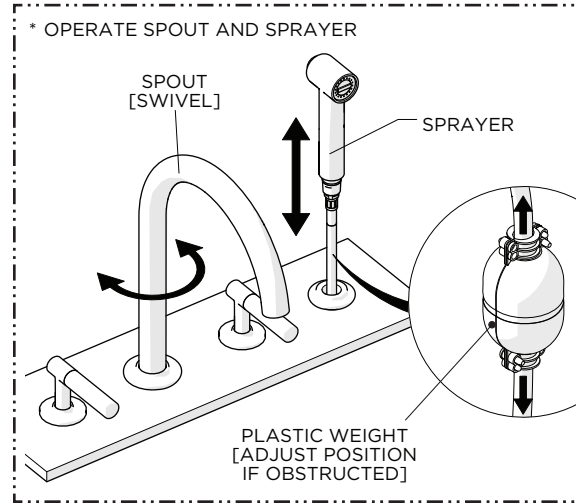
16. Turn off the FAUCET and unthread both the SUPPLY HOSES from the TEE to remove and clean the WASHER WITH FILTER SCREENS then re-install the WASHERS and HOSES.

CAUTION: If FILTER SCREENS are removed or left out, debris may damage the DIVERTER.

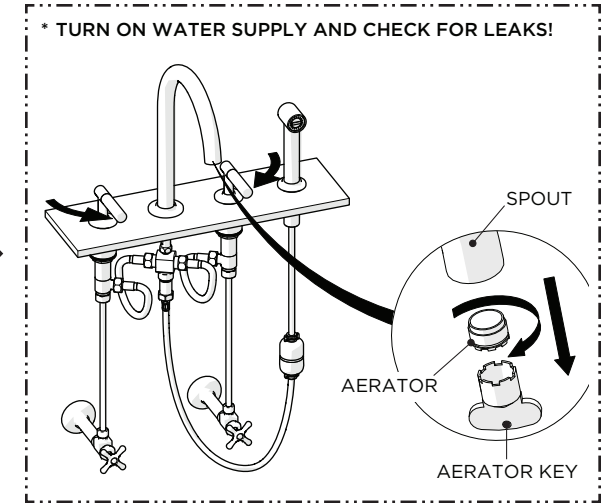


14. Make final SUPPLY VALVE (sold separately) connections.

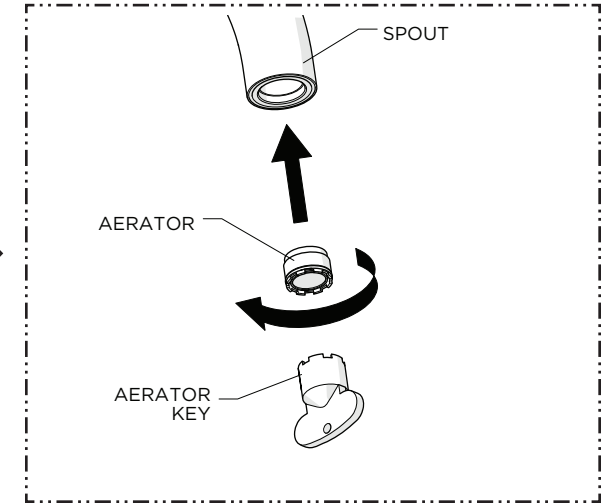
NOTE: Make sure the SPRAY HOSE and WEIGHT are **NOT** obstructed and can move freely.



17. Pull out the SPRAYER and rotate the SPOUT to ensure they function properly and the WEIGHT can move freely beneath the cabinet.



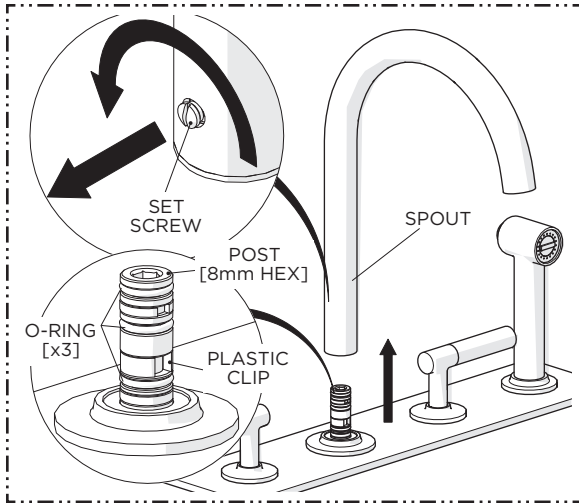
15. Unthread and remove the AERATOR then turn on the water supply and open the FAUCET to flush out any debris in the supply lines prior to operating the SPRAYER. Inspect all connections for leaks.



18. Re-install the AERATOR.

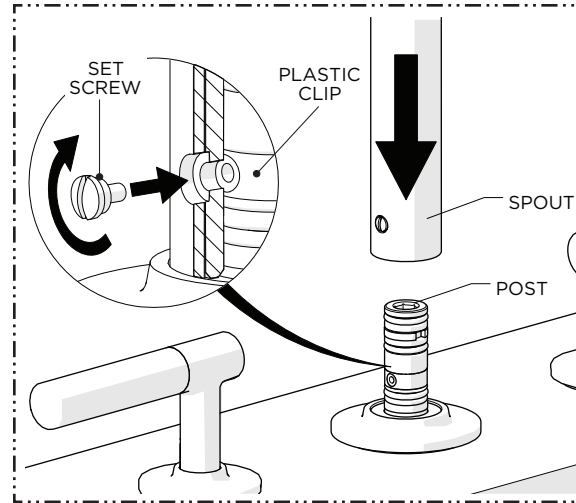
SERVICING GUIDELINES

GOOSENECK KITCHEN FAUCET AND SPRAY

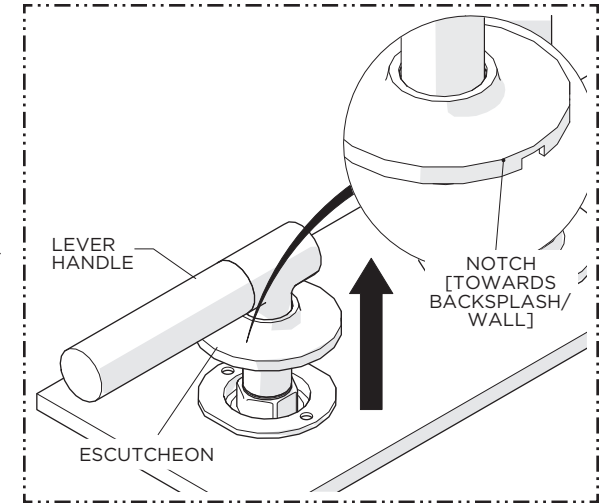


SERVICING THE SPOUT:

1. Unthread the SET SCREW located at the base of the SPOUT then pull the SPOUT up to expose the POST.

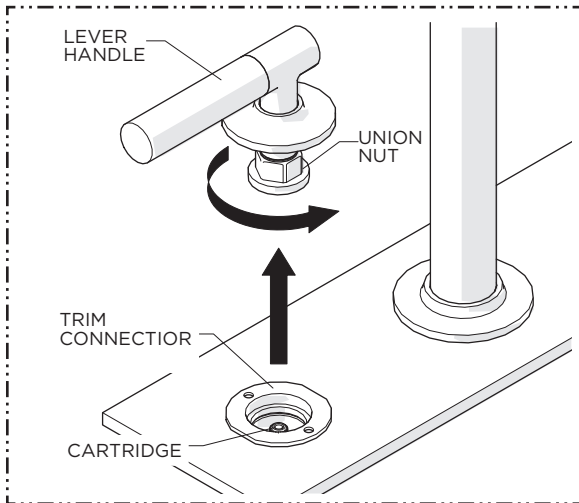


2. When replacing the SPOUT, the SET SCREW must properly align with the hole on the PLASTIC CLIP to securely hold the SPOUT in position.

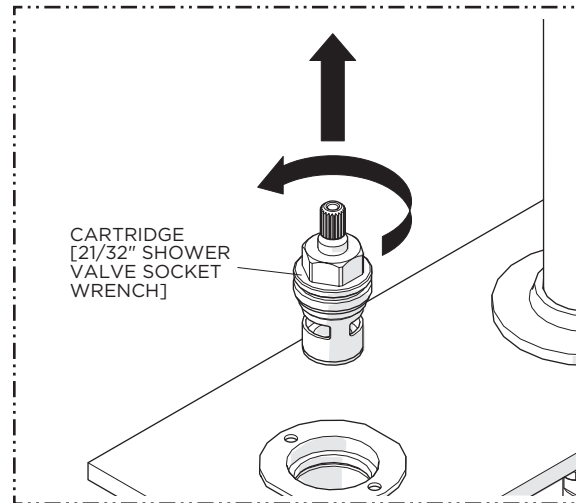


SERVICING THE CARTRIDGE:

1. CAREFULLY slide the ESCUTCHEON up the LEVER HANDLE with the help of the NOTCH to expose the UNION NUT.



2. Unthread the UNION NUT from the TRIM CONNECTOR to expose the CARTRIDGE.



3. Unthread and remove the CARTRIDGE using a 21/32" [17mm] shower valve socket wrench.