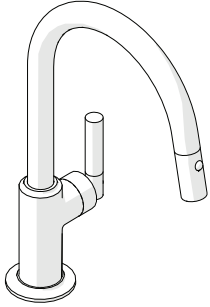


# INSTALLATION GUIDELINES

## GOOSENECK INTEGRATED PULL SPRAY KITCHEN FAUCETS

### BOND ONE HOLE GOOSENECK INTEGRATED PULL SPRAY KITCHEN FAUCET WITH HANDLE



STYLES		
BKM12O	BKM12A	BKM12B
BKM12D	BKM12P [SHOWN]	BKM12S
BKM12T	BKM18Z	

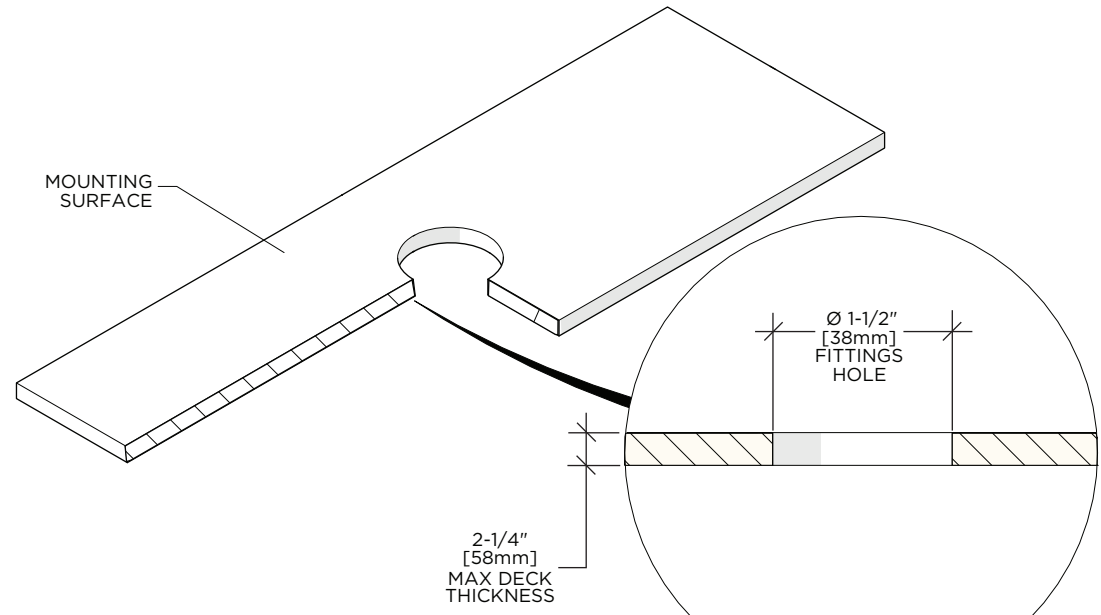
### IMPORTANT:

- To ensure this product is installed properly, you must read and follow these guidelines.
- The owner/user of this product must keep this information for future reference.
- This product must be installed by a professional licensed contractor.
- Be sure your installation conforms to all federal, state, and local codes. In the State of Massachusetts, all installations must comply with the rules and regulations set forth within 248 CMR.
- **CAUTION:**
  - Flushing the SUPPLY VALVES (sold separately) prior to installing the KITCHEN FAUCET is recommended. Flushing can prevent damage to the CARTRIDGE and other internal components.
- Use only a strap wrench or protected/smooth-jaw wrench on any finished surface.
- Inspect this product to ensure you have all the parts required for proper installation.
- Product is sold partially assembled but shown fully disassembled for illustrative and service purposes only.
- The use of certain plumber's putty may stain stone or tile surfaces.
- If further assistance is required, please contact Product Support at 1-800-927-2120 Monday through Friday, 8am - 6pm EST.
- Refer to the separate Service Parts Documents for available replacement parts.

### TECHNICAL DETAILS:

DETAIL	SPECIFICATION
HANDLE TURN ANGLE	TILT & TURN
INLET CONNECTION	3/8" COMPRESSION CONNECTOR HOSES †
SPOUT REACH	9" [228mm]
SPOUT SWIVEL	YES
SPRAY HOSE LENGTH	59" [1.5m]
WATER PRESSURE MAXIMUM	85psi [6.0 bar]
WATER PRESSURE MINIMUM	20psi [1.5 bar]
WATER PRESSURE RECOMMENDED	45psi [3.0 bar]

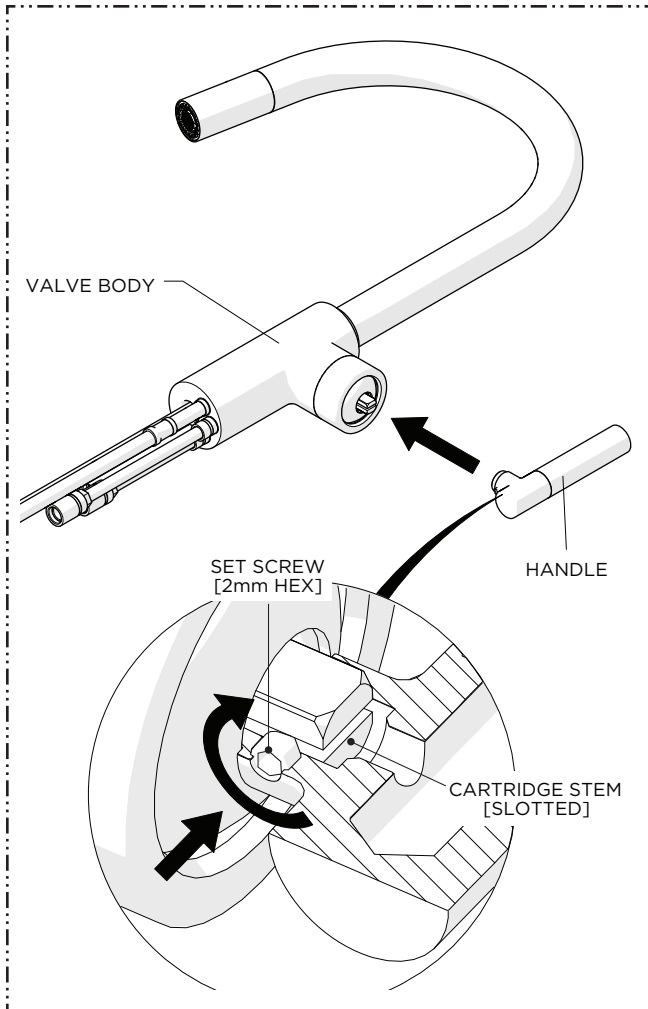
† **FOR INTERNATIONAL USE**, two 9/16-24 UNEF Male x 3/8" Female BSPP ADAPTERS (Style No. UNUK08) are provided.



# INSTALLATION GUIDELINES

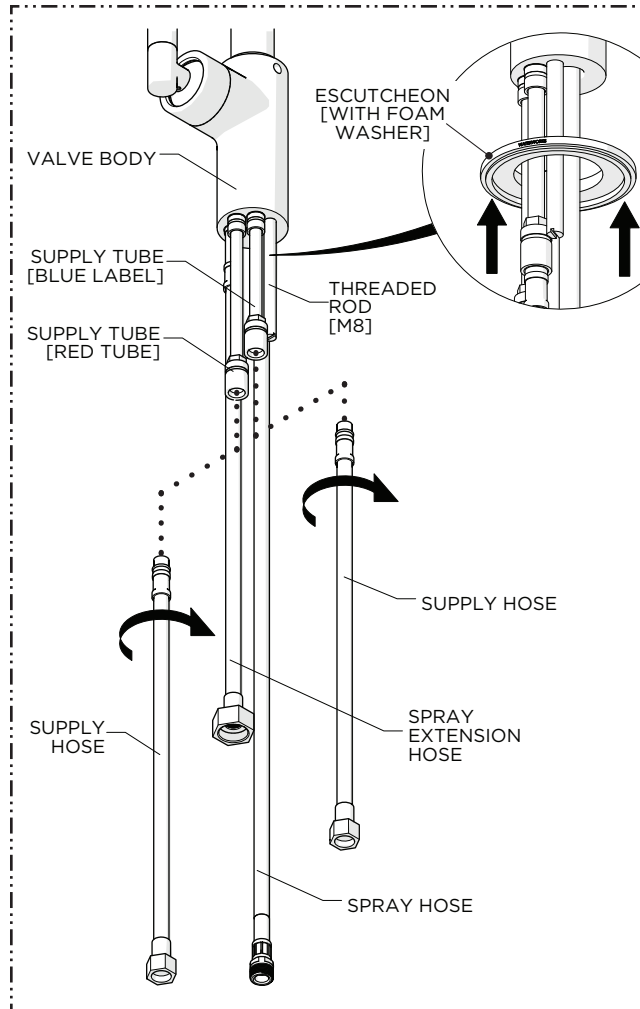
## GOOSENECK INTEGRATED PULL SPRAY KITCHEN FAUCETS

# WATERWORKS



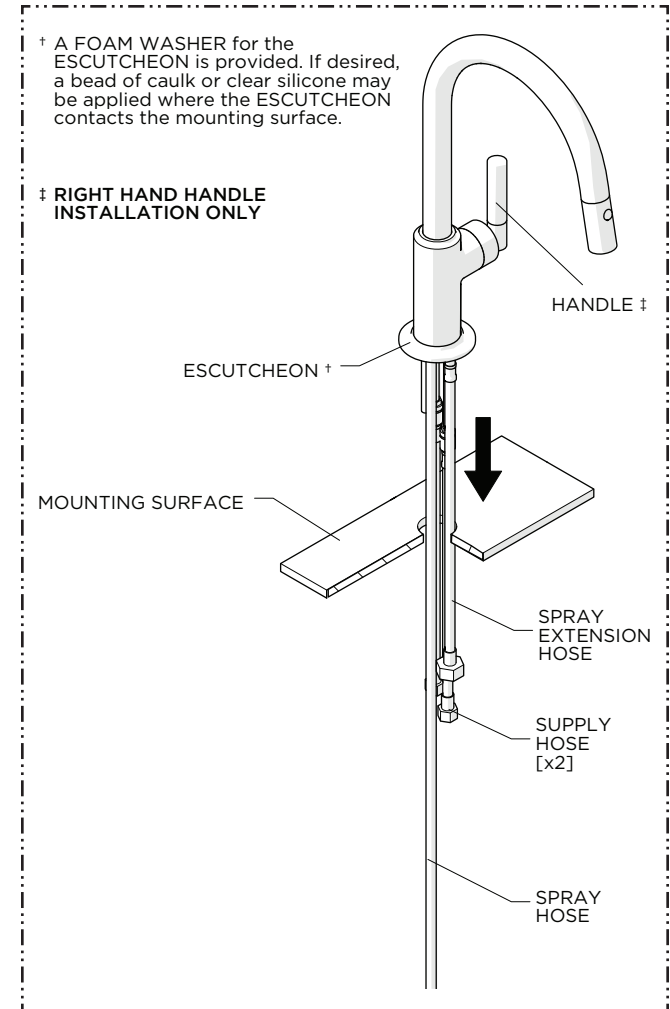
1. Slide the HANDLE onto the CARTRIDGE STEM until it is fully seated then securely tighten the SET SCREW at the base of the HANDLE.

**NOTE:** The SET SCREW is intended to wedge into the slot on the CARTRIDGE STEM. Make sure the STEM is properly aligned to securely install the HANDLE.



2. Thread and securely tighten the SUPPLY HOSES into the SUPPLY TUBES on the VALVE BODY then slide the ESCUTCHEON (with FOAM WASHER) over all HOSES, TUBES, and THREADED ROD.

**NOTE:** Ensure the THREADED ROD is securely tightened. Do **NOT** remove or loosen the THREADED ROD.



† A FOAM WASHER for the ESCUTCHEON is provided. If desired, a bead of caulk or clear silicone may be applied where the ESCUTCHEON contacts the mounting surface.

‡ RIGHT HAND HANDLE INSTALLATION ONLY

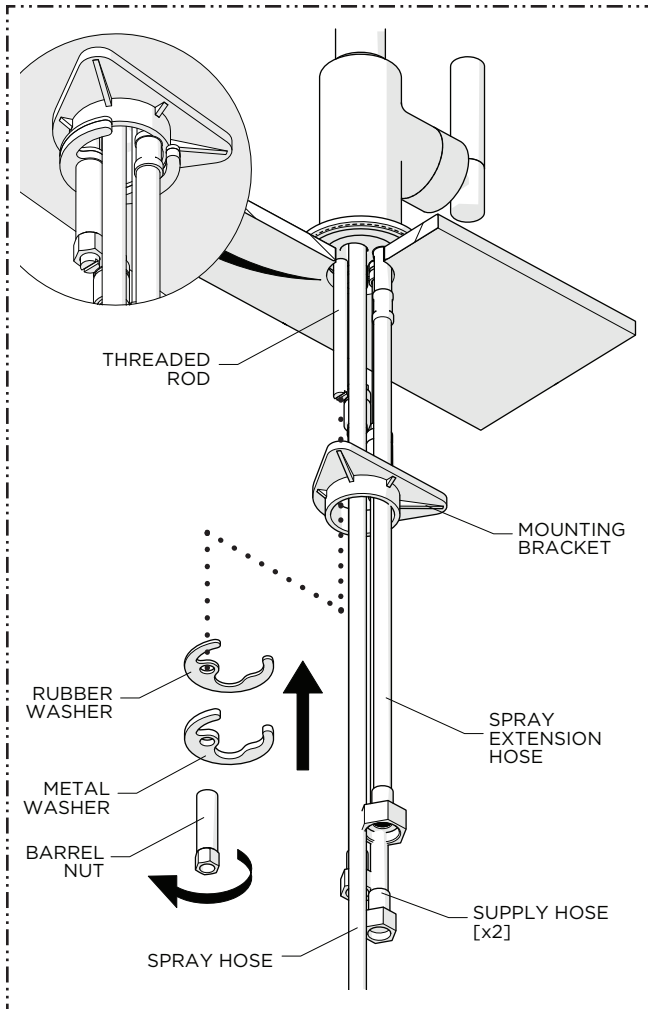
3. Insert the SPRAY and SUPPLY HOSES through the hole on the mounting surface making sure the FOAM WASHER provided is beneath the ESCUTCHEON and the HANDLE is aligned on the **right side** of the SPOUT.

**NOTE:** The HANDLE can **ONLY** be installed on the **right side**.

# INSTALLATION GUIDELINES

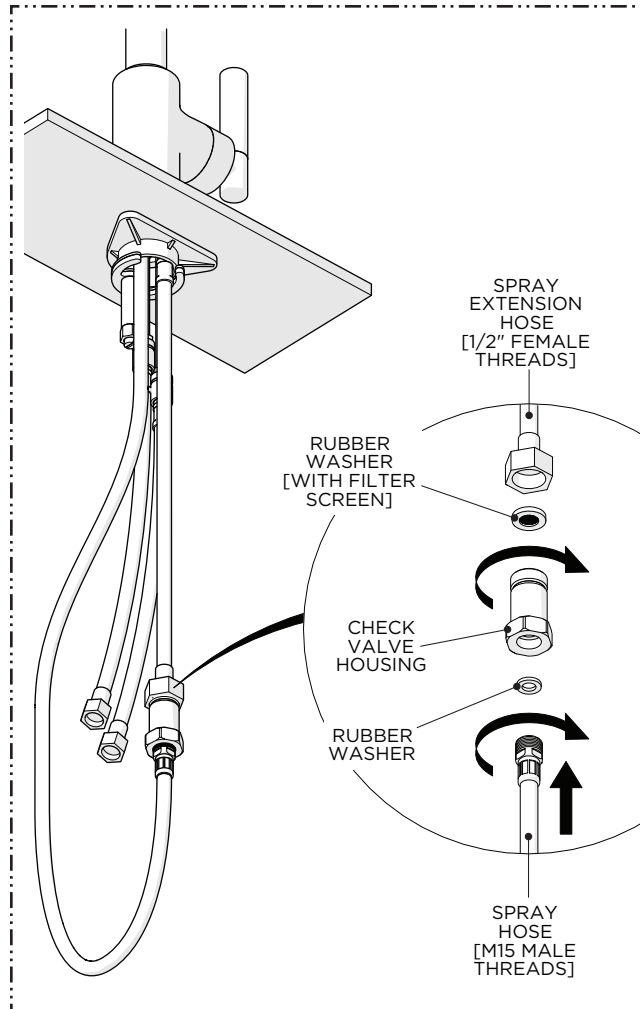
## GOOSENECK INTEGRATED PULL SPRAY KITCHEN FAUCETS

WATERWORKS



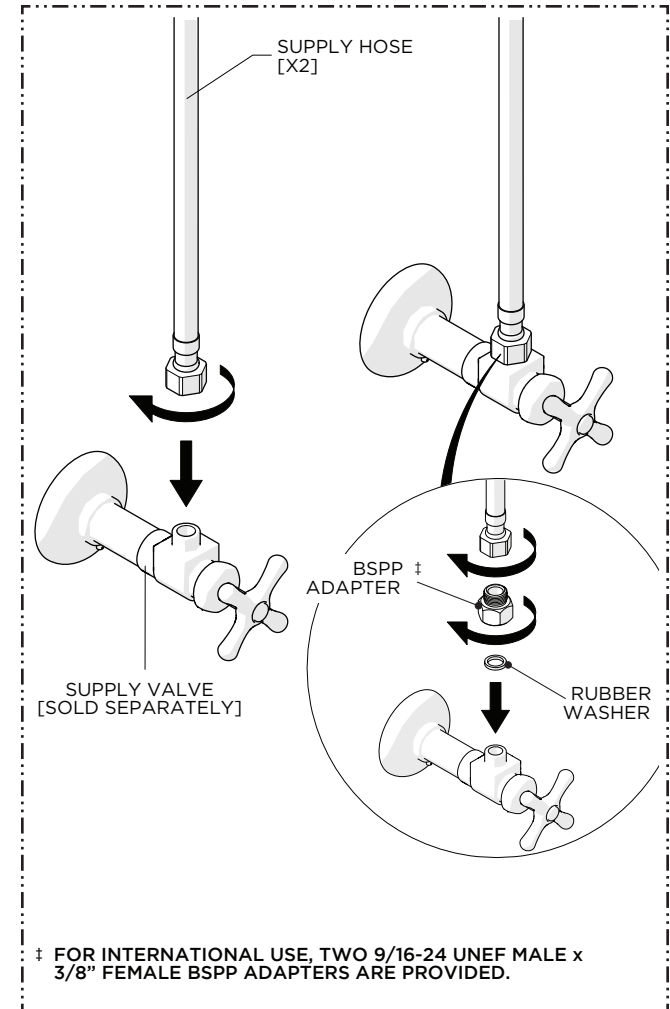
4. Slide the MOUNTING BRACKET over the HOSES and THREADED ROD and place the WASHERS onto ROD then thread and securely tighten the BARREL NUT onto the ROD.

**NOTE:** Ensure the WASHERS fit properly around the SUPPLY TUBES and HOSES and do **NOT** restrict free movement of the SPRAY HOSE.



5. Connect the SPRAY HOSE to the EXTENSION HOSE using the CHECK VALVE HOUSING and RUBBER WASHERS provided.

**NOTE:** There is a FLOW REGULATING CHECK VALVE inside the HOUSING.



† FOR INTERNATIONAL USE, TWO 9/16-24 UNEF MALE x 3/8" FEMALE BSPP ADAPTERS ARE PROVIDED.

**CAUTION: FLUSHING THE SUPPLY VALVES (SOLD SEPARATELY) PRIOR TO INSTALLING THE FAUCET IS RECOMMENDED.**

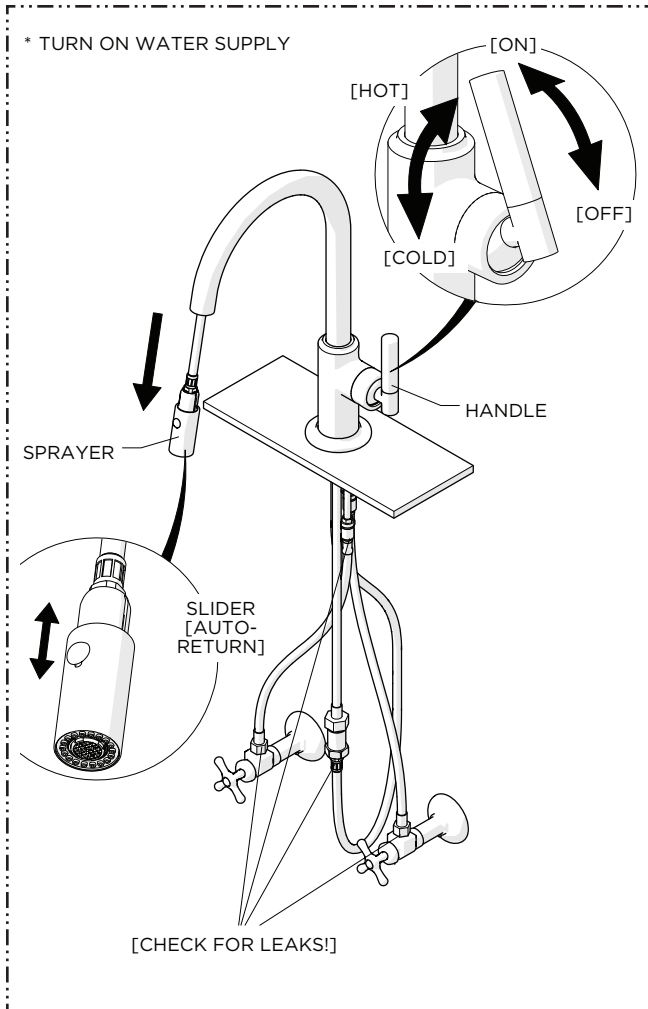
6. Thread and securely tighten the SUPPLY HOSES onto the SUPPLY VALVES.

**NOTE:** The HOSES are connected to SUPPLY TUBES that are marked BLUE for cold and RED for HOT.

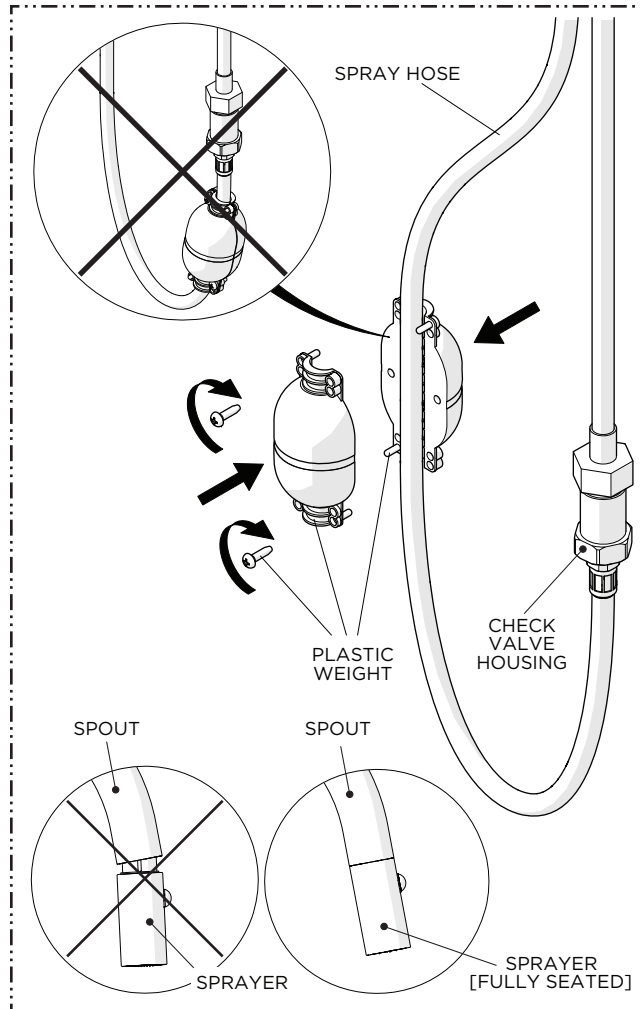
# INSTALLATION GUIDELINES

## GOOSENECK INTEGRATED PULL SPRAY KITCHEN FAUCETS

WATERWORKS

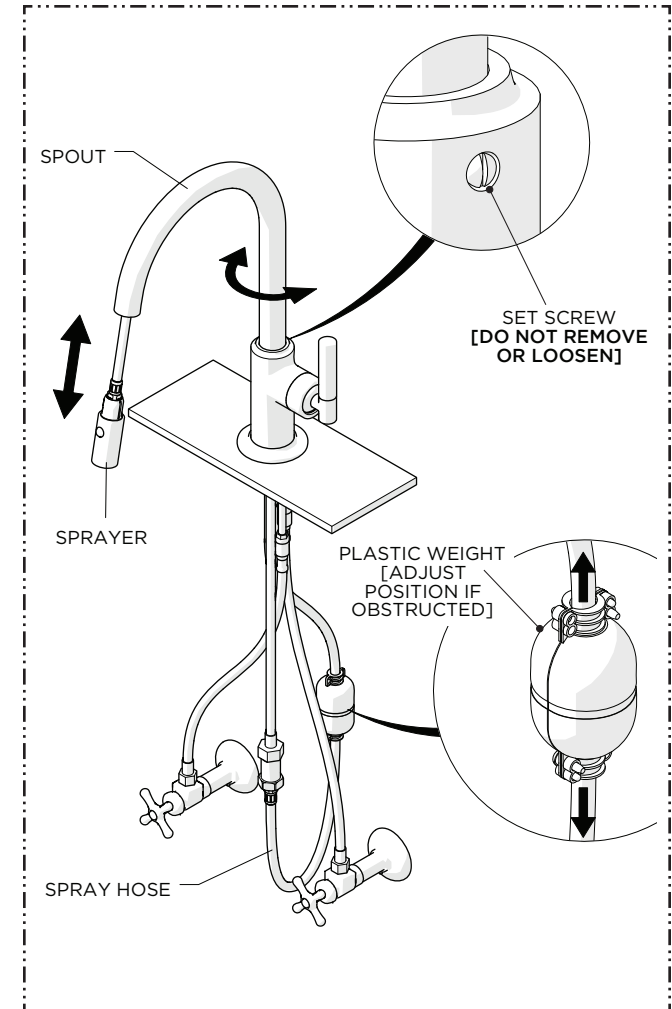


7. Turn on the water supply and operate the HANDLE and SPRAYER to ensure they function properly and to flush out any debris in the supply lines then check all connections for leaks and turn off the water.



8. Attach the PLASTIC WEIGHT to a **straight** section of the SPRAY HOSE that is opposite the CHECK VALVE HOUSING and **verify** that the SPRAYER seats properly into the SPOUT.

**TROUBLESHOOTING:** If the SPRAYER does **NOT** stay seated in the SPOUT, move the WEIGHT up the HOSE towards the mounting surface. Do **NOT** place the WEIGHT on a bend or past the bend in the HOSE.



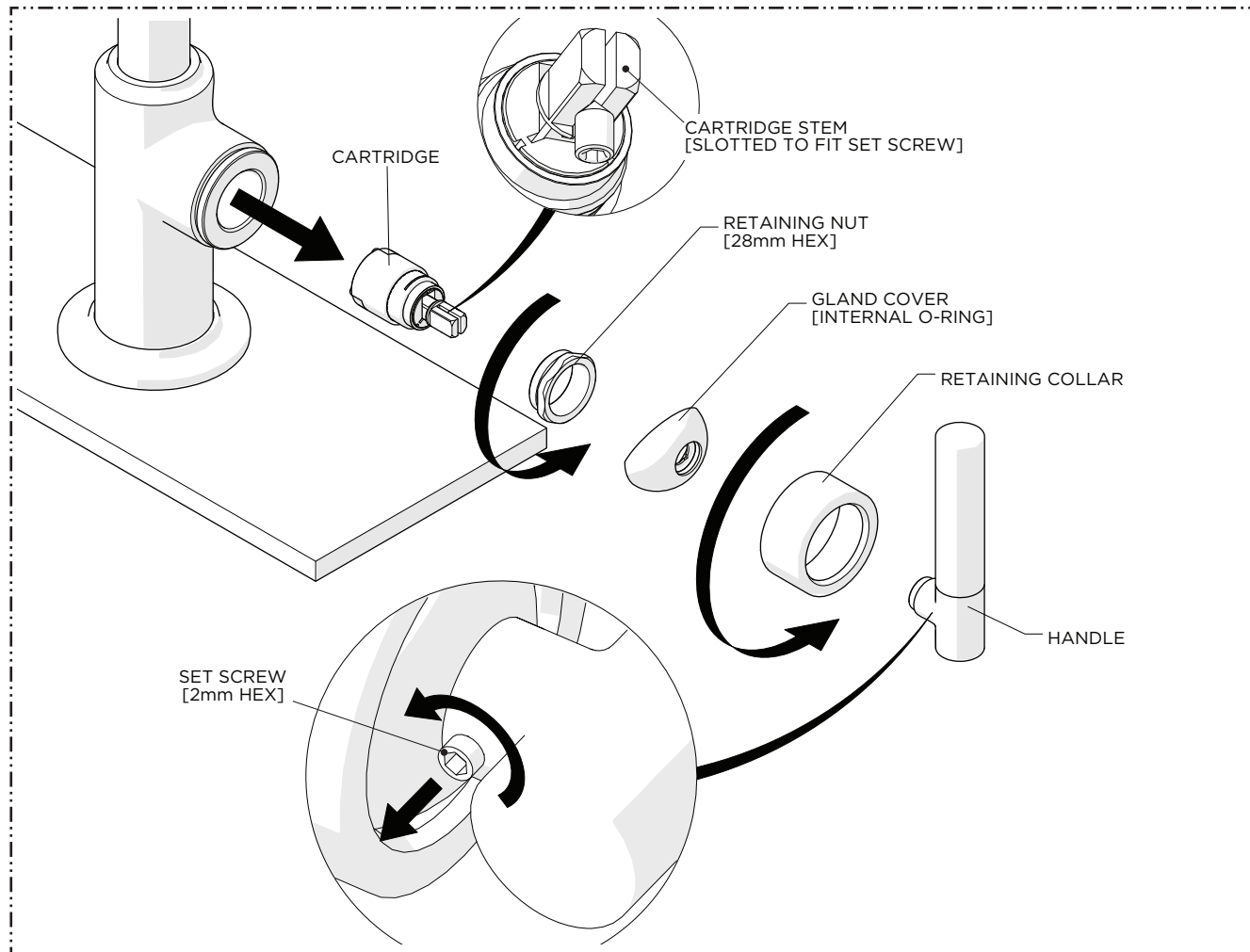
9. Pull out the SPRAYER and rotate the SPOUT to ensure the PLASTIC WEIGHT can move freely beneath the cabinet.

**NOTE:** Do **NOT** loosen or remove the SET SCREW behind the VALVE BODY.

# SERVICING GUIDELINES

## GOOSENECK INTEGRATED PULL SPRAY KITCHEN FAUCETS

WATERWORKS



### SERVICING THE CARTRIDGE:

1. Loosen, but do **NOT** remove, the SET SCREW then remove the HANDLE.
2. Unthread and remove the RETAINING COLLAR then remove the GLAND COVER.
3. Unthread and remove the RETAINING NUT then remove the CARTRIDGE.

**NOTE:** When replacing CARTRIDGE, make sure the slot on the CARTRIDGE STEM aligns properly with the SET SCREW to securely re-install the HANDLE.