

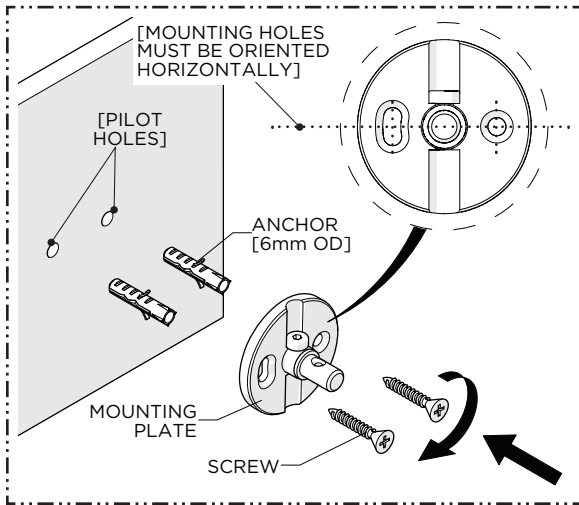
WATERWORKS INSTALLATION GUIDELINES

IMPORTANT:

- To ensure this product is installed properly, you must read and follow these guidelines.
- The owner/user of this product must keep this information for future reference.
- This product must be installed by a professional licensed contractor. Inspect this product to ensure you have all the parts required for proper installation.
- **DRYWALL ANCHORS** for a typical drywall installation are provided. Do **NOT** use the ANCHORS if mounting directly onto wood blocking or a stud.
- If further assistance is required, please contact Product Support at 1-800-927-2120 Monday through Friday, 8am - 6pm EST.
- Refer to the separate Service Parts Documents for available replacement parts.

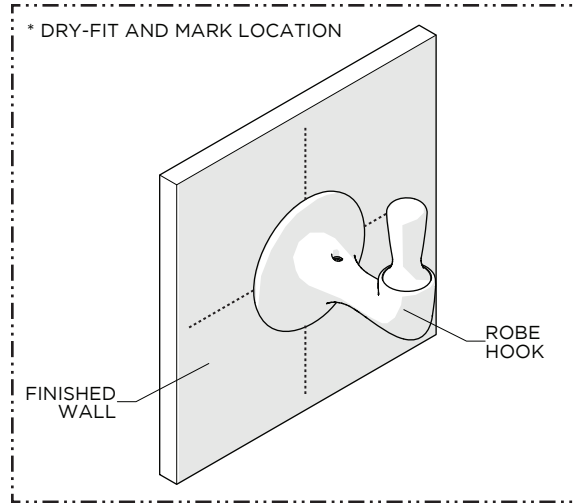
TECHNICAL DETAILS:

DETAIL	SPECIFICATION
PRIMARY MATERIAL	BRASS

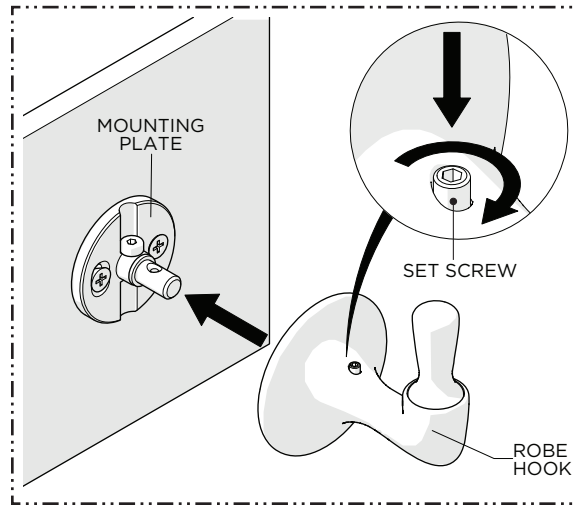


- Using the previous marks as a reference, install the MOUNTING PLATE using the ANCHORS, if necessary, and SCREWS provided.

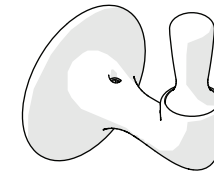
CAUTION: Ensure the MOUNTING PLATE is in the proper orientation.



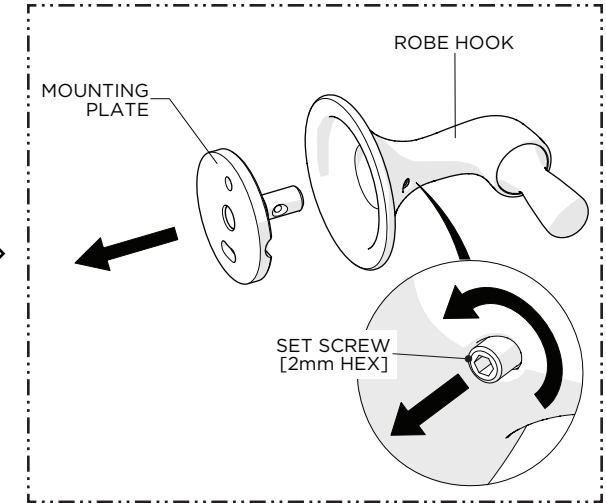
- Dry-fit the ROBE HOOK to the finished wall and mark the ideal location.



- Slide the ROBE HOOK onto the MOUNTING PLATE then thread and securely tighten the SET SCREW.



STYLE No. RRRH01
Riverun Wall Mounted Robe Hook



- Loosen, but do **NOT** remove, the SET SCREW on the side of the ROBE HOOK and remove the MOUNTING PLATE.

NOTE: Do **NOT** remove the SCREW on the MOUNTING PLATE.