

INSTALLATION GUIDELINES



STYLE No. FRTH01

Foro Thermostatic Control Valve Trim with Metal Lever Handle

IMPORTANT:

- To ensure this product is installed properly, you must read and follow these guidelines.
- The owner/user of this product must keep this information for future reference.
- This product must be installed by a professional licensed contractor and must be onsite prior to rough-in, this allows the installer to visualize the installation.
- Be sure your installation conforms to federal state, and local codes. In the State of Massachusetts, all installations must comply with the rules and regulations set forth within 248 CMR.
- This product is intended to work with the Waterworks Universal 3/4" Thermostatic Valve (Style No. **GUTH37**) which only mixes hot and cold water. It does not have volume or shut-off capabilities. A diverter or wall valve control on/off/volume and must be installed for each fitting that will have water flowing to it. **ALL VALVES AND TRIMS SOLD SEPARATELY.**
- **WARNING:** GUTH37 features anti-scald protection. The risk of scalding exists until the installer has properly calibrated/adjusted the temperature setting during final trim installation.
- Inspect this product to ensure you have all the parts required for proper installation. Product is sold partially assembled but shown fully disassembled for illustrative and service purposes only.
- Use only a strap wrench or protected/smooth-jaw wrench on any finished surface.
- The use of certain plumber's putty may stain stone or tile surfaces.
- If further assistance is required, please contact Product Support at 1-800-927-2120 Monday through Friday, 8am - 6pm EST.
- Refer to the separate Service Parts Documents for available replacement parts.

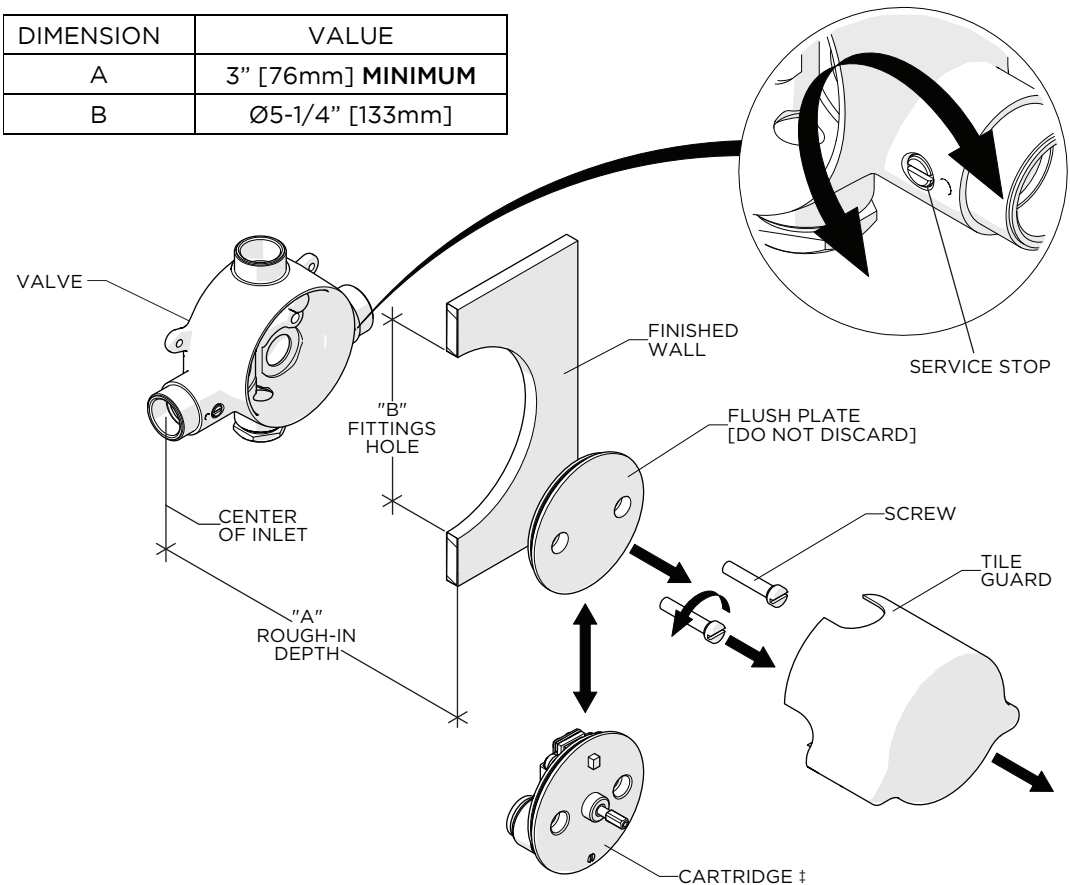
REQUIRED PLUMBING DETAILS:

- Universal 3/4" Thermostatic Valve
STYLE No. GUTH37

ROUGH-IN AND VALVE PREPARATION:

- **CAUTION:** Make sure the supply lines are flushed prior to final TRIM installation using the FLUSH PLATE provided with the VALVE. Refer to the Installation Guidelines provided with the VALVE for further information on how to properly flush the supply lines.

DIMENSION	VALUE
A	3" [76mm] MINIMUM
B	Ø5-1/4" [133mm]



‡ **IMPORTANT:** The CARTRIDGE is packaged separately and provided with the VALVE.

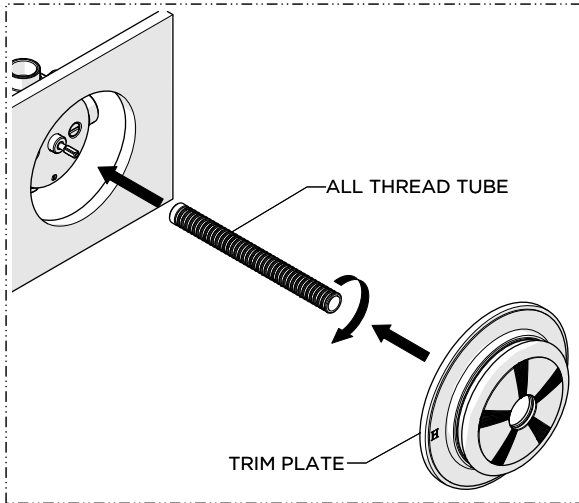
WATERWORKS

INSTALLATION GUIDELINES

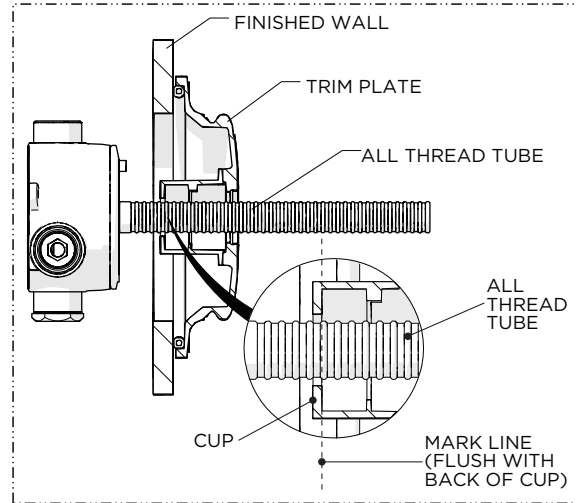
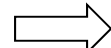


STYLE No. FRTH01

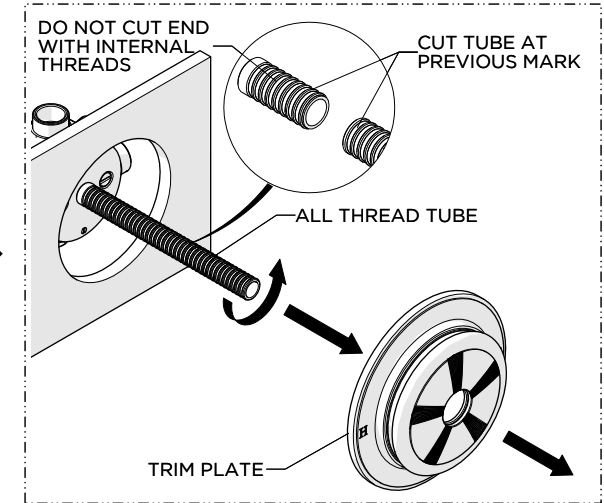
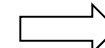
Foro Thermostatic Control Valve Trim with Metal Lever Handle



1. Thread the ALL THREAD TUBE onto the VALVE then slide the TRIM PLATE over the TUBE.

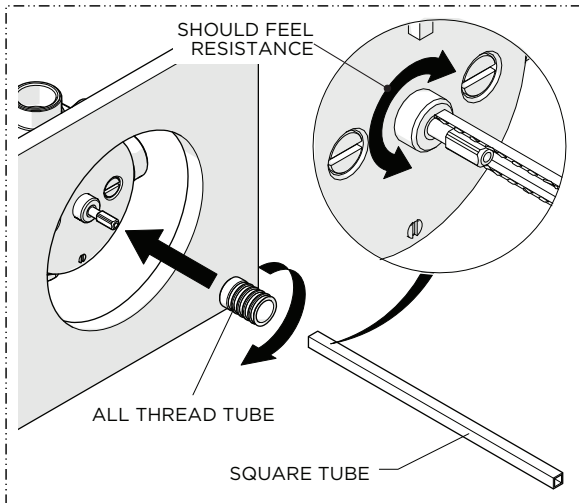


2. Firmly holding PLATE against the finished wall, mark the TUBE where it protrudes past the bottom of the recessed CUP.



3. Remove the TRIM PLATE and ALL THREAD TUBE then cut the TUBE at the previous mark.

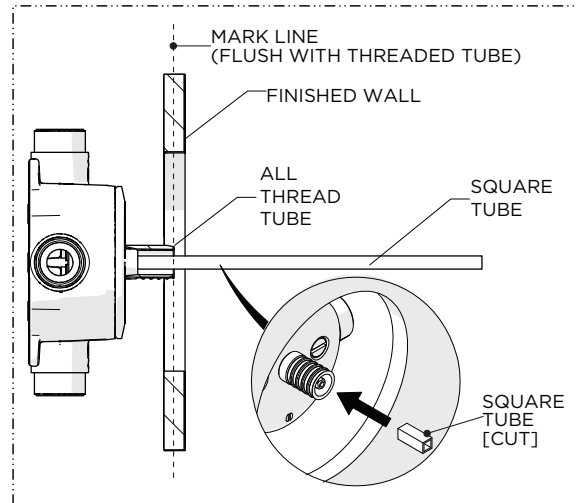
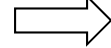
CAUTION: Do NOT cut the end with the internal threads.



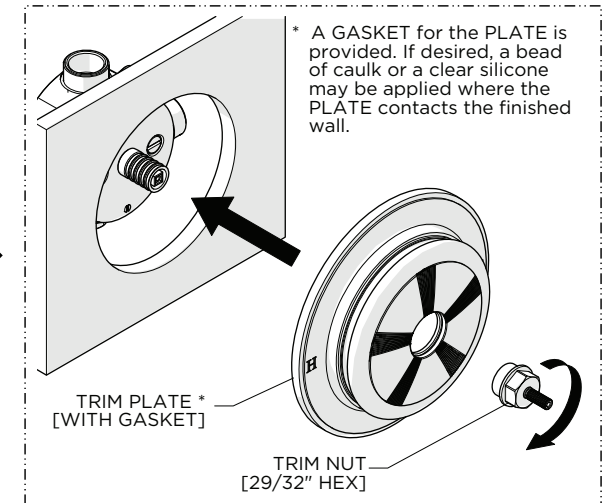
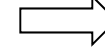
4. Thread the ALL THREAD TUBE back onto the CARTRIDGE and insert the SQUARE TUBE into the ALL THREAD TUBE then, by feel, make sure it slides over the CARTRIDGE STEM and is fully seated.

NOTE: When seated properly, the SQUARE TUBE will have rotational resistance.

PRODUCT SUPPORT | 800.927.2120 | WATERWORKS.COM



5. Mark the SQUARE TUBE where it passes through the front face of the ALL THREAD TUBE, remove and cut the SQUARE TUBE at the previous mark then re-insert the TUBE back into the ALL THREAD TUBE.



6. Place the TRIM PLATE over the ALL THREAD TUBE then, making sure the NUT aligns properly with the SQUARE TUBE, thread and securely tighten the TRIM NUT onto the TUBE using a 29/32" SHOWER VALVE SOCKET WRENCH (not supplied).

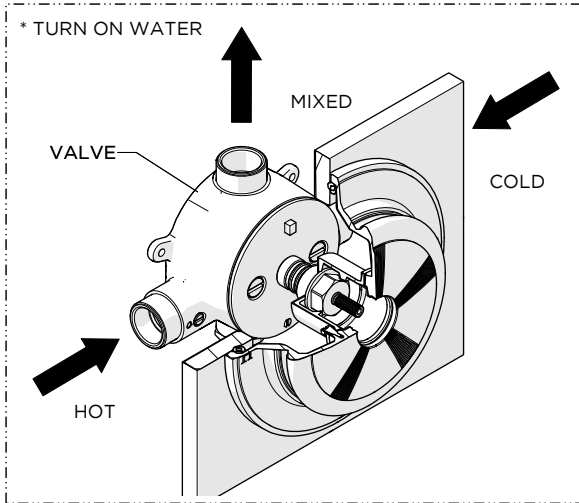
WATERWORKS

INSTALLATION GUIDELINES

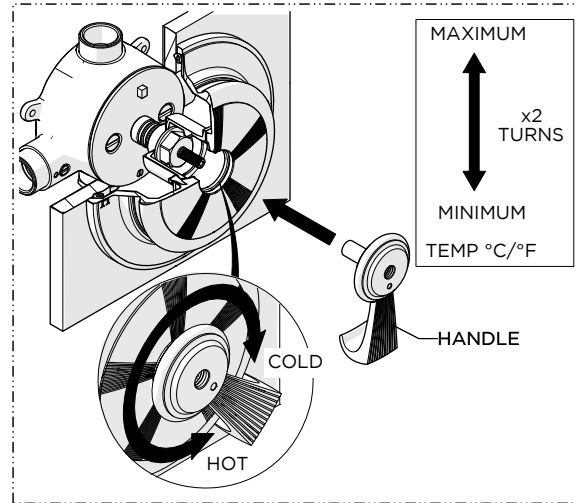


STYLE No. FRTH01

Foro Thermostatic Control Valve Trim with Metal Lever Handle

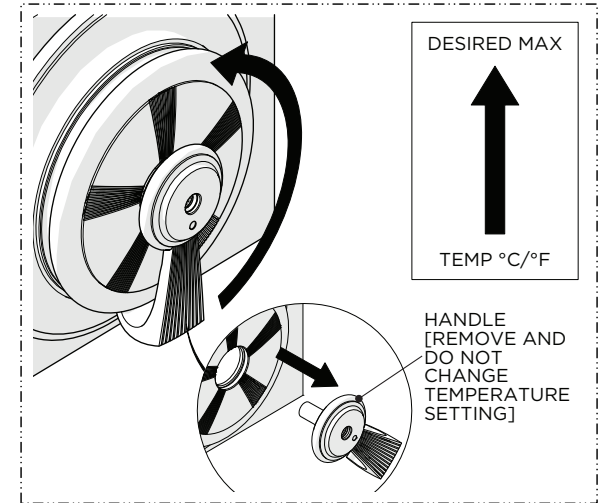


7. Turn on the water supply and open a diverter or wall valve (sold separately) to run water through the THERMOSTATIC VALVE.

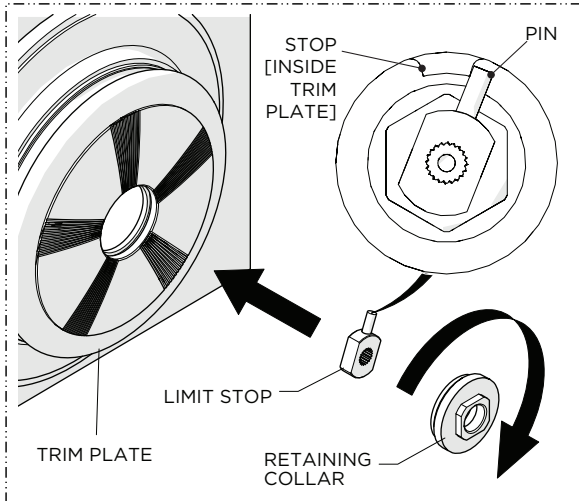


8. Place the HANDLE onto the TRIM NUT and slowly rotate clockwise to attain full cold then counterclockwise to attain full hot and verify a full range of temperatures exists.

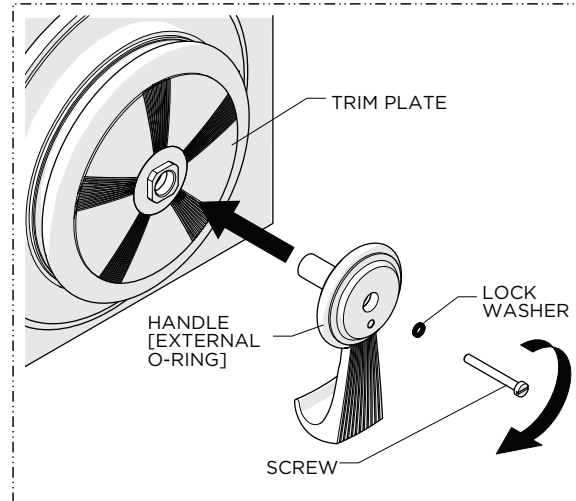
NOTE: It's approximately 2 complete rotations.



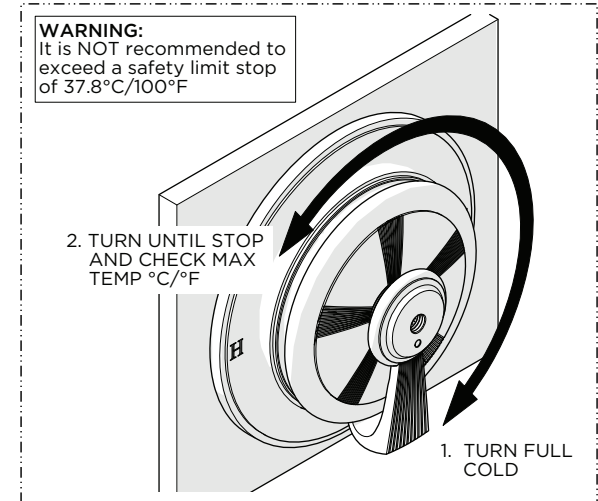
9. With water running, rotate the HANDLE to adjust the temperature to the **maximum** desired bathing temperature, verified with a thermometer. Turn the water off, remove the HANDLE and make sure **NOT** to change this setting.



10. Place the LIMIT STOP onto the TRIM NUT making sure the PIN makes contact with the STOP on the TRIM PLATE then thread and securely tighten the RETAINING COLLAR into the PLATE.



11. Insert the HANDLE into the RETAINING COLLAR and onto the TRIM NUT in the desired orientation then thread and securely tighten the SCREW using the LOCK WASHER provided.



12. Verify the maximum desired bathing temperature set in Step 9. If it is not the correct temperature, repeat the calibration procedures.

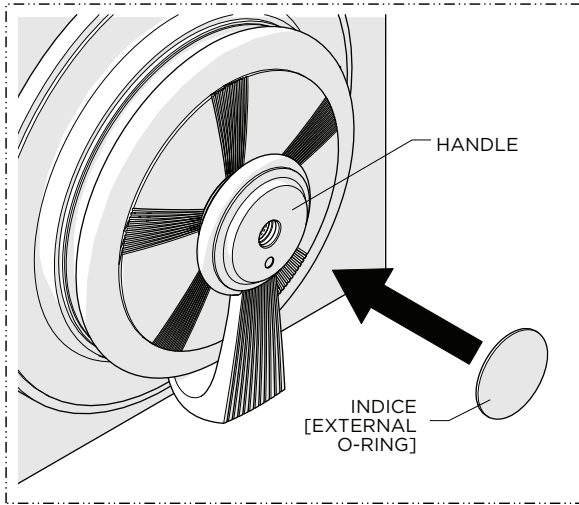
WARNING: It is NOT recommended to exceed a safety limit stop of 37.8°C/100°F.

INSTALLATION GUIDELINES

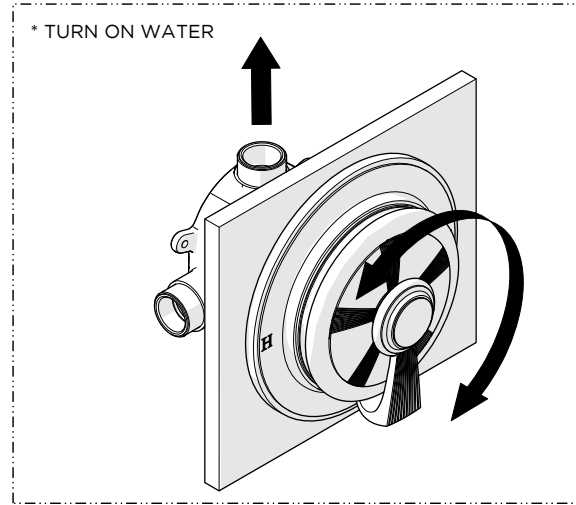
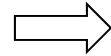


STYLE No. FRTH01

Foro Thermostatic Control Valve Trim with Metal Lever Handle



13. Insert the INDICE into the HANDLE.



14. Turn on the water supply and operate the HANDLE to ensure that it is functioning properly.