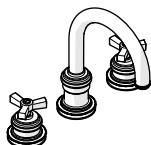


INSTALLATION GUIDELINES



STYLE No. AELS40

Aero Gooseneck Three Hole Deck Mounted Lavatory Faucet with Metal Cross Handles



STYLE No. AELS50

Aero Gooseneck Three Hole Deck Mounted Lavatory Faucet with Metal Lever Handles

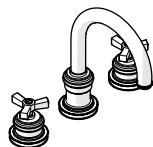
IMPORTANT:

- To ensure this product is installed properly, you must read and follow these guidelines.
- The owner/user of this product must keep this information for future reference.
- This product must be installed by a professional licensed contractor.
- Be sure your installation conforms to federal state, and local codes. In the State of Massachusetts, all installations must comply with the rules and regulations set forth within 248 CMR.
- Inspect this product to ensure you have all the parts required for proper installation. Product is sold partially assembled but shown fully disassembled for illustrative and service purposes only.
- Use only a strap wrench or protected/smooth-jaw wrench on any finished surface.
- The use of certain plumber’s putty may stain stone or tile surfaces.
- If further assistance is required, please contact Product Support at 1-800-927-2120 Monday through Friday, 8am - 6pm EST.
- Refer to the separate Service Parts Documents for available replacement parts.

TECHNICAL DETAILS:

DETAIL	SPECIFICATION
DECK THICKNESS MAXIMUM	1-1/16" [27mm] MAX
DRAIN DEPTH	3/8" [10mm] MIN 2-5/8" [67mm] MAX
DRAIN HOLE DIAMETER	Ø1-3/4" [44mm]
DRAIN STYLE	PUSH TOUCH
FITTINGS HOLE DIAMETER	Ø1-3/8" [35mm]
HANDLE SPREAD	8" [203mm] MIN 12" [305mm] MAX
HANDLE TURN ANGLE	QUARTER TURN
INLET CONNECTION	1/2" MALE WITH SUPPLY NUT
SPOUT REACH	6" [152mm]
WATER PRESSURE RANGE	20psi [1.5 bar] MIN 85psi [6.0 bar] MAX
WATER PRESSURE RECOMMENDED	45psi [3.0 bar]

INSTALLATION GUIDELINES



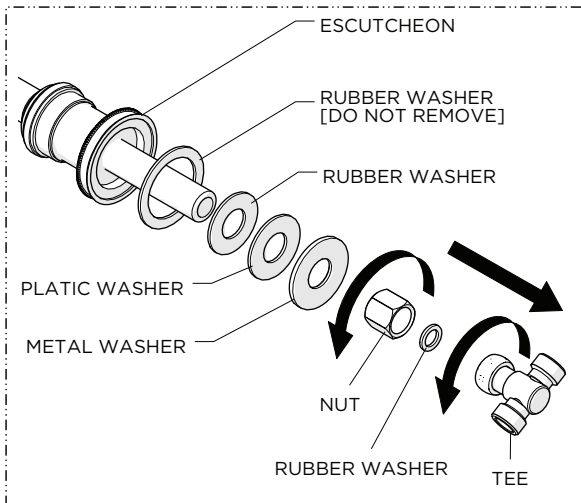
STYLE No. AELS40

Aero Gooseneck Three Hole Deck Mounted Lavatory Faucet with Metal Cross Handles



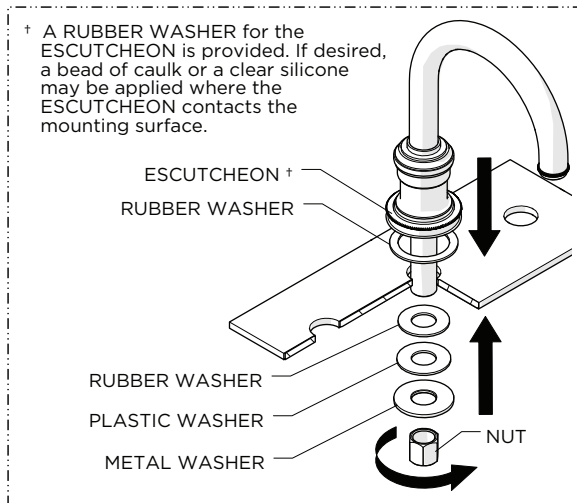
STYLE No. AELS50

Aero Gooseneck Three Hole Deck Mounted Lavatory Faucet with Metal Lever Handles

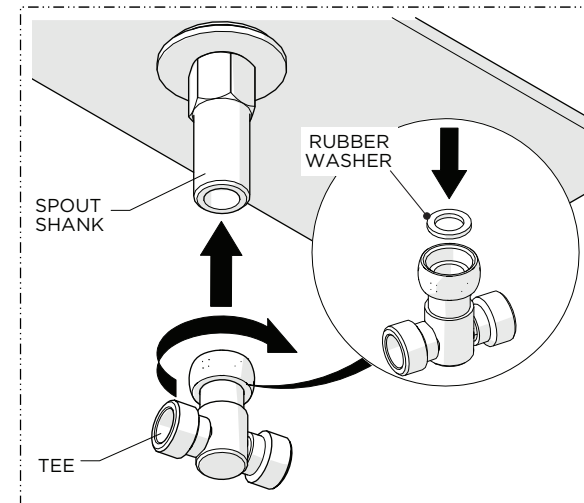


1. Remove the TEE, NUT, and lower deck WASHERS from the SPOUT.

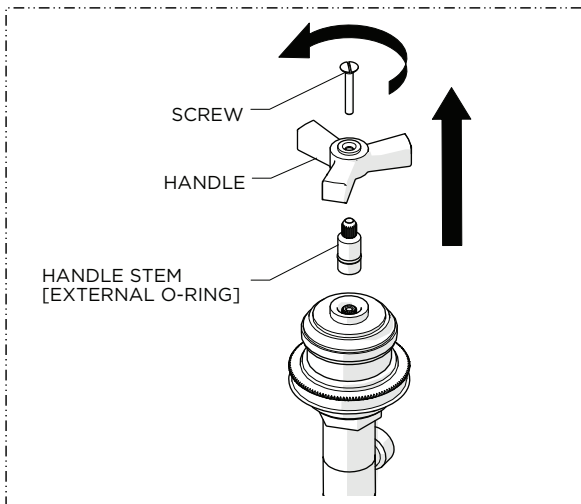
NOTE: Do **NOT** remove the RUBBER WASHER beneath the ESCUTCHEON or discard the RUBBER WASHER provided with the TEE.



2. Using the RUBBER WASHER provided, insert the SPOUT through the hole on the mounting surface then re-install the WASHERS and NUT. Ensure the SPOUT is properly aligned then securely tighten the NUT.

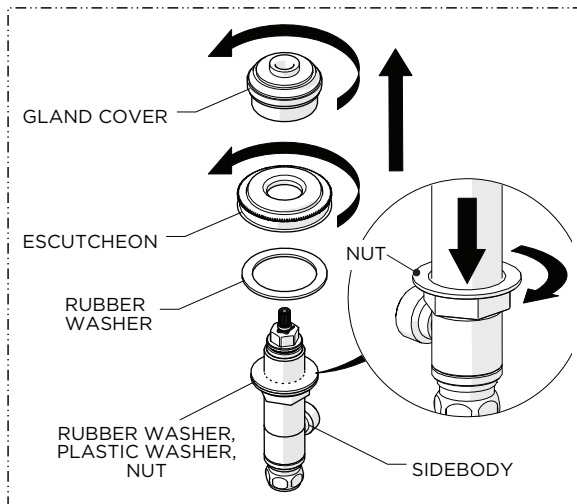


3. Insert the RUBBER WASHER provided into the TEE then thread and securely tighten the TEE onto the SPOUT SHANK.



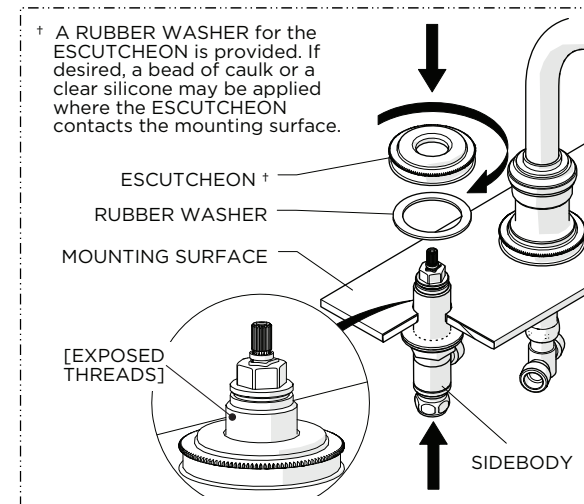
4. Unthread the SCREW then remove the HANDLE and HANDLE STEM.

NOTE: Do **NOT** remove the external O-RING from the STEM.



5. Remove the GLAND COVER, ESCUTCHEON and RUBBER WASHER from the SIDEBODY then fully thread the NUT down.

NOTE: Do **NOT** remove the lower deck WASHERS.



6. Using the RUBBER WASHER provided, thread the ESCUTCHEON back onto the SIDEBODY then let it rest on the mounting surface.

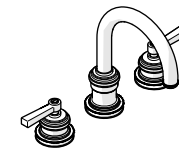
NOTE: Leave some **exposed** threads above the ESCUTCHEON.

INSTALLATION GUIDELINES



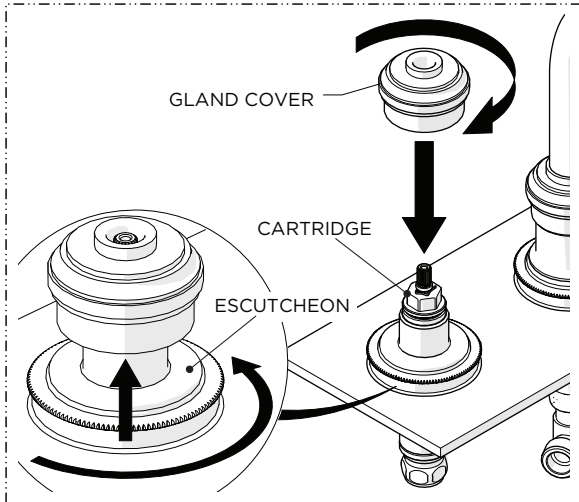
STYLE No. AELS40

Aero Gooseneck Three Hole Deck Mounted Lavatory Faucet with Metal Cross Handles

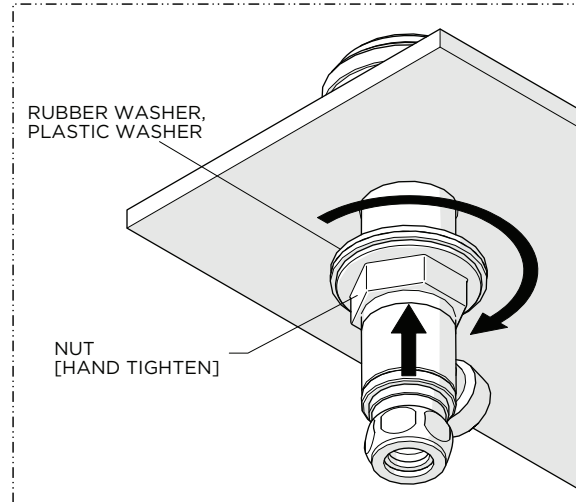


STYLE No. AELS50

Aero Gooseneck Three Hole Deck Mounted Lavatory Faucet with Metal Lever Handles

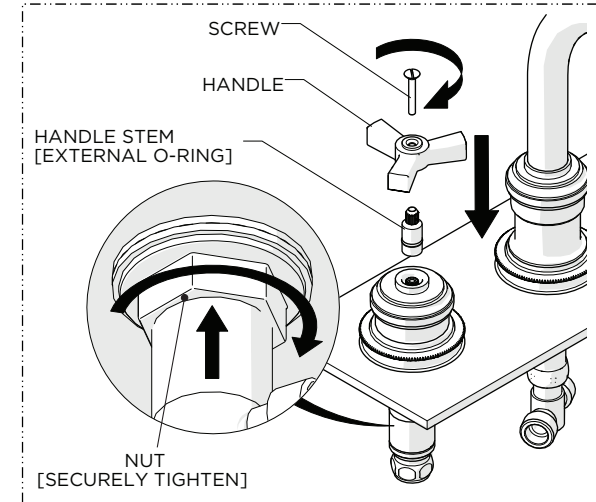


7. Thread the GLAND COVER onto the CARTRIDGE until it stops then unthread the ESCUTCHEON until it contacts the GLAND COVER

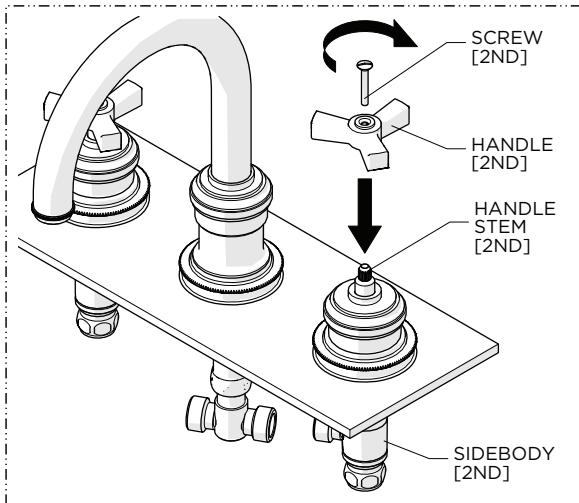


8. Hand-tighten the NUT against the underside of the mounting surface.

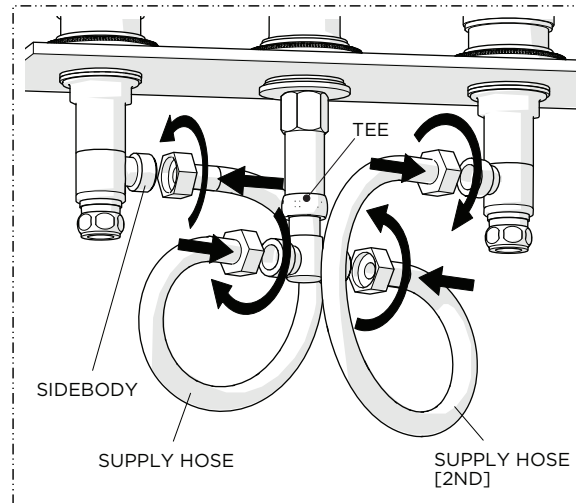
NOTE: Do **NOT** over-tighten the NUT to allow for proper handle alignment during the HANDLE installation.



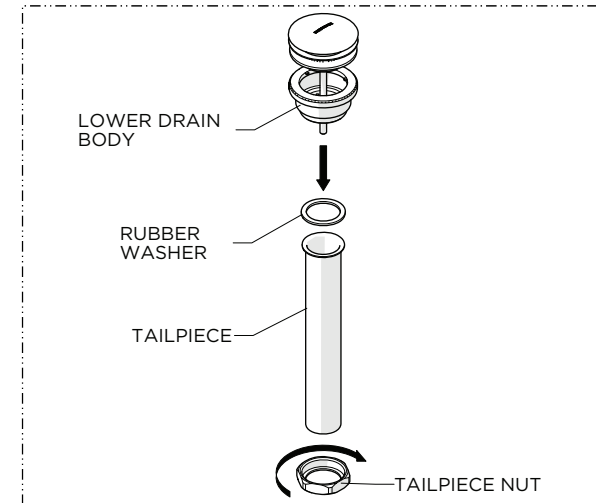
9. Fully insert the HANDLE STEM into the GLAND COVER and place the HANDLE onto the STEM then thread and securely tighten the SCREW. Ensure the HANDLE is in the desired orientation then securely tighten the NUT.



10. Repeat Steps 4 through 9 to install the second (2ND) HANDLE.



11. Connect the SIDEBODY to the TEE using the SUPPLY HOSE provided. Securely tighten the HOSES and ensure they are not pinched/kinked.



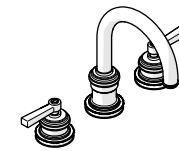
12. Remove the TAILPIECE from the LOWER DRAIN BODY.

INSTALLATION GUIDELINES



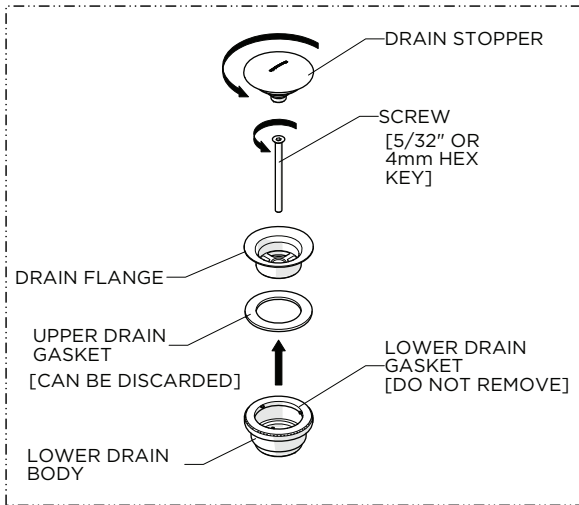
STYLE No. AELS40

Aero Gooseneck Three Hole Deck Mounted Lavatory Faucet with Metal Cross Handles



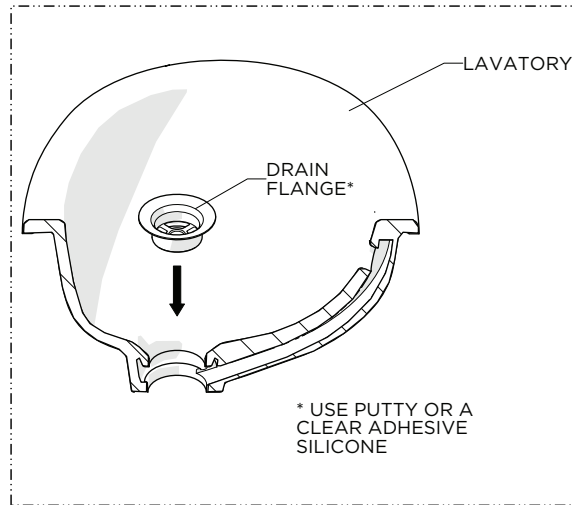
STYLE No. AELS50

Aero Gooseneck Three Hole Deck Mounted Lavatory Faucet with Metal Lever Handles

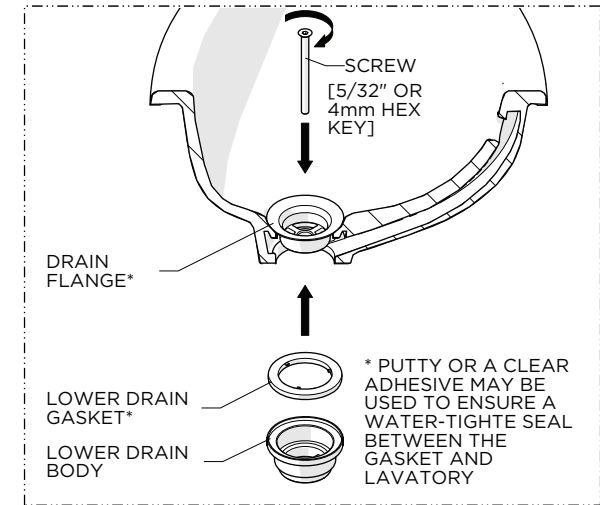


13. Unthread and remove the DRAIN STOPPER and LOWER DRAIN BODY from the DRAIN FLANGE. The UPPER DRAIN GASKET can be discarded.

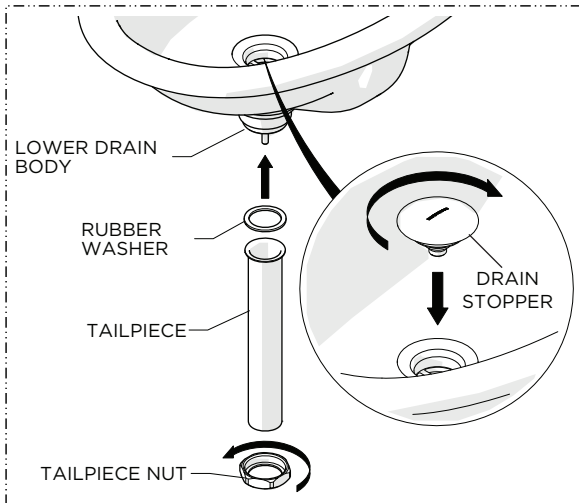
CAUTION: Do **NOT** discard the LOWER DRAIN GASKET.



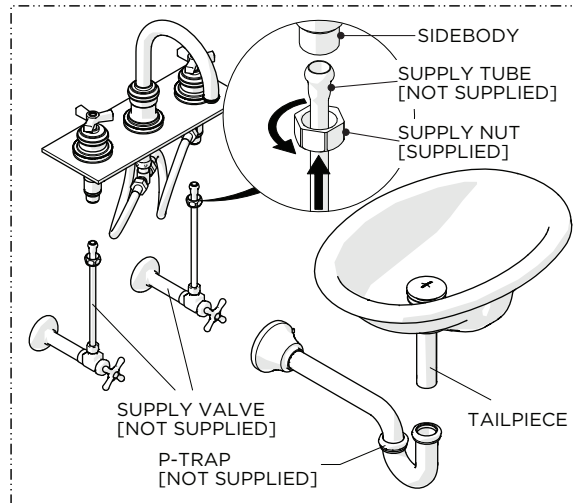
14. Set the DRAIN FLANGE in the LAVATORY (sold separately) using putty or a clear adhesive silicone.



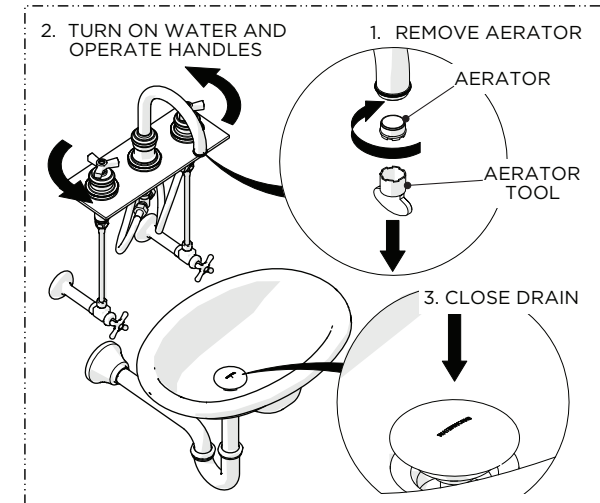
15. Re-install the LOWER DRAIN BODY making sure to use the GASKET provided. Ensure the GASKET makes a full seal on the underside of the lavatory then securely tighten the SCREW.



16. Re-install the DRAIN STOPPER then the TAILPIECE using the WASHER and NUT provided.



17. Make final P-TRAP (sold separately) and SUPPLY VALVE (sold separately) connections.



18. Remove the AERATOR, turn on the water to flush out the supply lines, inspect all connections for leaks, and close the DRAIN to ensure it functions properly. Turn off and drain the water then re-install the AERATOR.