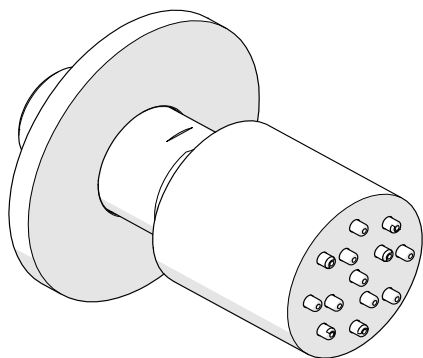


# UNIVERSAL

1-3/8" Cylindrical Body Spray

# INSTALLATION GUIDELINES

## Style No.UNBS13



### SPECIFICATIONS:

Connection Type: 1/2" Male NPT  
Recommended Pressure: 45psi  
Restricted Maximum Flow Rate:1.0 gpm.[3.8 L/min]  
Rough-in Depth: 3/8" MIN - 3/4" MAX  
[10mm MIN - 19mm MAX]

### IMPORTANT:

- A diverter or wall valve (sold separately) control on/off/volume and must be installed for each fitting that will have water flowing to it.
- To ensure this product is installed properly, you must read and follow these guidelines.
- The owner/user of this product must keep this information for future reference.
- Be sure your installation conforms to federal, state, and local codes. In the State of Massachusetts, all installations must comply with the rules and regulations set forth within 248 CMR.
- This product must be installed by a professional licensed contractor and must be onsite prior to rough-in, this allows the installer to visualize the installation.
- Inspect this product to ensure you have all the parts required for proper installation.
- Use only a strap wrench or protected/smooth-jaw wrench on any finished surface.
- The use of certain plumber's putty can stain stone or tile surfaces

### BODY SPRAY INSTALLATION:

- See Figure 1 & Figure 2 for Steps 1& 2.
- 1. Determine the ideal location for the BODY SPRAY(S) and make sure the female connection is 3/8" MIN to 3/4" MAX from the finished wall.

2. Thread the ADAPTER into the female fitting, using an 8mm Allan key.
3. Slide the ESCUTCHEON onto the ADAPTER, making sure the GASKET is behind. And then thread the BODY SPRAY HEAD onto the adapter.

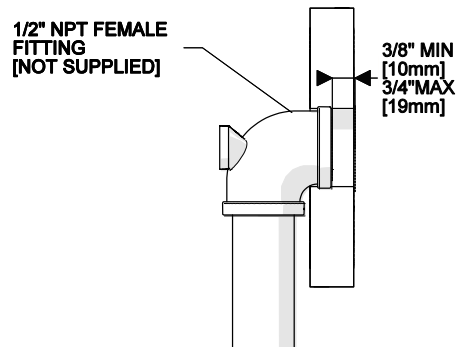


FIGURE - 01

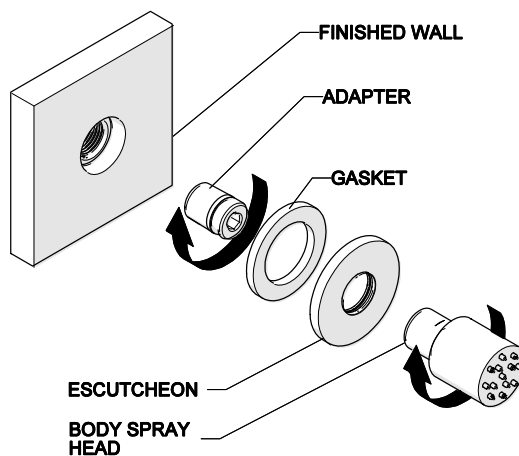


FIGURE - 02

### INSPECT THE INSTALLATION:

4. Remove the body spray head from the adapter. Turn on the wall valve/diverter (sold separately) to flush out any debris in the supply line.
- **NOTE: There is a filter located in the body spray head that should be cleaned if there is a loss in performance.**
5. Inspect all connections for leaks.
6. Turn off supply and re-attach the body spray head to the adapter.
- If further assistance is required, please contact Product Support at 1-800-927-2120 (8am-6pm EST).
- See service part document for parts ordering, available on WATERWORKS.COM

These guidelines have been prepared for the professional contractor to aid in the installation of: UNIVERSAL 1-3/8" CYLINDRICAL BODY SPRAY (STYLE# UNBS13)  
All dimensions are based on original specification and are subject to change and variation.  
Please consult your Design Associate for current specifications.

# WATERWORKS