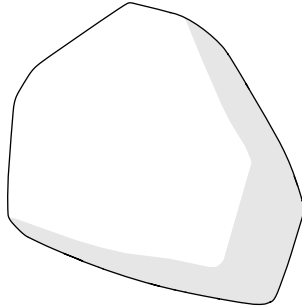
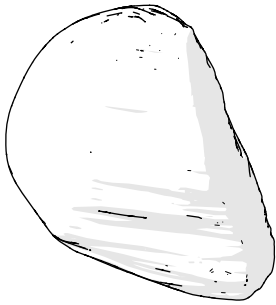


**STYLE No. ISVC01**  
with Metal Petra Handle

**STYLE No. ISVC05**  
with Metal Geode Handle



**SPECIFICATIONS:**

Control Valve Rough-in Depth Min: 3-1/8" [79mm]  
Control Valve Rough-in Depth Max: 4-5/8" [117mm]  
Fittings Hole Diameter: Ø1-3/8" [35mm]

**REQUIRED PLUMBING DETAILS:**

Universal 3/4" Counter-Clockwise Open Volume Control Valve

**STYLE No. GUV16** or

Universal 3/4" Clockwise Open Volume Control Valve

**STYLE No. GUV17**

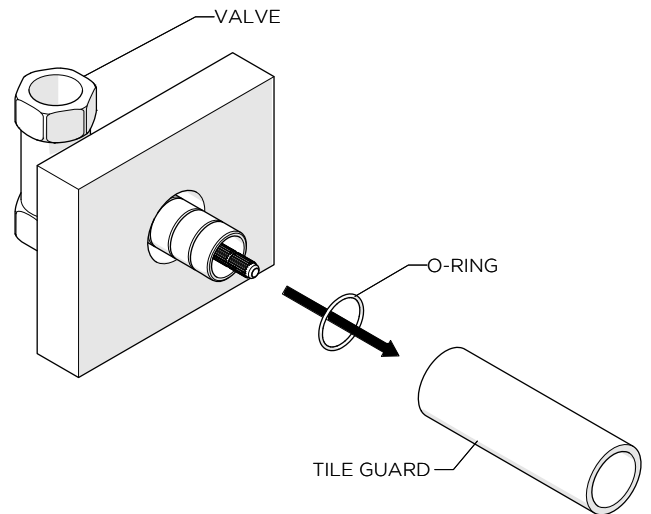
**IMPORTANT:**

- To ensure this product is installed properly, you must read and follow these guidelines.
- The owner/user of this product must keep this information for future reference.
- This product must be on-site prior to rough-in. This allows the installer to visualize the installation.
- This product must be installed by a professional licensed contractor. Be sure your installation conforms to all federal, state, and local codes. In the State of Massachusetts, all installations must comply with the rules and regulations set forth within 248 CMR.
- Wall valves (SOLD SEPARATELY) control on, off and volume and must be installed for each fitting that will have water flowing to it. If using a wall valve with the Universal 3/4" Thermostatic Valve (Style No. GUTH37R - SOLD SEPARATELY), refer to the Installation Guidelines for the Thermostatic Valve which contains related installation information.
- Refer to the specification and assembly drawings attached. Product is sold partially assembled but shown fully disassembled for illustrative and service purposes only.
- Inspect the product to ensure you have all the parts required for proper installation. Use only a strap wrench or protected/smooth-jaw wrench on any finished surface.

- The use of certain plumber's putty may stain stone or tile surfaces.

**TRIM INSTALLATION:**

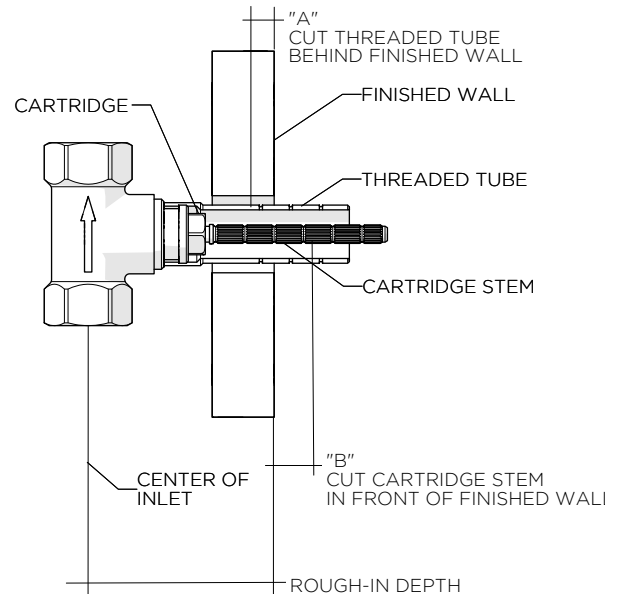
1. Remove the TILE GUARD and the O-RING from the VALVE as shown in Figure - 01.



**FIGURE - 01**

- See Figure - 02 for steps 2 & 3

DIMENSION	VALUE (INCHES)
A	5/16"
B	1/4"



**FIGURE - 02**

2. Mark the THREADED TUBE as shown then remove and cut the TUBE.

These guidelines have been prepared for the professional contractor to aid in the installation of:  
ISLA VOLUME CONTROL VALVE TRIM WITH METAL PETRA HANDLE (STYLE No. ISVC01) &  
ISLA VOLUME CONTROL VALVE TRIM WITH METAL GEODE HANDLE (STYLE No. ISVC05).  
All dimensions are based on original specification and are subject to change and variation.  
Please consult your Design Associate for current specifications.

3. Mark the CARTRIDGE STEM as shown then remove the CARTRIDGE and cut the STEM.
  4. Thread and securely tighten the CARTRIDGE into the VALVE and then thread the TUBE back onto the CARTRIDGE.
  5. Thread the ADAPTER onto the THREADED TUBE making sure to include the RUBBER GASKET then securely tighten using a 24mm wrench. See Figure - 03. The ADAPTER will need to properly align with the CARTRIDGE STEM in order for the ADAPTER to thread onto the TUBE.
- NOTE: A GASKET for the ADAPTER is provided. If desired, a bead of caulk or a clear silicone may be applied where the ADAPTER contacts the finished wall. The use of certain plumber's putty may stain stone or tile surfaces.

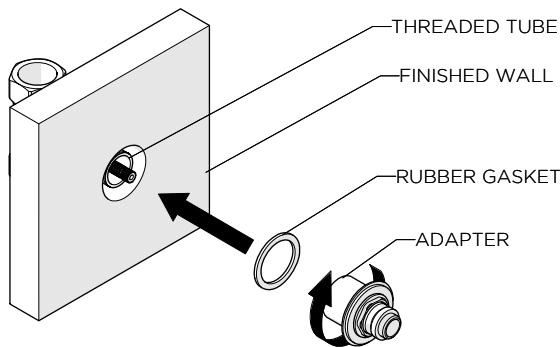


FIGURE - 03

6. Thread the COLLAR onto the ADAPTER and securely tighten the SET SCREW using a 2.5mm HEX KEY. See Figure - 04.

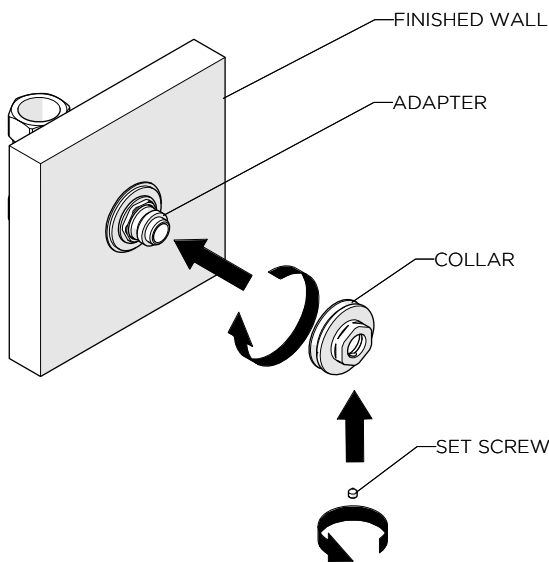


FIGURE - 04

7. Place the HANDLE over the COLLAR in the desired orientation and securely tighten the SET SCREW using a 2.5mm HEX KEY. See Figure - 05.

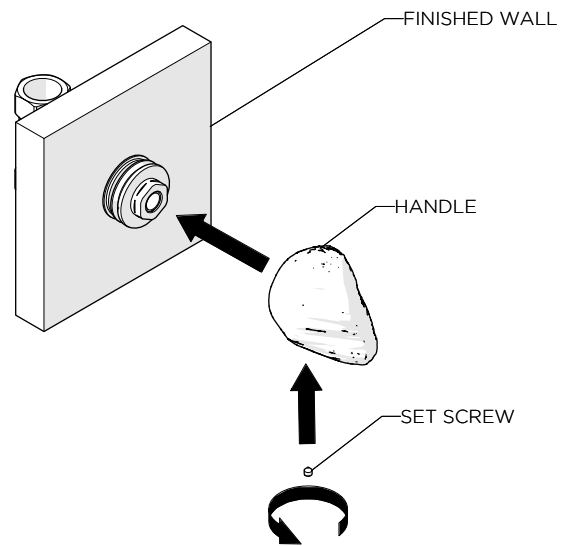


FIGURE - 05

### INSPECT AND FINISH THE INSTALLATION:

8. Turn on the water supply and operate the HANDLE to ensure that it is functioning properly.
- If further assistance is required, please contact Product Support at 1-800-927-2120 Monday through Friday, 8am - 6pm EST.
- Refer to the separate Service Parts Documents for available replacement parts.