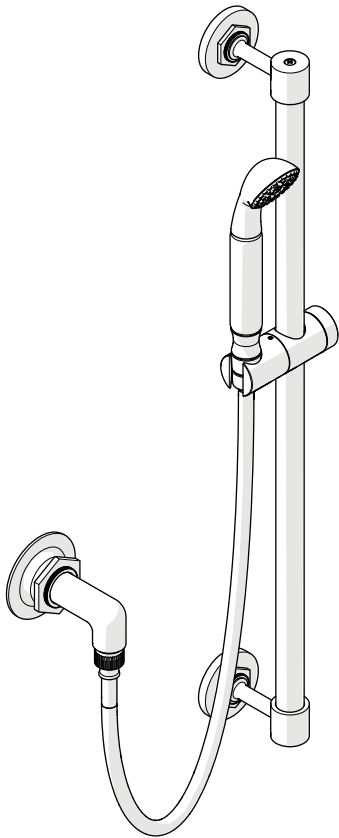


STYLE No. HNHS10†



SPECIFICATIONS:

Adjustable versus Fixed Spray: Fixed Spray
Diameter of Head: 1-7/8" [48mm]
Fittings Hole Diameter: 1-1/4" [32mm]
Hose Length: 59" [1.5m]
Inlet Connection: 1/2" Female NPT
Integrated Diverter: No
Pivot: Yes
Restricted Maximum Flow Rate: 2.5gpm [9.5L/min]
Water Pressure Minimum: 20psi [1.5bar]
Water Pressure Maximum: 85psi [6.0bar]
Water Pressure Recommended: 45psi [3.0bar]

† UK Style No. **HN10HS** is supplied with 1 **BSP** adapter, assembly required.

IMPORTANT:

- To ensure this product is installed properly, you must read and follow these guidelines.
- The owner/user of this product must keep this information for future reference.
- This product must be installed by a professional licensed contractor.
- Ensure the installation conforms to all federal, state, and local codes. In the State of Massachusetts, all installations must comply with the rules and regulations set forth within 248 CMR.

- A diverter or wall valve (sold separately) and trim must be installed to control on/off/volume functions.
- Adequate blocking in the wall is required.
- Inspect this product to ensure you have all the parts required for proper installation.
- Use only a strap wrench or protected/smooth-jaw wrench on any finished surface.
- **DO NOT** use putty. Putty contains oils and can cause permanent discoloration on certain materials such as marble, granite and any porous surface

ROUGH IN:

1. Install a diverter or wall valve (sold separately) at the desired location.
2. Finish the rough-in by installing a well supported 1/2" female elbow (not supplied) and install a 1/2" NPT nipple (not supplied) of appropriate length. Ensure the front face of the nipple is 5/8" [16mm] from the finished wall as shown in Figure - 01.

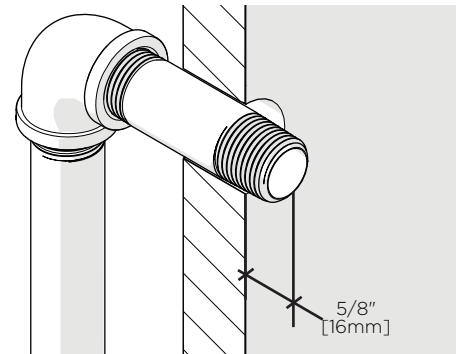


FIGURE - 01

3. Determine the ideal location of the bar assembly, based on the clients preferences, and install adequate wood blocking or position over a stud to properly secure the bar.

ELBOW AND BAR INSTALLATION:

4. Slide the escutcheon up the elbow then thread the elbow onto the nipple and securely tighten.

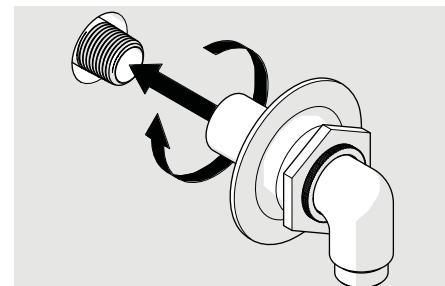


FIGURE - 02

These guidelines have been prepared for the professional contractor to aid in the installation of:
HENRY HANDSHOWER ON BAR WITH METAL HANDLE (STYLE No. HNHS10, HN10HS).
All dimensions are based on original specification and are subject to change and variation.
Please consult your Design Associate for current specifications.

WATERWORKS

5. Slide the escutcheon against the finished wall. If necessary, a bead of clear adhesive silicone sealant can be applied to the escutcheon. Make sure to wipe away any excess sealant.
6. Install the bar mounting plates at the proper on-center spread of 24" [609mm].

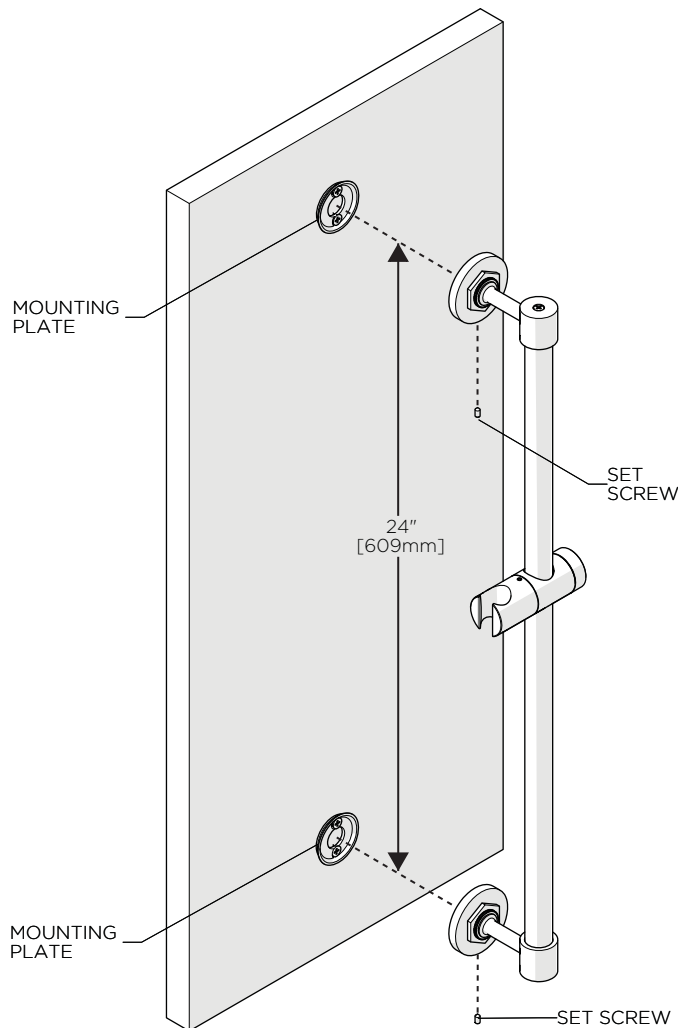


FIGURE - 03

7. Place the bar assembly over the mounting plates and tighten the set screws on the escutcheons. Ensure the set screws are securely tightened.
8. Connect the conical end of the hose to the handshower and the other end to the elbow.
9. Place the handshower into the adjustable hook.
 - a. The hook can be rotated to adjust the angle of the handshower.
 - b. To adjust the height of the hook, loosen the round knob on the opposite side of the hook.
10. Turn on the water and inspect all connections for leaks.

- If further assistance is required, please contact Product Support at 1-800-927-2120 Monday through Friday, 8am-6pm EST.
- Refer to the separate Service Parts Document for available replacement parts.
- The BSP adapters can be ordered separately:
 - Universal 1/2" NPT Male x 1/2" BSP 50mm Long Male Nipple Adapter
STYLE No. UNUK04

These guidelines have been prepared for the professional contractor to aid in the installation of: HENRY HANDSHOWER ON BAR WITH METAL HANDLE (STYLE No. HNHS10, HN10HS). All dimensions are based on original specification and are subject to change and variation. Please consult your Design Associate for current specifications.

WATERWORKS