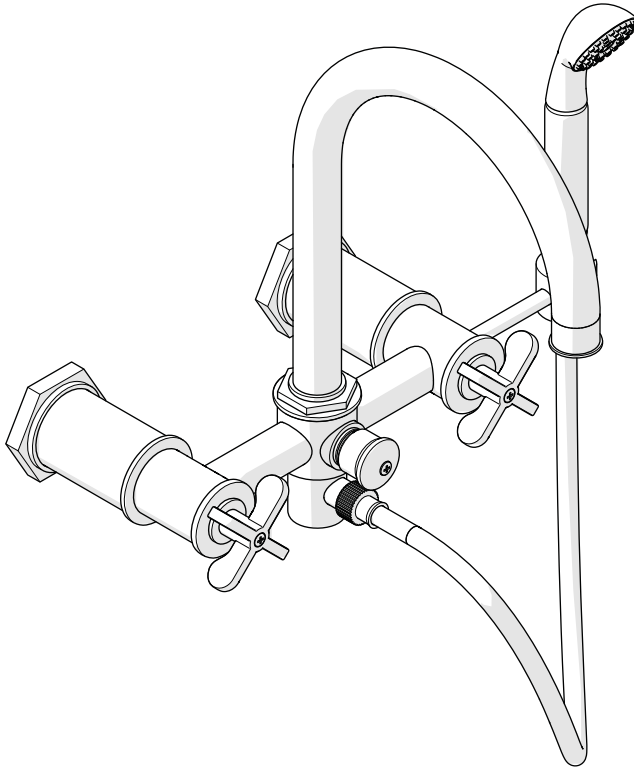
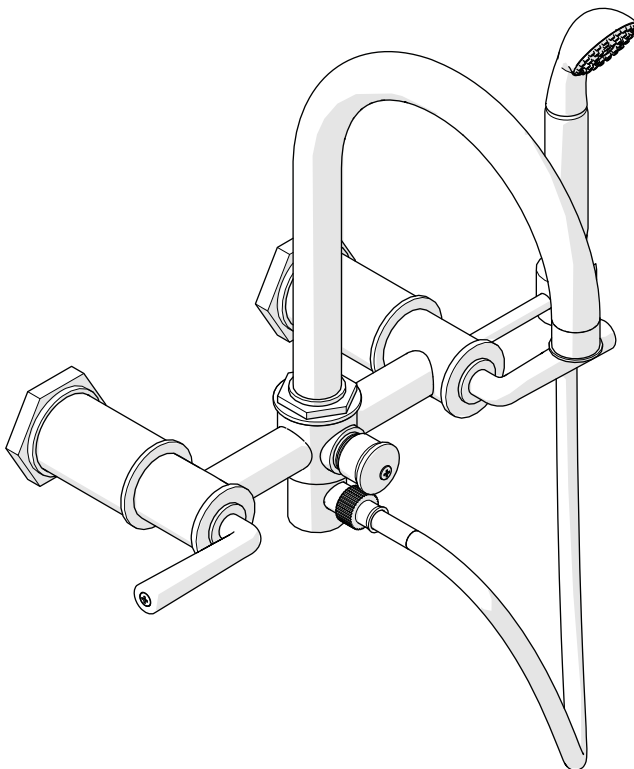


STYLE No. HNXT20
with Cross Handles
CODE No. HNTU20



STYLE No. HNXT30
with Lever Handles



SPECIFICATIONS:

Fittings Hole Diameter: Ø1-1/8" [29mm]
Handshower Hose Length: 59" [1.5m]
Inlet Connection: 3/4" Copper Sweat
Inlet Supply Spread: 8" [203mm] (NOT ADJUSTABLE)
Integrated Diverter: Yes
Restricted Max Flow Rate (Handshower Only): 2.5gpm [9.5L/min]
Spout Reach: 8-5/16" [211mm]
Water Pressure Minimum: 20psi [1.5 bar]
Water Pressure Maximum: 85psi [6.0 bar]
Water Pressure Recommended: 45psi [3.0 bar]

IMPORTANT:

- To ensure this product is installed properly, you must read and follow these guidelines.
- The owner/user of this product must keep this information for future reference.
- Be sure your installation conforms to all federal, state, and local codes. Anti-scald protection is the responsibility of the installer and according to applicable codes. In the State of Massachusetts, all installations must comply with the rules and regulations set forth within 248 CMR.
- This product must be installed by a professional licensed contractor.
- Product should be on-site prior to rough-in. This allows the installer to visualize the installation and verify the center spread.
- Refer to the specification and assembly drawings attached. Product is sold partially assembled but shown fully disassembled for illustrative and service purposes only.
- Check tub measurements to assure the spout projects far enough into the tub.
- Inspect this product to ensure you have all parts required for proper installation. Use only a strap wrench or protected/smooth-jaw wrench on any finished surface.
- Run 3/4" supply lines for maximum flow.
- Install accessible hot and cold service stop valves to facilitate servicing.

ROUGH-IN:

1. Run well supported 3/4" hot and cold copper supply lines for maximum water flow. The final distance the supply lines must project from the surface of the finished wall is 2-1/4".
2. Verify the supply lines are secure, level, at the proper spread of 8" (NOT ADJUSTABLE) and equal depths.

These guidelines have been prepared for the professional contractor to aid in the installation of:
HENRY EXPOSED WALL MOUNTED TUB FILLER WITH HANDSHOWER AND METAL CROSS HANDLES (STYLE No. HNXT20) & HENRY EXPOSED WALL MOUNTED TUB FILLER WITH HANDSHOWER AND METAL LEVER HANDLES (STYLE No. HNXT30).
All dimensions are based on original specification and are subject to change and variation.
Please consult your Design Associate for current specifications.

WATERWORKS

TUB FILLER INSTALLATION:

- **IMPORTANT:** Verify the 8" inlet supply spread prior to installation.
- 3. Slide the 3/4" sweat adapters over the copper supply lines and hold flush against the finished wall. The supply lines should not protrude more than 1/2" beyond the adapters. See Figure - 01.

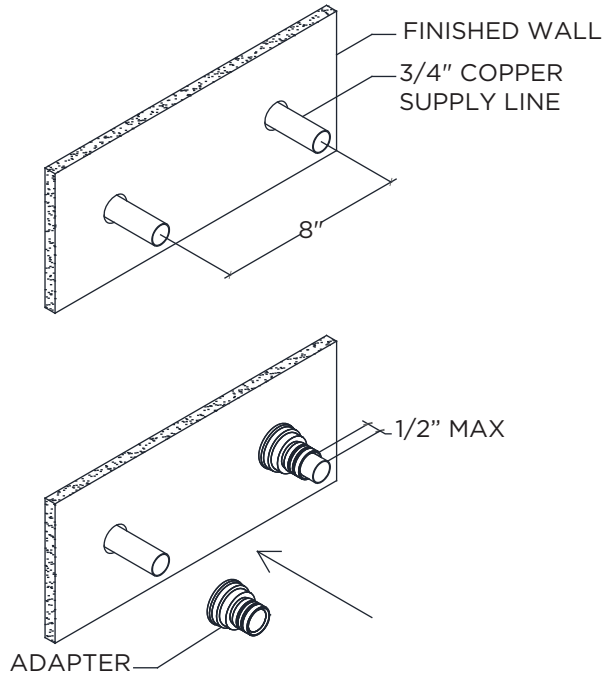


FIGURE - 01

- 4. Solder the copper supply lines to the inner diameter of the adapters.
- 5. Install the o-rings onto the sweat adapters. DO NOT install the o-rings prior to soldering the adapters to prevent damage to the o-rings. See Figure - 02.

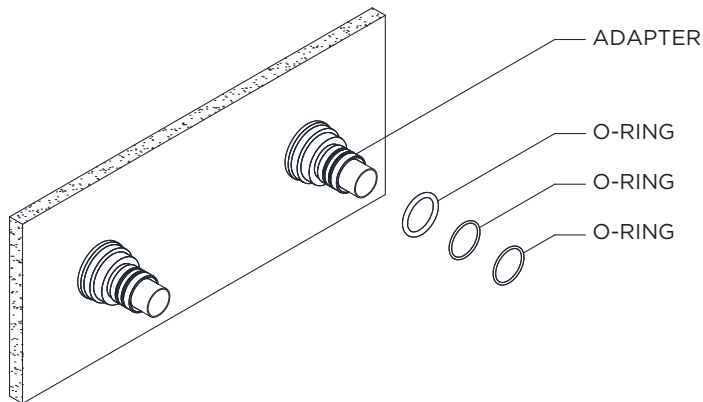


FIGURE - 02

- 6. Align the spout properly and securely tighten the set screw. The spout should not swivel when properly installed.
- 7. Slide the escutcheons up the unions.
- 8. Align the unions over the sweat adapters and thread the unions onto adapters until securely tightened. See Figure - 03.

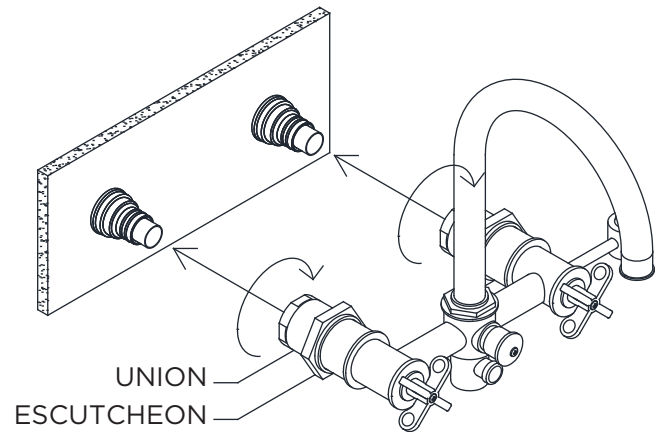


FIGURE - 03

- 9. Slide the escutcheons down the unions until they contact the finished wall.

HANDSHOWER INSTALLATION:

- 10. Connect the conical end of the hose to the handshower. NOTE: A flow restricting check valve is located in the inlet of the handshower.
- 11. Connect the hex end of the hose to the port on the bottom of the valve body. NOTE: A check valve is located in the port.

INSPECT THE INSTALLATION:

- 12. Turn on the supplies then open the hot and cold valves to flush out any debris in the supply lines before diverting to the handshower. To divert to the handshower pull the knob.
- 13. Carefully inspect all connections for leaks and check for proper operation.
- If further assistance is required, please contact Product Support at 1-800-927-2120 Monday through Friday, 8am - 6pm EST.

These guidelines have been prepared for the professional contractor to aid in the installation of: HENRY EXPOSED WALL MOUNTED TUB FILLER WITH HANDSHOWER AND METAL CROSS HANDLES (STYLE No. HNXT20) & HENRY EXPOSED WALL MOUNTED TUB FILLER WITH HANDSHOWER AND METAL LEVER HANDLES (STYLE No. HNXT30). All dimensions are based on original specification and are subject to change and variation. Please consult your Design Associate for current specifications.

WATERWORKS