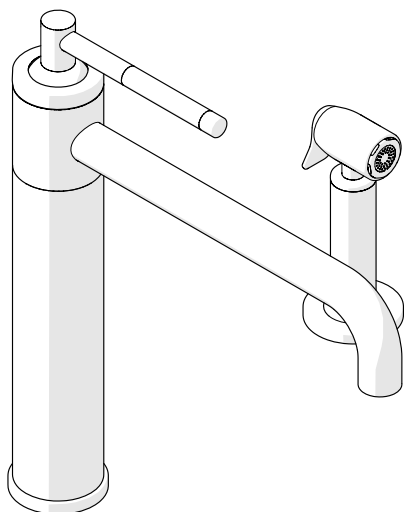


UNIVERSAL

One Hole Modern Kitchen Mixer with Spray

INSTALLATION GUIDELINES

Style No. UNKM10



SPECIFICATIONS:

Fitting Hole Diameter: 1-1/2"
Inlet Connection Size: 9/16"
Inlet Connection Type: Female Straight Thread
Maximum Deck Thickness: 2-3/16"
Minimum Deck Thickness: 1/4"
Recommended Water Pressure: 45psi
Spout Reach: 9-13/16"
Spout Swivel: Yes

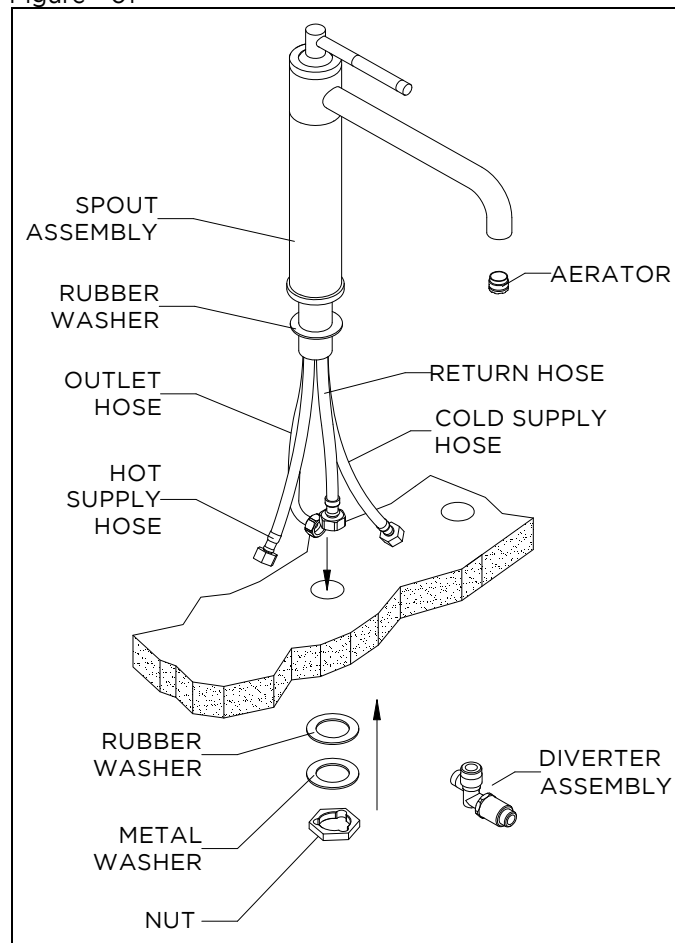
IMPORTANT:

- To ensure this product is installed properly, you must read and follow these guidelines.
- The owner/user of this product must keep this information for future reference.
- Be sure your installation conforms to federal state, and local codes. In the State of Massachusetts, all installations must comply with the rules and regulations set forth within 248 CMR.
- This product must be installed by a professional licensed contractor.
- Product should be on-site prior to rough-in. This allows the installer to visualize the installation and verify the center spread.
- Inspect this product to ensure you have all the parts required for proper installation.
- Use only a strap wrench or protected/smooth-jaw wrench on any finished surface.
- DO NOT use putty on deck fittings. Upper and lower washers are provided.

SPOUT INSTALLATION:

- See Figure 1 & Figure 3. for Steps 1-5.
1. Remove the diverter assembly from the outlet and return hoses. Remove the rubber washer, metal washer & nut from the spout assembly's threaded shank.
 2. Place the spout assembly through hole in the deck, along with the hoses, making sure the rubber washer is in between the spout and surface.
 3. Re-install rubber washer, metal washer and nut from under the deck.
 4. Tighten the nut up against the bottom of the mounting surface to secure the spout assembly.
 5. Attach the return hose to the 1/2" port on the diverter assembly. Attach outlet hose to the 3/8" port on the diverter assembly.

Figure - 01



These guidelines have been prepared for the professional contractor to aid in the installation of: **UNIVERSAL ONE HOLE KITCHEN MIXER AND SPRAY (STYLE # UNKM10).** All dimensions are based on original specification and are subject to change and variation. Please consult your Design Associate for current specifications. **SEE SERVICE PART DOCUMENT FOR PART ORDERING, AVAILABLE ON WATERWORKS.COM**

WATERWORKS

UNIVERSAL

One Hole Modern Kitchen Mixer with Spray

INSTALLATION GUIDELINES

SIDE SPRAY INSTALLATION:

- See Figure 2 & Figure 3. for Steps 6-10.
- 6. Remove the nut, metal washer and rubber washer from the bottom of the metal sleeve.
- 7. Insert the metal sleeve along with the escutcheon into the hole in the deck, making sure the rubber washer is between the escutcheon and the deck.
- 8. Re-attach the rubber washer, metal washer, and nut to the metal sleeve from under the deck.
- 9. Pass the hex end of the hose through the threaded sleeve and connect it to the check valve housing, which is located on the diverter assembly, with the rubber washer in between.
- 10. Connect the conical end of the hose to the side spray with the rubber washer in between.

Figure - 02

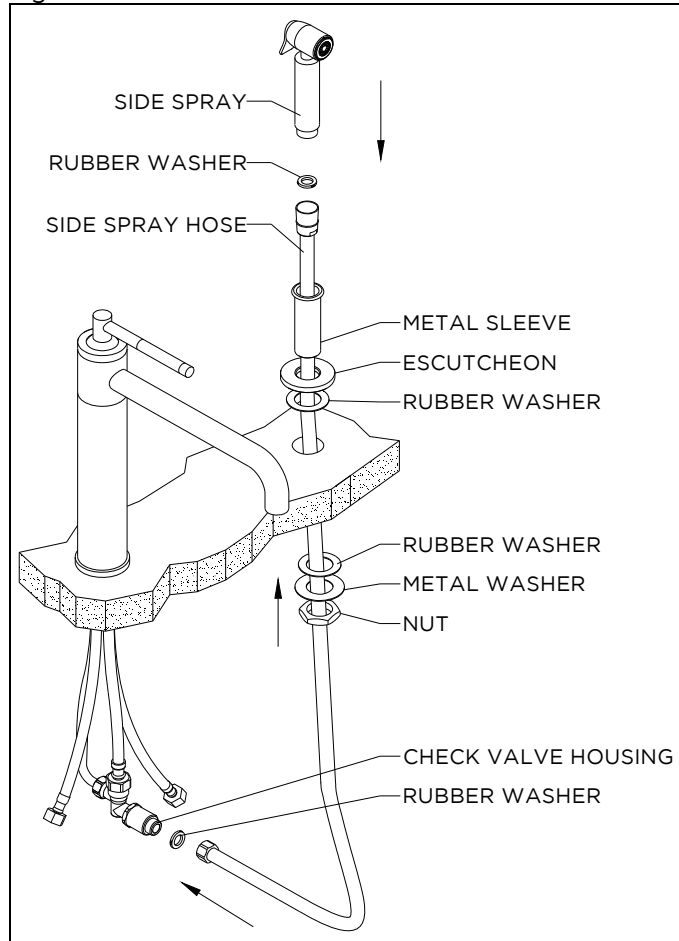
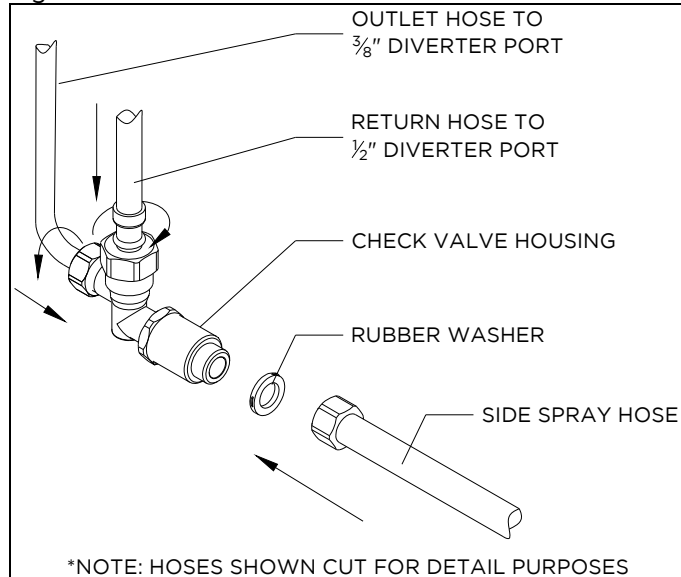


Figure - 03



INSPECT THE INSTALLATION:

11. Connect the hot and cold inlet hoses to supply valves (Sold Separately).
 12. Remove the flow restricting aerator with the tool provided, then carefully open the hot and cold valves to flush out any debris in the supply lines. (See Figure - 01).
 13. Inspect all connections for leaks.
 14. Re-install the flow restricting aerator making sure the washer is in place.
 15. Make sure the hoses are tight and are not pinched/kinked.
- * Putty contains oils and can cause permanent discoloration on certain materials such as marble, granite and any porous surface.
- If further assistance is required, please contact Product Support at 1-800-927-2120 (8am-6pm EST).
 - See service part document for parts ordering, available on WATERWORKS.COM.

These guidelines have been prepared for the professional contractor to aid in the installation of: **UNIVERSAL ONE HOLE KITCHEN MIXER AND SPRAY (STYLE # UNKM10)**. All dimensions are based on original specification and are subject to change and variation. Please consult your Design Associate for current specifications. **SEE SERVICE PART DOCUMENT FOR PART ORDERING, AVAILABLE ON WATERWORKS.COM**

WATERWORKS