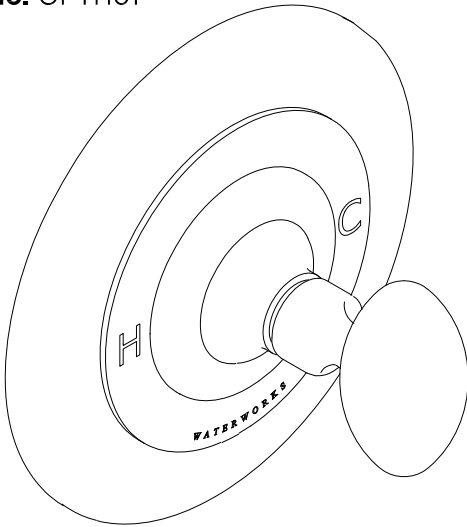
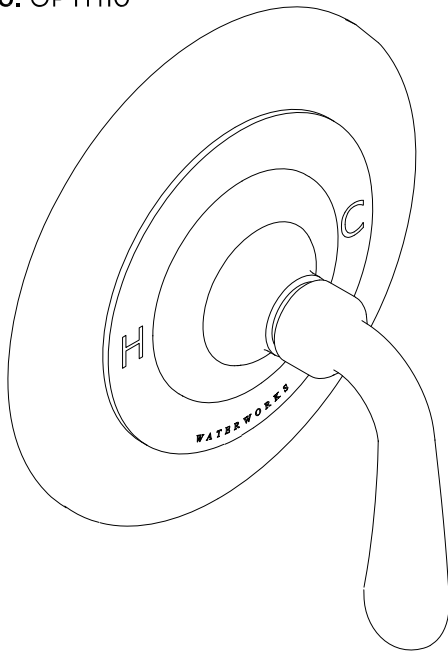


Crystal Egg Handle
STYLE No. OPTH01



Metal Lever Handle
STYLE No. OPTH10



SPECIFICATIONS:

Control Valve Rough-in Depth Minimum: $3\frac{1}{8}$ "
Control Valve Rough-in Depth Maximum: $4\frac{1}{8}$ "
Hot Limit Safety Stop: Yes

REQUIRED PLUMBING DETAILS:

Universal Thermostatic Valve
STYLE No. GUTH37

IMPORTANT:

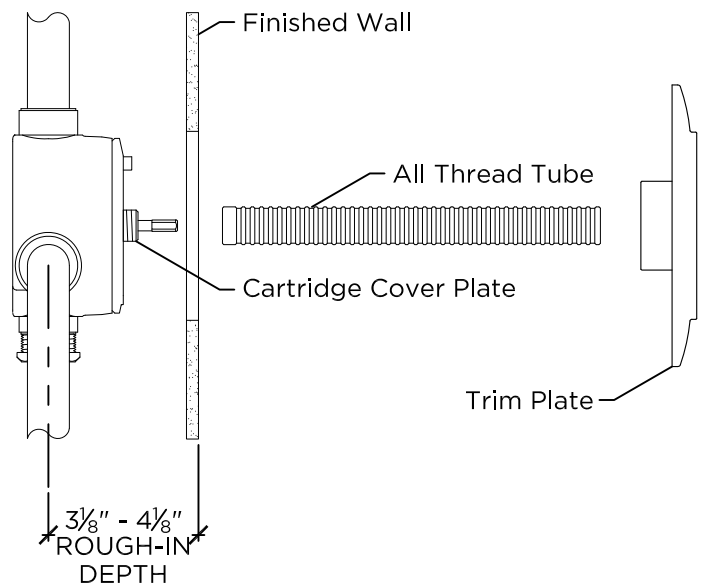
- To ensure this product is installed properly, you must read and follow these guidelines.
- The owner/user of this product must keep this information for future reference.

- This product is intended to work with the Waterworks Universal Thermostatic Valve (Style No. GUTH37) which features anti-scald protection. The risk of scalding exists until the installer has properly calibrated/adjusted the temperature setting during final trim installation.
- This product must be installed by a professional licensed contractor.
- Be sure your installation conforms to all federal, state, and local codes.
- In the State of Massachusetts, all installations must comply with the rules and regulations set forth within 248 CMR.
- Refer to the specification and assembly drawings attached. Product is sold partially assembled but shown fully disassembled for illustrative and service purposes only.
- This product should be on-site prior to rough-in. This allows the installer to visualize the installation.
- Inspect this product to assure you have all parts required for proper installation.
- Use only a strap wrench or protected/smooth jaw wrench on any finished surface.

TRIM PLATE INSTALLATION:

1. Thread the all thread tube (10) onto the cartridge cover plate. See Figure - 01.

Figure - 01

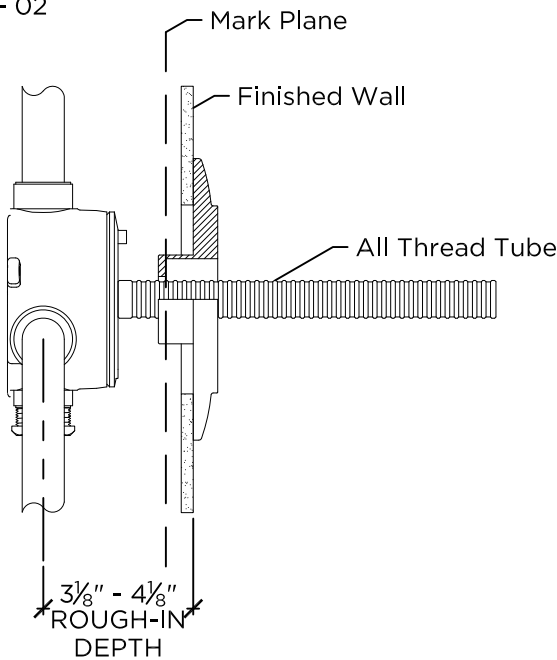


These guidelines have been prepared for the professional contractor to aid in the installation of:
OPUS THERMOSTATIC CONTROL VALVE TRIM WITH CRYSTAL EGG HANDLE (STYLE No. OPTH01) & METAL LEVER HANDLE (STYLE No. OPTH10).
All dimensions are based on origin specification and are subject to change and variation.
Please consult your Design Associate for current specifications.

WATERWORKS

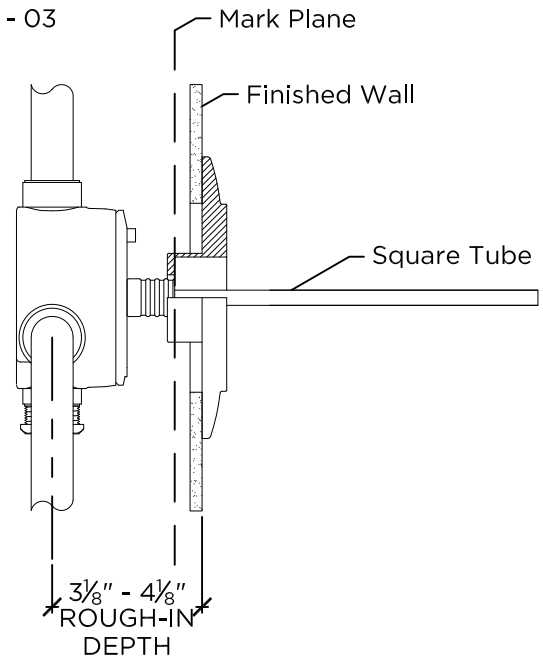
- Slide the trim plate (7) over the all thread tube until the plate contacts the wall then, while holding the trim plate against the wall, make a mark on the all thread tube that is flush with the bottom face of the trim plate. See Figure - 02.

Figure - 02



- Remove the trim plate and all thread tube and cut the tube at the mark made in Step 2. **DO NOT** cut off the end of the tube that has the internal threads.
- Re-attach the all thread tube onto the cartridge and slide the trim plate over the tube.
- Fully insert the square tube (9) into the all thread tube then by feel, make sure it slides over the cartridge stem and stops against the valve cover plate. When seated properly onto the stem, the square tube will have rotational resistance.
- While holding the trim plate against the wall, make a mark on the square tube that is flush with the bottom face of the trim plate. See Figure - 03.
- Remove the square tube and cut it at the mark made in Step 6. Re-insert the square tube into the all thread tube. The all thread and square tubes should be flush with each other and the bottom face of the trim plate.
- While holding the trim plate against the wall, thread the trim nut (6) onto the all thread tube and securely tighten. The trim nut will need to properly align with the square tube in order for trim nut to thread onto the all thread tube.

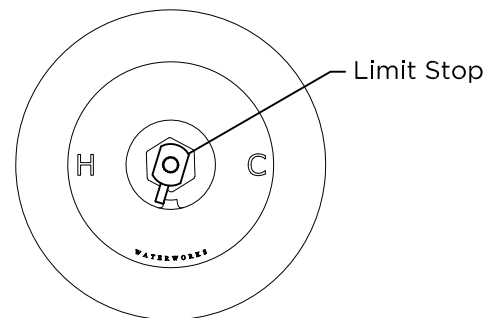
Figure - 03



TEMPERATURE CALIBRATION:

- The risk of scalding exists until the installer has properly calibrated the temperature setting.
- Turn on the water supply and a wall valve to run water through the valve and insert a bladed screw driver into the square tube (9).
 - Slowly rotate the square tube clockwise to attain full cold then rotate it counter-clockwise to attain full hot. Verify a full range of temperatures exists. NOTE: It is approximately 1 complete rotation from full cold to full hot.
 - With water running, rotate the square tube to adjust the temperature to the maximum desired bathing temperature, verified with a thermometer. Turn the water off and make sure not to change this temperature setting.
 - Place the limit stop (5) onto the trim nut (6) so that the limit stop makes contact with the stop on the trim plate as shown in Figure - 04.

Figure - 04



These guidelines have been prepared for the professional contractor to aid in the installation of:
OPUS THERMOSTATIC CONTROL VALVE TRIM WITH CRYSTAL EGG HANDLE (STYLE No. OPTH01) & METAL LEVER HANDLE (STYLE No. OPTH10).
 All dimensions are based on origin specification and are subject to change and variation.
 Please consult your Design Associate for current specifications.

WATERWORKS

INSPECT THE INSTALLATION:

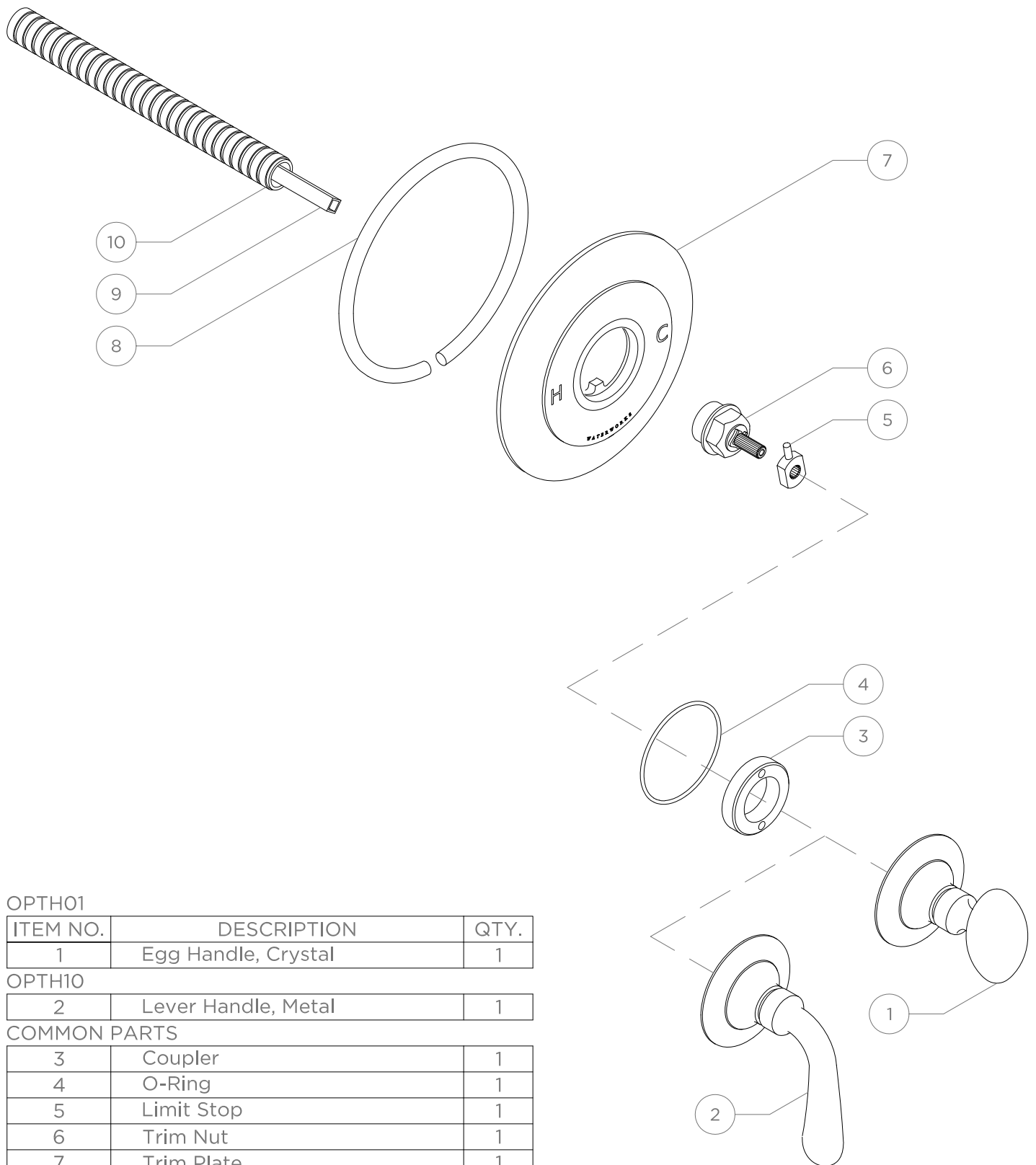
13. Turn the limit stop clockwise then turn the water on and confirm the limit stop is functioning properly by turning it counter-clockwise at which point it should stop.
14. Verify the temperature to be the maximum temperature set in Step 11. If it is not the correct temperature, repeat the calibration procedures.

FINISH THE INSTALLATION:

15. With the coupler (3) attached to the base of the handle (1 or 2), place the handle over the trim nut (6) in the desired orientation then thread the handle into the trim plate. Make sure that the o-ring (4) is underneath the handle and securely tighten the handle.
 16. Turn the handle to make sure the limit stop is working properly.
- If further assistance is required, contact Product Support at 1-800-927-2120 (9am-6pm EST).

These guidelines have been prepared for the professional contractor to aid in the installation of:
OPUS THERMOSTATIC CONTROL VALVE TRIM WITH CRYSTAL EGG HANDLE (STYLE No. OPTH01) & METAL LEVER HANDLE (STYLE No. OPTH10).
All dimensions are based on origin specification and are subject to change and variation.
Please consult your Design Associate for current specifications.

WATERWORKS



OPTH01

ITEM NO.	DESCRIPTION	QTY.
1	Egg Handle, Crystal	1

OPTH10

2	Lever Handle, Metal	1
---	---------------------	---

COMMON PARTS

3	Coupler	1
4	O-Ring	1
5	Limit Stop	1
6	Trim Nut	1
7	Trim Plate	1
8	O-Ring Cord, Foam	1
9	Square Tube	1
10	All Thread Tube	1

These guidelines have been prepared for the professional contractor to aid in the installation of:
OPUS THERMOSTATIC CONTROL VALVE TRIM WITH CRYSTAL EGG HANDLE (STYLE No. OPTH01) & METAL LEVER HANDLE (STYLE No. OPTH10).
 All dimensions are based on origin specification and are subject to change and variation.
 Please consult your Design Associate for current specifications.

WATERWORKS