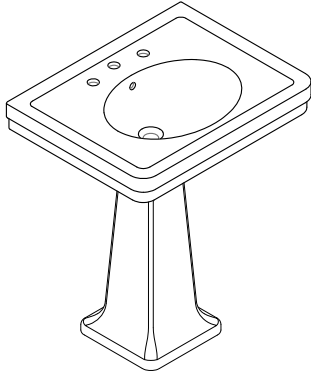
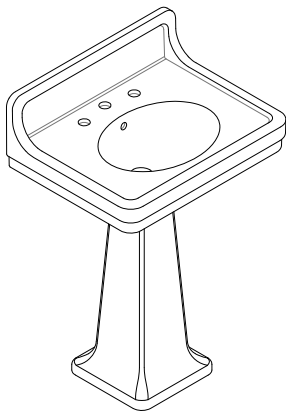


Alden Pedestal with Flat Top
STYLE No. ALPLO1



Alden Pedestal With Backsplash
STYLE No. ALPLO2



SPECIFICATIONS:

Drain Hole Depth: 2"
Drain Hole Diameter: 1 3/4"
Fitting Hole Configuration/Number: Three
Fitting Hole Depth: 7/16"
Fitting Hole Diameter: 1 3/8"
Leg Material: Vitreous China
Overflow Opening: Yes
Recommended Rough-in Supply Height: 21"
Recommended Rough-in Waste Height: 19"

IMPORTANT:

- To ensure this product is installed properly, you must read and follow these guidelines.
- The owner/user of this product must keep this information for future reference.
- Be sure your installation conforms to all federal, state, and local codes. In the State of Massachusetts, all installations must comply with the rules and regulations set forth within 248 CMR.
- This product must be installed by a professional licensed contractor.

- Refer to the specification and assembly drawings attached. Product is sold partially assembled but shown fully disassembled for illustrative and service purposes only.
- Inspect this product to ensure you have all the parts required for proper installation.
- Use only a strap wrench or protected/smooth-jaw wrench on any finished surface.

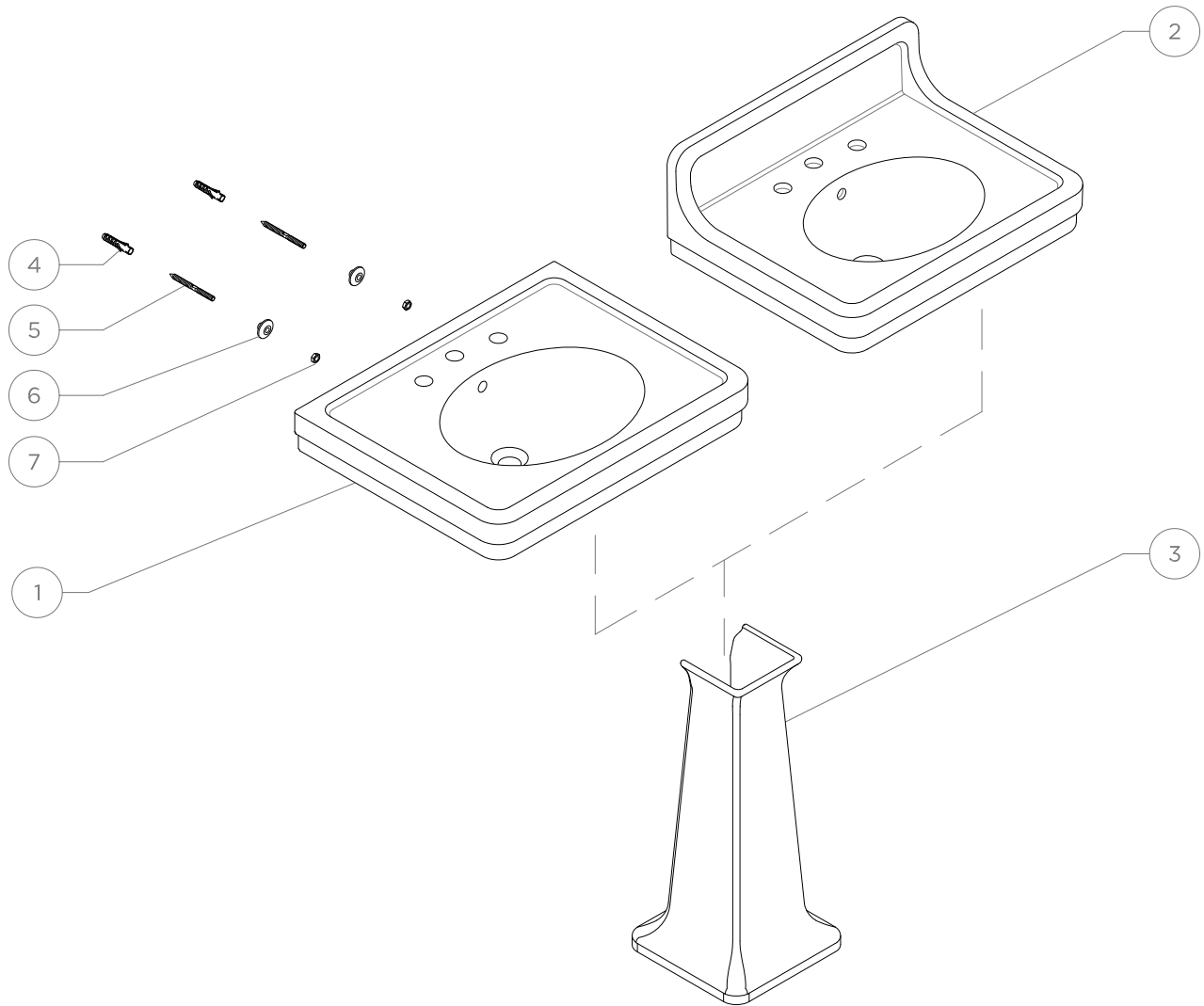
PEDESTAL INSTALLATION:

1. Align the vertical pedestal leg (3) so that cutout for the inlets and drain face the wall.
 2. Gently place Alden sink basin (1 or 2) over the pedestal leg (3) and make sure it sits securely on pedestal. Adjust the pedestal leg and sink basin so that sink basin sits flush against the wall. Use a level to make sure that the sink basin is level.
 3. Mark the mounting holes for the sink basin on the wall and then remove the sink basin.
 4. Drill pilot holes at each marked location. If mounting directly in wall studs, discard wall anchor (4). If mounting into dry wall or tile, drill a large enough hole to accept wall anchor (4) and insert it into hole.
 5. Attach fittings and drain (both sold separately) onto sink basin.
 6. Repeat step 2 to position the sink basin back onto pedestal leg.
 7. Use mounting hardware (5-7) to fasten the sink basin securely onto the wall.
 8. Make final inlet/drain connections.
- If further assistance is required, contact Product Support at 1-800-927-2120 (9am-6pm EST).
- * Putty contains oils and can cause permanent discoloration on certain materials such as marble, granite and any porous surface.

These guidelines have been prepared for the professional contractor to aid in the installation of:
ALDEN PEDESTAL WITH FLAT TOP (STYLE No. ALPLO1) AND ALDEN PEDESTAL WITH BACKSPASH (STYLE No. ALPLO2).
All dimensions are based on origin specification and are subject to change and variation.
Please consult your Design Associate for current specifications.

**WATERWORKS
STUDIO**

Exploded View
STYLE No. ALPL01 & ALPL02

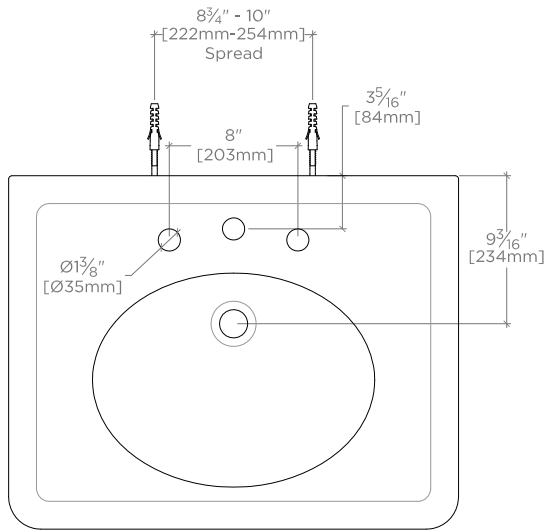


	ITEM NO.	DESCRIPTION	QTY.
ALPL01	1	Alden Sink with flat top (Style # ALSK01)	1
ALPL02	2	Alden Sink with backsplash (Style # ALSK02)	1
COMMON PARTS	3	Alden Pedestal Leg	1
	4	Wall Anchor	2
	5	Screw, Dual Thread	2
	6	Plastic Washer	2
	7	Hex Nut	2

These guidelines have been prepared for the professional contractor to aid in the installation of:
ALDEN PEDESTAL WITH FLAT TOP (STYLE No. ALPL01) AND ALDEN PEDESTAL WITH BACKSPLASH (STYLE No. ALPL02).
 All dimensions are based on origin specification and are subject to change and variation.
 Please consult your Design Associate for current specifications.

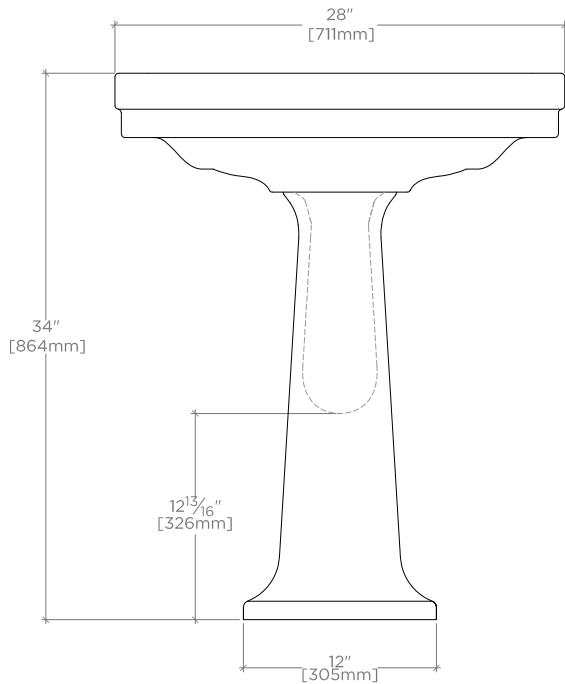
**WATERWORKS
STUDIO**

Rough-In Dimensions
STYLE No. ALPLO1



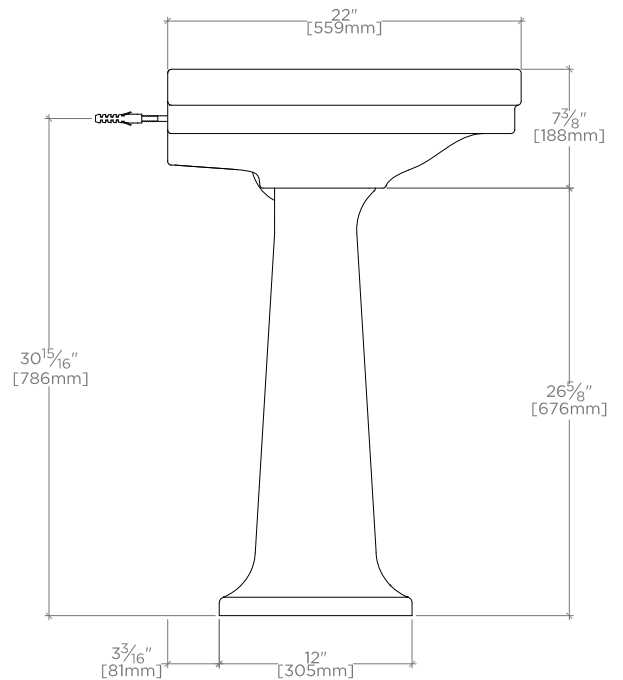
TOP VIEW

SCALE: 1"=1'-0"



FRONT VIEW

SCALE: 1"=1'-0"



SIDE VIEW

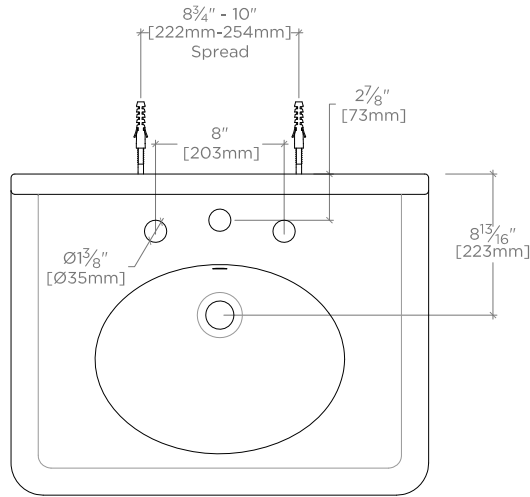
SCALE: 1"=1'-0"

Recommended Rough-in Supply Height: 21"
Recommended Rough-in Waste Height: 19"

These guidelines have been prepared for the professional contractor to aid in the installation of:
ALDEN PEDESTAL WITH FLAT TOP (STYLE No. ALPLO1) AND ALDEN PEDESTAL WITH BACKSPLASH (STYLE No. ALPLO2).
All dimensions are based on origin specification and are subject to change and variation.
Please consult your Design Associate for current specifications.

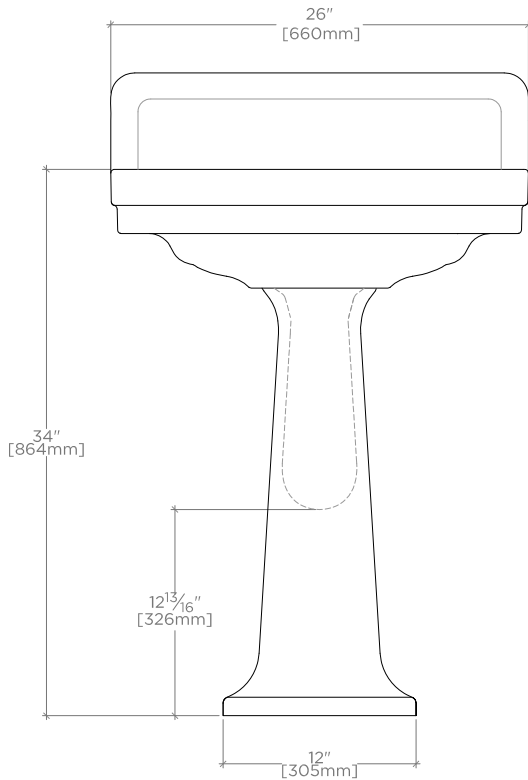
**WATERWORKS
STUDIO**

Rough-In Dimensions
STYLE No. ALPLO2



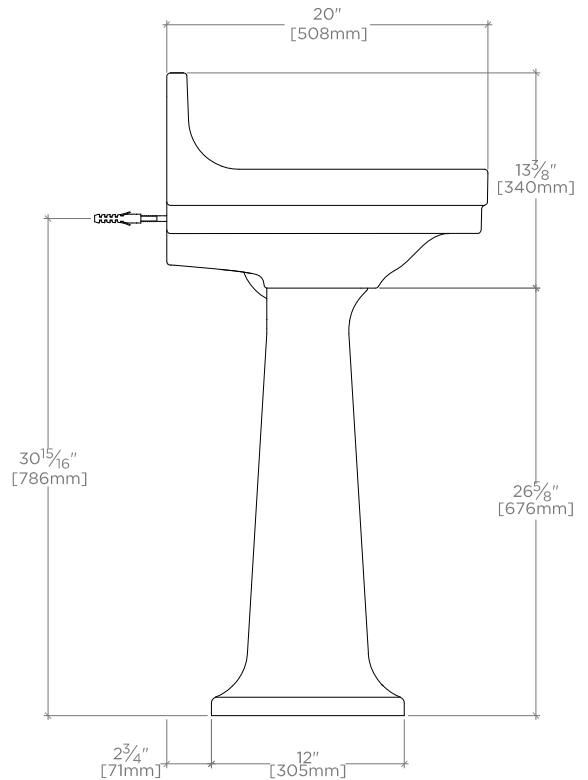
TOP VIEW

SCALE: 1"=1'-0"



FRONT VIEW

SCALE: 1"=1'-0"



SIDE VIEW

SCALE: 1"=1'-0"

Recommended Rough-in Supply Height: 21"
Recommended Rough-in Waste Height: 19"

These guidelines have been prepared for the professional contractor to aid in the installation of:
ALDEN PEDESTAL WITH FLAT TOP (STYLE No. ALPLO1) AND ALDEN PEDESTAL WITH BACKSPASH (STYLE No. ALPLO2).

All dimensions are based on origin specification and are subject to change and variation.
Please consult your Design Associate for current specifications.

**WATERWORKS
STUDIO**