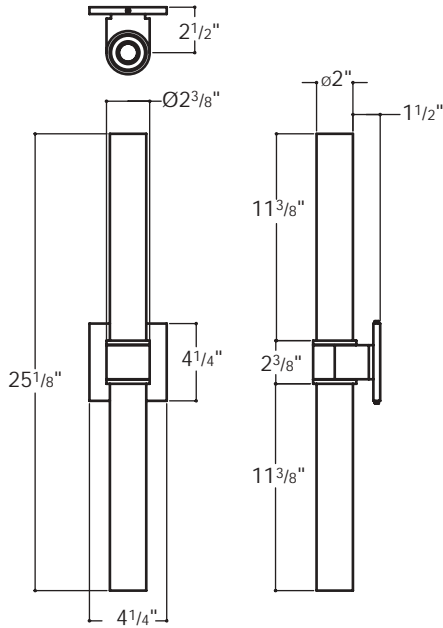


OPLT02



- Notes:
- Bulbs: T8 standard base frosted showcase; 75 watt max.
 - Sconce can be mounted vertically or horizontally
 - Electrical J-box: 2" x 3 1/2" switch type.

INSTALLATION

- **IMPORTANT:** Check to ensure the power supply has been turned off prior to starting installation.
1. Install an electrical J-box (2"x3 1/2" switch type) vertically for vertical mounting or horizontally for horizontal mounting making sure to use supply connection wire that meets local codes and is rated for at least 90° C / 194° F.
 2. Inspect this product to assure you have all parts required for proper installation.
 3. Connect the wires from the fixture to the wires in the J-box as shown in Figure 1.
 4. Unthread and remove the shade retaining rings from the fixture body.
 5. Mount the fixture body to the mounting box as shown in Fig. 2 using the #6-32, 7/64" hex screws (supplied).
 6. Install 75 watt max. T8 standard base frosted showcase bulbs.
 7. Slide the o-rings toward the flared-end of each glass shade.
 8. Insert the flared-end of the glass shade into the fixture body and slide the shade retaining ring down over the glass shade.
 9. Hand-tighten the shade retaining rings to secure the shades to the fixture body.
- If further assistance is required, please contact product support at 1-800-927-2120 (8am-7pm EST).

Figure 1

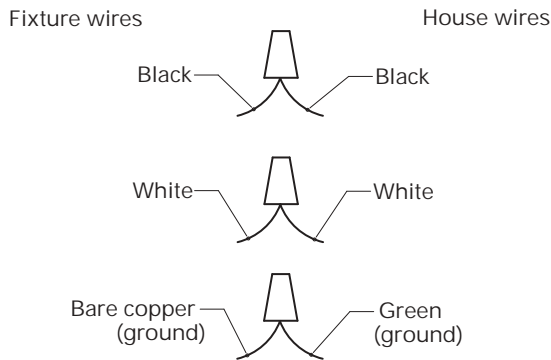


Figure 2

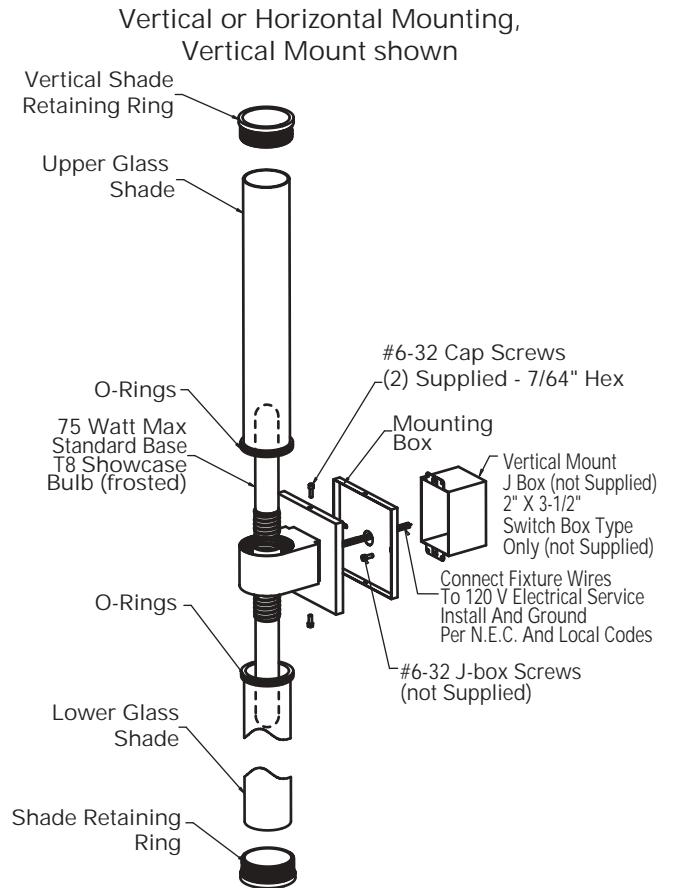
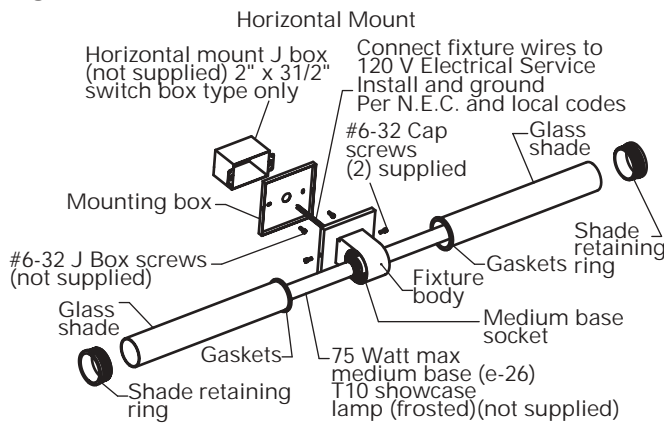


Figure 3



These guidelines have been prepared for the professional contractor to aid in the installation of:
OPUS DOUBLE SCONCE(OPLT02)

7/04

All dimensions are based on original specifications and are subject to change and variation. Please consult your Design Associate for current specifications.

W A T E R W O R K S