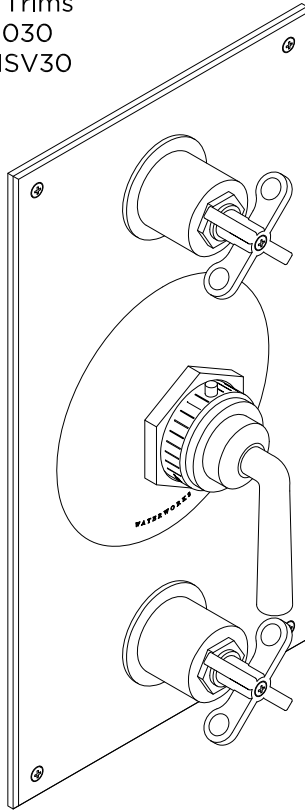


Metal Lever Handle Thermostatic with Metal Cross Handle Shutoff Trims  
**STYLE No.** 986030  
**MODEL No.** HNSV30



**SPECIFICATIONS:**

Control Valve Rough-in Depth Minimum: 2 1/8"  
Control Valve Rough-in Depth Maximum: 4 1/8"  
Hot Limit Safety Stop: Yes

**REQUIRED PLUMBING DETAILS:**

Henry Thermostatic Valve  
**STYLE No.** 669157  
**MODEL No.** GUSV47R

**IMPORTANT:**

- To ensure this product is installed properly, you must read and follow these guidelines.
- The owner/user of this product must keep this information for future reference.
- This product is intended to work with the Henry Thermostatic Valve which features anti-scald protection. The risk of scalding exists until the installer has properly calibrated/adjusted the temperature setting during final trim installation.
- Be sure your installation conforms to all federal, state, and local codes.
- In the State of Massachusetts, all installations must comply with the rules and regulations set forth within 248 CMR.
- This product must be installed by a professional licensed contractor.

- Refer to the specification and assembly drawings attached. Product is sold partially assembled but shown fully disassembled for illustrative and service purposes only.
- Inspect this product to ensure you have all parts required for proper installation.
- This product must be on-site prior to rough-in and allows the installer to visualize the installation.
- Use only a strap wrench or protected/smooth-jaw wrench on any finished surface.

**TRIM INSTALLATION:**

1. Remove the tile guards from the valve.
2. Unthread the trim nut (13) from the all thread tube (17), remove the square tube (16) then thread the all thread tube onto the cartridge stem.
3. Hold the back plate (26) up to the finished wall and slide the trim plate (14) over the all thread tube (17). Make sure the trim plate is centered on the back plate and the threaded sleeves on the shut-off valves pass properly through the holes on the back plate. See Figure - 01.

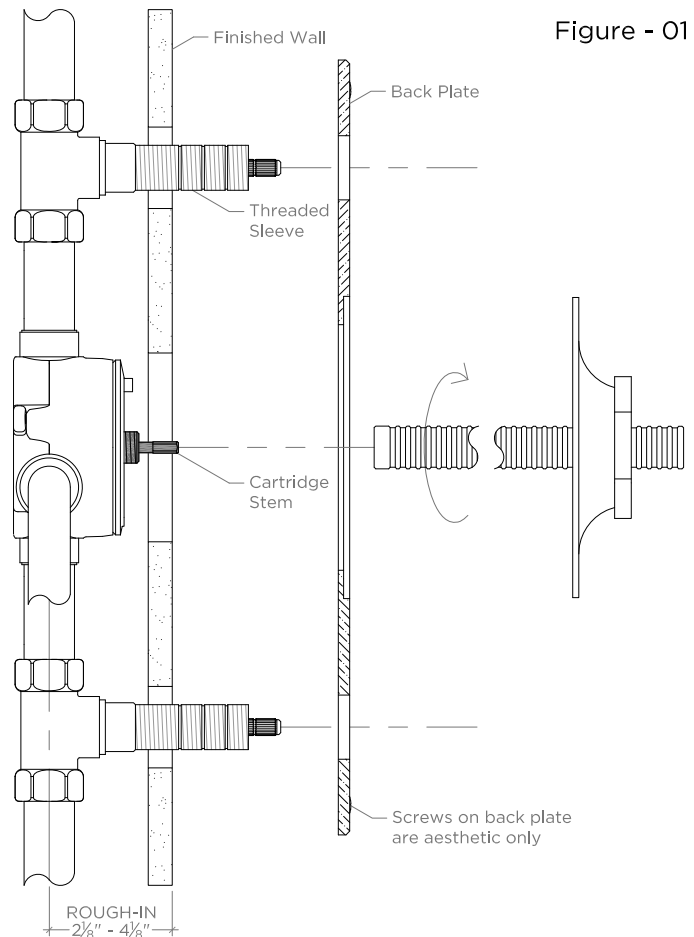


Figure - 01

These guidelines have been prepared for the professional contractor to aid in the installation of:  
**HENRY METAL LEVER HANDLE WITH THERMOSTATIC WITH METAL CROSS HANDLE SHUTOFF TRIMS**  
(STYLE No. 986030).  
All dimensions are based on origin specification and are subject to change and variation.  
Please consult your Design Associate for current specifications.

**WATERWORKS**

4. While holding the back plate (26) and trim plate (14) against the finished wall, mark the all thread tube (17) at a point  $\frac{3}{16}$ " beyond where it protrudes from the trim plate. Make a mark on the threaded sleeve that is flush with the front face of the back plate. See Figure - 02.

5. Remove the threaded sleeves from the shut-off valves and make marks on the splined stems that are  $\frac{1}{2}$ " from the front face of the back plate (26).

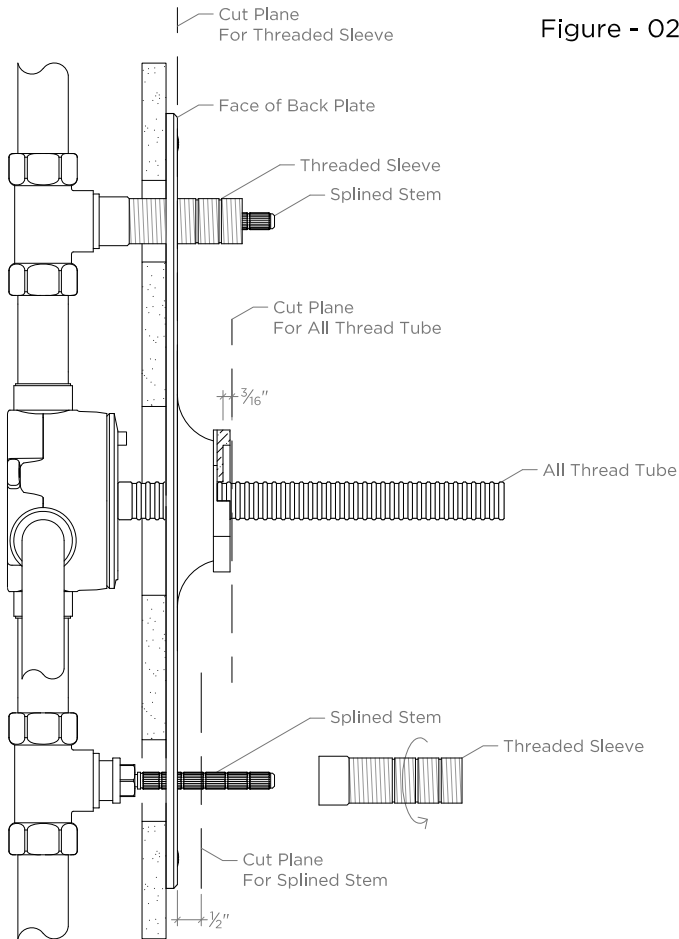


Figure - 02

6. Remove the trim plate (14), the back plate (26), the all thread tube (17) and the threaded sleeves from the valve. Cut the tube and sleeves at the marks made in step 4. DO NOT cut the ends that have the internal threads.

7. Cut the splined stems at the marks made in step 5.

8. Re-attach the all thread tube and threaded sleeves then hold the back plate against the finished wall and slide the trim plate over the all thread tube. Make sure the trim plate is centered and fits properly into the opening in the back plate.

9. Tightly thread the trim nut (13) onto the all thread tube (17). This will hold the trim plate (14) to the back plate and the back plate (26) against the wall.

10. Slide the escutcheon (24) over that trim adapter and thread the trim adapter (23) onto the threaded sleeve. Tighten the trim adapter to secure the escutcheon against the back plate. See Figure - 03.

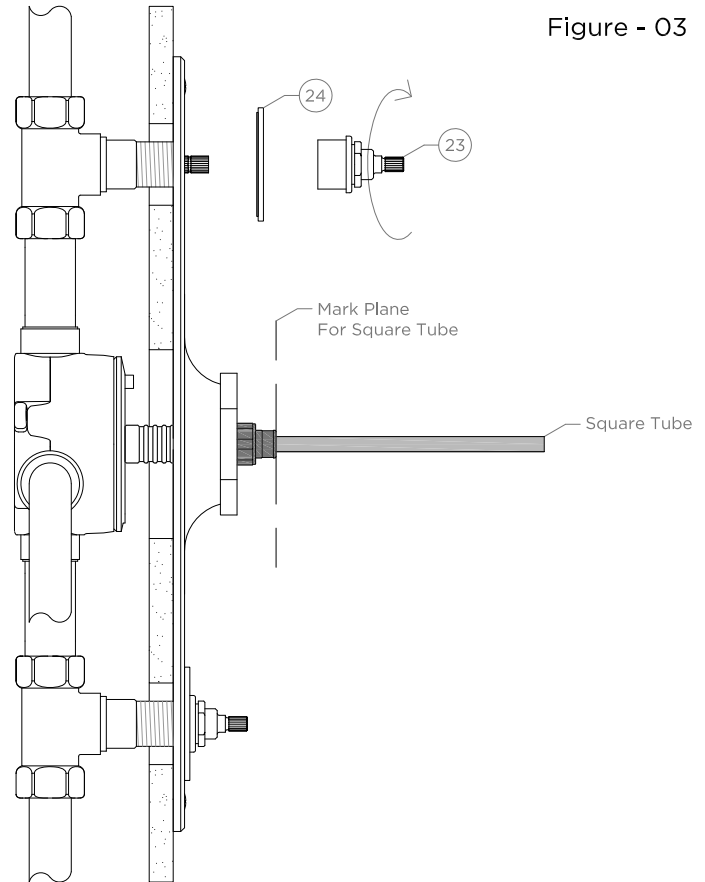


Figure - 03

11. Repeat this for the second shut-off trim to securely hold the back plate (26) against the finished wall.

12. Fully insert the square tube (16) into the trim nut (13) then by feel, make sure it slides over the stem and stops against the valve cover plate. When seated properly onto the stem, the square tube will have rotational resistance.

13. Mark the square tube at the point where it passes through the face of the trim nut. See Figure 03.

14. Remove the square tube (16) and cut it  $\frac{1}{8}$ " behind the mark made on the tube in Step 13.

15. After cutting, insert the tube back into the trim nut making sure it is slightly recessed into the nut.

### TEMPERATURE CALIBRATION:

➤ The risk of scalding exists until the installer has properly calibrated the temperature setting.

16. Turn on the water supply and on of the shut-off valves to run water through the valve and insert a bladed screw driver into the square tube (16).

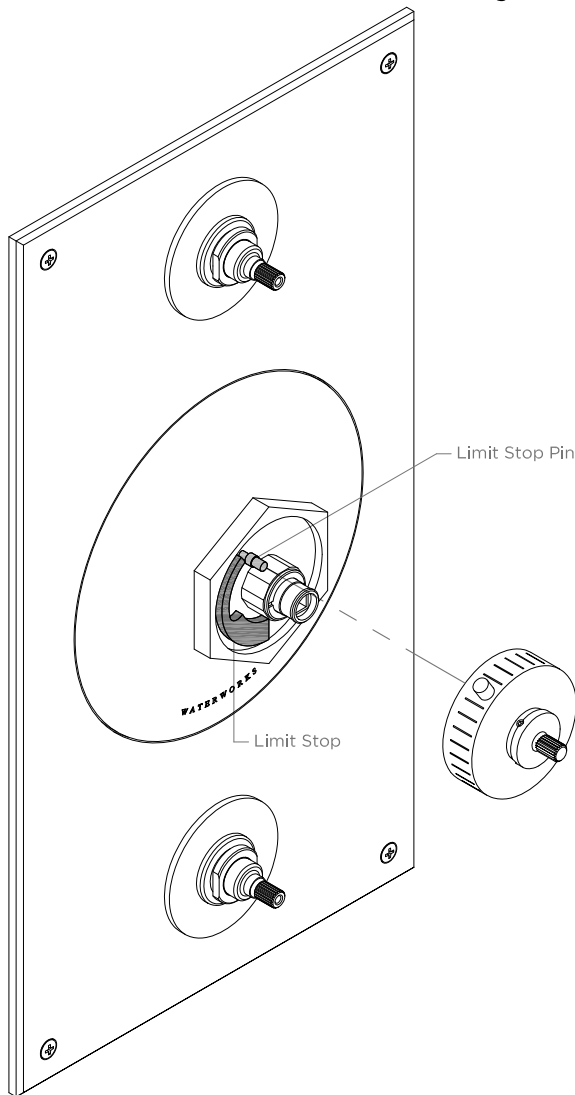
These guidelines have been prepared for the professional contractor to aid in the installation of:  
**HENRY METAL LEVER HANDLE WITH THERMOSTATIC WITH METAL CROSS HANDLE SHUTOFF TRIMS**  
(STYLE No. 986030).

All dimensions are based on origin specification and are subject to change and variation.  
Please consult your Design Associate for current specifications.

## WATERWORKS

17. Slowly rotate the square tube clockwise to attain full cold then rotate it counter-clockwise to attain full hot. Verify a full range of temperature exists. Note: It is approximately 2 complete rotations from full cold to full hot.
18. With water running, rotate the square tube (16) to adjust the temperature to the maximum desired bathing temperature, verified with a thermometer. Turn the water off and make sure not to change this temperature setting.
19. Unthread the lever handle assembly (1-7) from the limit stop housing (8) and loosen the set screws (9) on the housing.
20. Insert the limit stop assembly (8-12) onto the trim nut (13) making sure the limit stop pin (12) makes contacts with the limit stop on the trim plate (14) then tighten the set screws. See Figure 04.

Figure - 04



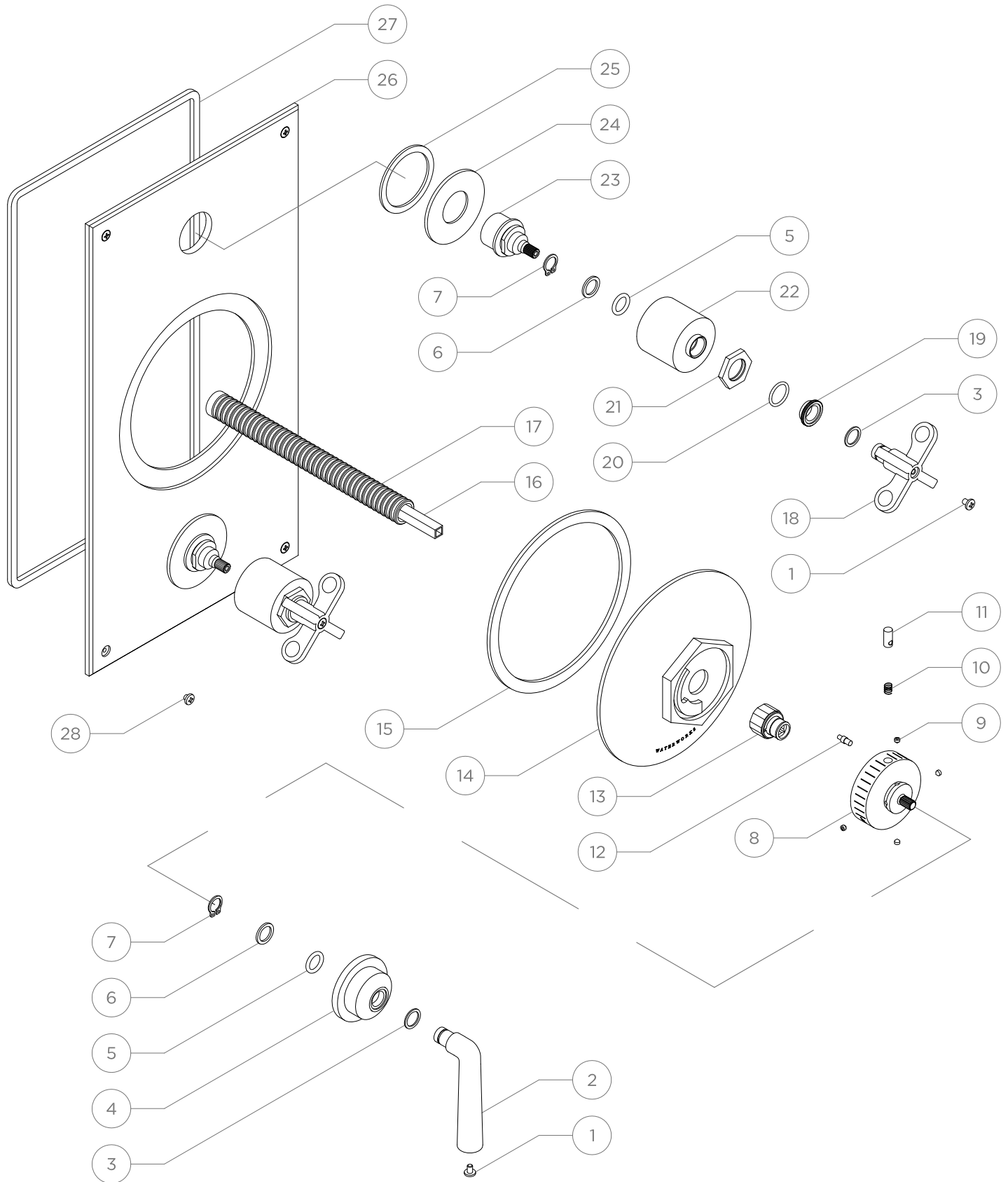
**INSPECT THE INSTALLATION:**

21. Turn the limit stop assembly clockwise, turn the water on and confirm the stop functions properly by turning it counter-clockwise at which point it should stop.
  22. Verify the temperature to be the maximum temperature set in Step 18. If it is not the correct temperature, repeat the calibration procedures.
  23. To get a hotter temperature, press and hold the limit stop button then rotate the limit stop until it stops. It is NOT recommended to exceed the safety limit stop of 105 degrees.
  24. Re-attach the lever handle assembly to limit stop assembly then attach the cross handle assemblies onto the trim adapters (23).
- If further assistance is required, please contact Product Support at 1-800-927-2120 Ext. 3 (9am-6pm EST).

ITEM NO.	DESCRIPTION	QTY.
1	Handle Screw	1
2	Lever Handle, Henry	1
3	Plastic Washer	1
4	Gland Cover	1
5	O-Ring	1
6	Metal Washer	1
7	C-Clip, Metal	1
8	Limit Stop Housing	1
9	Set Screw, 2mm Hex Key	1
10	Spring	4
11	Limit Stop Button	1
12	Limit Stop Pin	1
13	Trim Nut	1
14	Thermostatic Trim Plate	1
15	Foam Gasket	1
16	Square Tube	1
17	All Thread Tube	1
18	Cross Handle	1
19	1 <sup>3</sup> / <sub>16</sub> " Knurled Collar	1
20	Hex Collar O-Ring	1
21	1 <sup>1</sup> / <sub>16</sub> " Hex Collar	1
22	Gland Cover, Henry	1
23	Wall Valve Trim Adapter	1
24	Escutcheon	1
25	Rubber Washer	1
26	Back Plate	1
27	Foam Gasket	1
28	Plate Screw	1

These guidelines have been prepared for the professional contractor to aid in the installation of:  
**HENRY METAL LEVER HANDLE WITH THERMOSTATIC WITH METAL CROSS HANDLE SHUTOFF TRIMS**  
 (STYLE No. 986030).  
 All dimensions are based on origin specification and are subject to change and variation.  
 Please consult your Design Associate for current specifications.

**WATERWORKS**



These guidelines have been prepared for the professional contractor to aid in the installation of:  
**HENRY METAL LEVER HANDLE WITH THERMOSTATIC WITH METAL CROSS HANDLE SHUTOFF TRIMS**  
 (STYLE No. 986030).  
 All dimensions are based on origin specification and are subject to change and variation.  
 Please consult your Design Associate for current specifications.

**WATERWORKS**