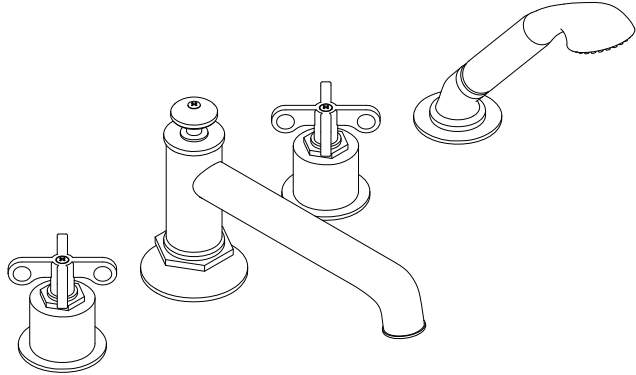


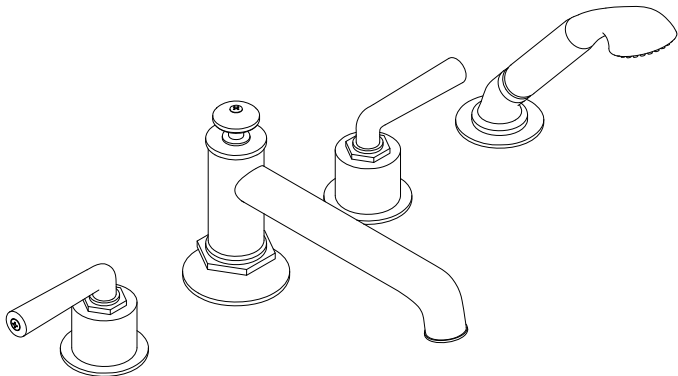
HNTU01: Metal Cross Handles



IMPORTANT:

- To ensure this product is installed properly, you must read and follow these guidelines.
- The owner/user of this product must keep this information for future reference.
- Be sure your installation conforms to all federal, state, and local codes. Anti-scald protection is the responsibility of the installer and according to applicable codes.
- In the State of Massachusetts, all installations must comply with the rules and regulations set forth within 248 CMR.
- This product must be installed by a professional licensed contractor.
- Product should be on-site prior to rough-in. This allows the installer to visualize the installation and verify the center spread.
- Refer to the specification and assembly drawings attached. Product is sold partially assembled but shown fully disassembled for illustrative and service purposes only.
- Check tub deck and tub measurements to assure the spout projects far enough into the tub.

HNTU10: Metal Lever Handles



- Inspect this product to ensure you have all parts required for proper installation.
- Use only a strap wrench or protected/smooth-jaw wrench on any finished surface.
- For proper installation, the deck surface should be installed prior to mounting this product.
- An access panel is required for future servicing.
- Install accessible hot and cold service stop valves to facilitate servicing.
- Run $\frac{3}{4}$ " supply lines for maximum flow.

SPECIFICATIONS:

Handle Spread Maximum: 12"
Handle Spread Minimum: 10"
Inlet Connection Size: $\frac{3}{4}$ "
Inlet Connection Type: Male NPT
Maximum Deck Thickness: $1\frac{1}{16}$ "
Minimum Deck Thickness: $\frac{3}{16}$ "
Maximum Water Pressure: 80psi
Minimum Water Pressure: 20psi
Fittings Hole Diameter: $1\frac{5}{8}$ "
Recommended Water Pressure: 45psi
Spout Reach: $7\frac{15}{16}$ "

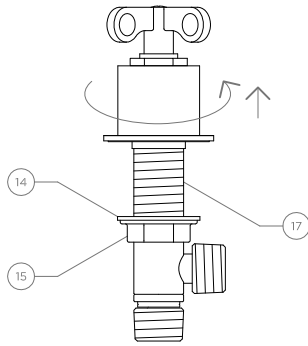
These guidelines have been prepared for the professional contractor to aid in the installation of:
HENRY LOW CONCEALED TUB FILLER WITH HANDSHOWER AND METAL CROSS HANDLES (HNTU01)
AND METAL LEVER HANDLES (HNTU10).
All dimensions are based on origin specification and are subject to change and variation.
Please consult your Design Associate for current specifications.

WATERWORKS

HANDLE INSTALLATION:

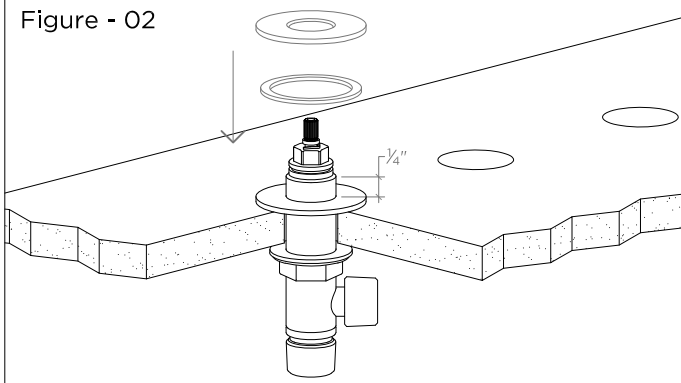
1. Remove the handle assembly (1-11), escutcheon (12) and upper gasket (13) from the side body (17). Do not remove the lower gasket (14) and lock nut (15).
NOTE: The screws (1) on the top of the cross handles and the end of the lever handles are aesthetic and do not serve any mechanical purpose and should not be removed.

Figure - 01



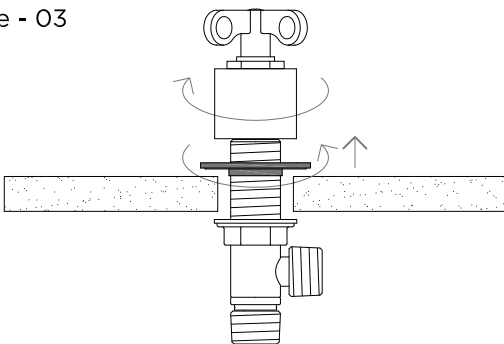
2. Thread the lock nut (15) all the way down and insert the side body (17) into the hole of the mounting surface then reinstall the escutcheon (12) making sure the upper gasket (13) is in place and leaving $\frac{1}{4}$ " of exposed threads above the escutcheon.

Figure - 02



3. Thread the handle assembly (1-11) back onto the side body then unthread the escutcheon (12) until it contacts the bottom of the gland cover (8).

Figure - 03

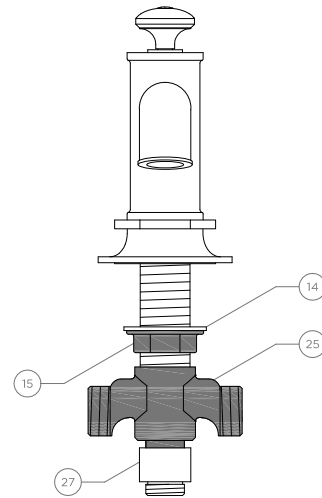


4. Tighten the lock nut (15) up against the bottom of the mounting surface to secure the handle.
5. Repeat steps 1-4 to install the second side body.

SPOUT INSTALLATION:

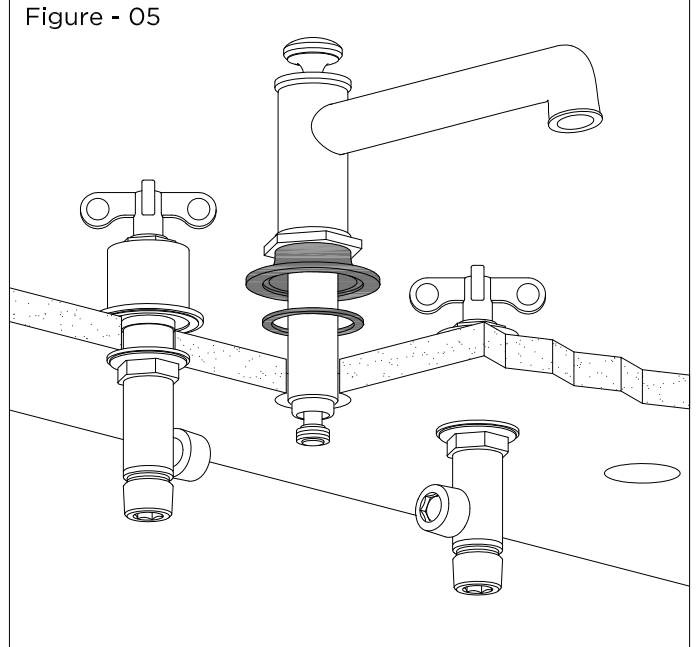
6. Remove the tee assembly (24-28) and mounting hardware (14-15) from the spout (19).

Figure - 04



7. Insert the spout into the hole on the mounting surface making sure the upper gasket (13) is underneath the escutcheon (22).

Figure - 05



8. Reinstall the mounting hardware (14-15) and tighten the lock nut (15) to the bottom of the mounting surface then re-install the tee assembly (24-28) making sure the o-ring (24) is in the outlet.

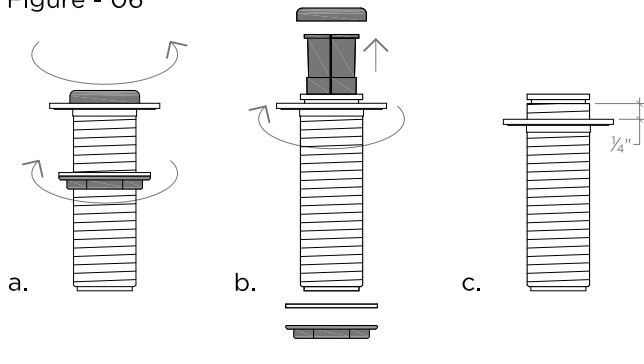
These guidelines have been prepared for the professional contractor to aid in the installation of:
**HENRY LOW CONCEALED TUB FILLER WITH HANDSHOWER AND METAL CROSS HANDLES (HNTU01)
AND METAL LEVER HANDLES (HNTU10).**
All dimensions are based on origin specification and are subject to change and variation.
Please consult your Design Associate for current specifications.

WATERWORKS

HANDSHOWER INSTALLATION:

9. Remove the mounting hardware (44-45) and retaining collar (40) from the threaded tube (42) and remove the plastic sleeve (41) then unthread the escutcheon (43) to expose $\frac{1}{4}$ " of threads. See Figure - 06.

Figure - 06



11. Insert the threaded tube through the mounting surface, leaving the escutcheon (43) and upper washer (13) in place.
12. Re-attach the lower washer (44) and locking nut (45) to the threaded tube (42).
13. Slide the retaining collar (40) over the conical end of the handshower hose (39) and insert the hose into the plastic sleeve (41). Pass the knurled end of the hose (39) through the threaded tube (42) until the plastic sleeve is fully seated inside the threaded tube. Thread the collar back onto the threaded tube.
14. Thread the escutcheon (43) up until it touches the retaining collar (40) then fully tighten the lock nut (45) to secure the assembly to the mounting surface.
15. Connect the conical end of the hose (39) to the handshower assembly (33-38). NOTE: A flow restricting check valve (37) is located in the inlet of the handshower (36).

FINAL CONNECTIONS AND INSPECTION:

16. Connect the supply hoses (48) to the tee (25) then to the adjacent side body (17). Make sure the hoses are not pinched/kinked.
17. Connect the female end of the 24" flex hose (47) to the check valve housing (27) attached to the tee outlet.
18. Connect the knurled end of the handshower hose (39) to the male end of the 24" flex hose (47).
19. Connect the side bodies (17) to the water supply valves (not supplied).

20. Open the hot and cold valves to flush out any debris in the supply lines before diverting to the handshower. To divert to the handshower pull the knob (18) on the top of the spout.

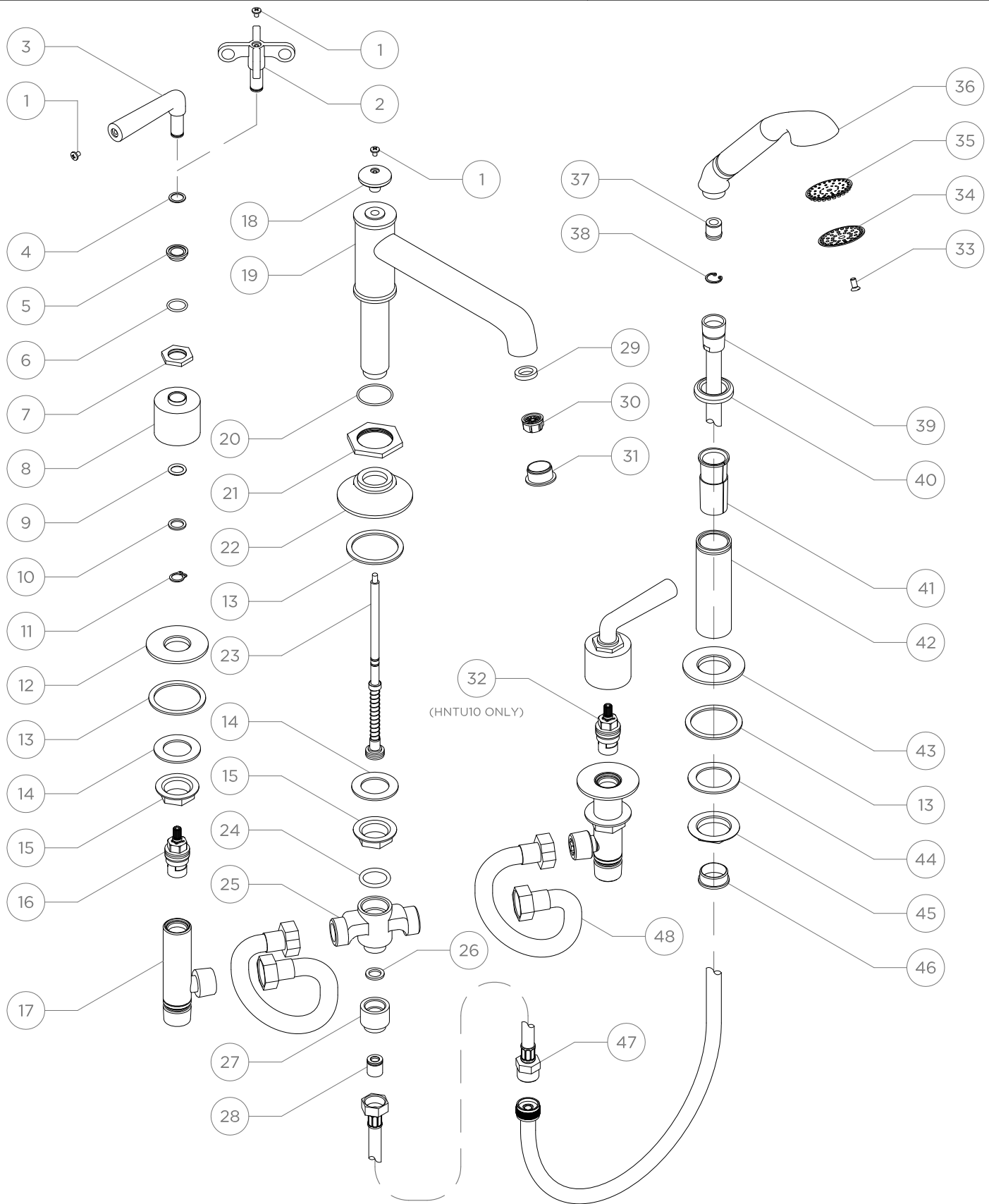
21. Carefully inspect all connections for leaks and check for proper operation before enclosing the unit.

➤ If further assistance is required, please contact Product Support at 1-800-927-2120 Ext. 3 (9am-6pm EST).

These guidelines have been prepared for the professional contractor to aid in the installation of:
HENRY LOW CONCEALED TUB FILLER WITH HANDSHOWER AND METAL CROSS HANDLES (HNTU01)
AND METAL LEVER HANDLES (HNTU10).

All dimensions are based on origin specification and are subject to change and variation.
Please consult your Design Associate for current specifications.

WATERWORKS



These guidelines have been prepared for the professional contractor to aid in the installation of:
**HENRY LOW CONCEALED TUB FILLER WITH HANDSHOWER AND METAL CROSS HANDLES (HNTU01)
 AND METAL LEVER HANDLES (HNTU10).**
 All dimensions are based on origin specification and are subject to change and variation.
 Please consult your Design Associate for current specifications.

WATERWORKS

HNLS01	ITEM NO.	DESCRIPTION	QTY.
	2	Cross Handle, Henry	2
	16	Catridge, CW Close	2

HNLS10	ITEM NO.	DESCRIPTION	QTY.
	3	Lever Handle, Henry	2
	16	Catridge, CW Close	1
	32	Catridge, CCW Close	1

COMMON PARTS			
	1	Screw, Phillips Head, M4 x 0.7mm, 6mm Length	2
	4	Washer, 12.2mm ID x 16mm OD x 1mm Thickness, Plastic	2
	5	1 ³ / ₁₆ " Knurled Collar	2
	6	O-Ring, 16mm ID x 2mm Width, Rubber	2
	7	1 ¹ / ₁₆ " Hex Collar	2
	8	Gland Cover	2
	9	O-Ring, 12.1mm ID x 2.7mm Width, Rubber	2
	10	Washer, 12.3mm ID x 17mm OD x 1.5mm Thickness, Metal	2
	11	C-Clip, Metal	2
	12	Handle Escutcheon	2
	13	Washer, 45mm ID x 55mm OD x 2mm Thickness, Rubber	4
	14	Washer, 27.3mm ID x 45mm OD x 2mm Thickness, Rubber	3
	15	Lock Nut, 30mm Hex	3
	17	Valve Body	2
	18	Diverter Knob	1
	19	Spout	1
	20	O-Ring, 31.5mm ID x 1.8mm Width, Rubber	1
	21	1 ⁷ / ₈ " Hex Collar	1
	22	Spout Escutcheon	1
	23	Diverter Rod	1
	24	O-Ring, 23mm ID x 3.6mm Width, Rubber	1
	25	Tee	1
	26	Washer, 12mm ID x 18mm OD x 2mm Thickness, Rubber	1
	27	Check Valve Housing	1
	28	Check Valve	1
	29	Washer, 14mm ID x 21.5mm OD x 4mm Thickness, Rubber	1
	30	Flow Straightener	1
	31	Flow Straightener Housing	1
	33	Handshower Face Plate Screw	1
	34	Handshower Face Plate	1
	35	Handshower Nozzles	1
	36	Handshower	1
	37	Flow Restricting Check Valve, 2.5gpm	1
	38	Flow Restricting Check Valve Retaining Clip	1
	39	Handshower Hose, Conical End x Knurled End, 79" Length	1
	40	Retaining Collar	1
	41	Plastic Sleeve	1
	42	Threaded Tube	1
	43	Handshower Return Escutcheon	1
	44	Washer, 34mm ID x 50mm OD x 2mm Thickness, Rubber	1
	45	Lock Nut, Handshower Return, 36mm Hex	1
	46	Plastic End Cap	1
	47	Hose, 1/2" Male x 1/2" Female, 24" Length	1
	48	Supply Hose, 3/4" Female x 3/4" Female, 14" Length	1

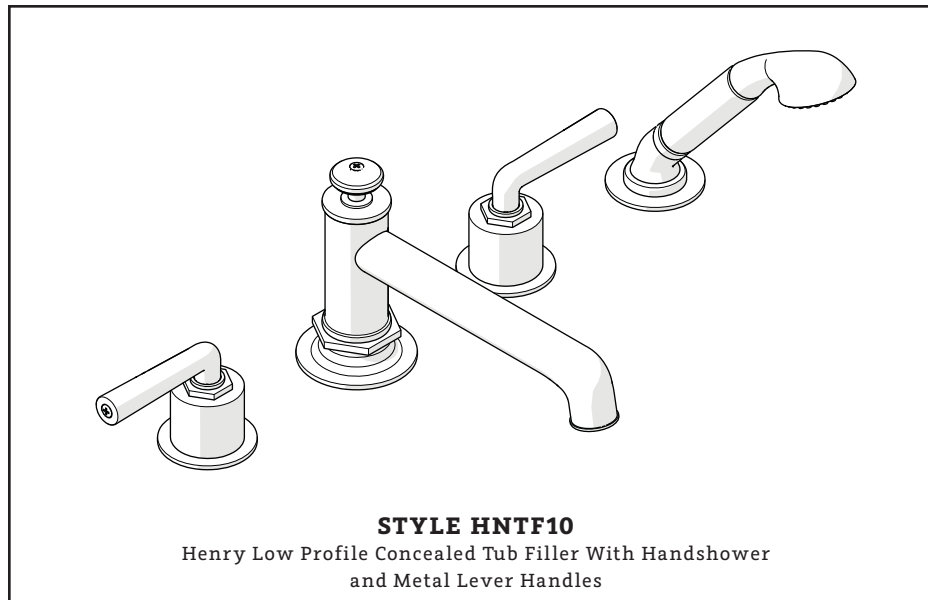
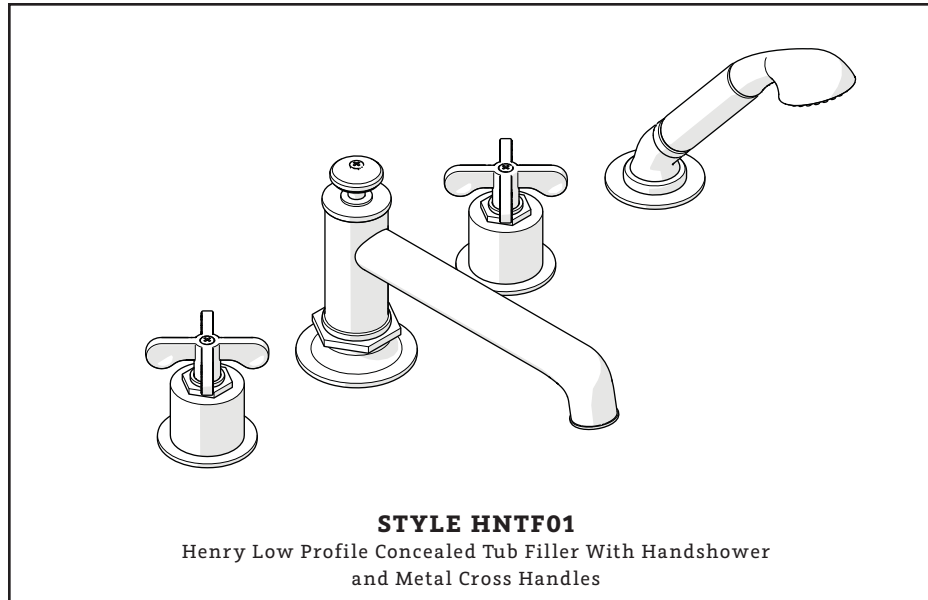
These guidelines have been prepared for the professional contractor to aid in the installation of:
HENRY LOW CONCEALED TUB FILLER WITH HANDSHOWER AND METAL CROSS HANDLES (HNTU01)
AND METAL LEVER HANDLES (HNTU10).
 All dimensions are based on origin specification and are subject to change and variation.
 Please consult your Design Associate for current specifications.

WATERWORKS



ESTB. 1978

WATERWORKS SERVICE PARTS



WELCOME TO

WATERWORKS

For over three decades, Waterworks has transformed the bath through an absolute commitment to design authenticity, innovation and quality. A blend of scholarly appreciation and applied experience guarantees mechanical integrity, meticulous craftsmanship, and timeless designs.

**TO ORDER PARTS CALL
1 (800) 927-2120 (EXT 2)**

Order by part number and specify color, finish, or other options if required.

PRODUCT SUPPORT

Our Product Support team provides troubleshooting and technical problem resolution, including replacement parts and installation recommendations throughout the life of your product.

Product Support is available Monday through Friday, 8AM-6PM EST.

**LIMITED LIFETIME
WARRANTY**

Our warranty covers repair and replacement of Waterworks products if within the applicable coverage period and deemed defective by Waterworks. Waterworks will, at its option, repair or replace such products; this does not include installation costs, labor charges, or other incidental or consequential costs.

To obtain your complete warranty or inquire about warranty service, please visit us at www.waterworks.com or contact our Product Support Team.

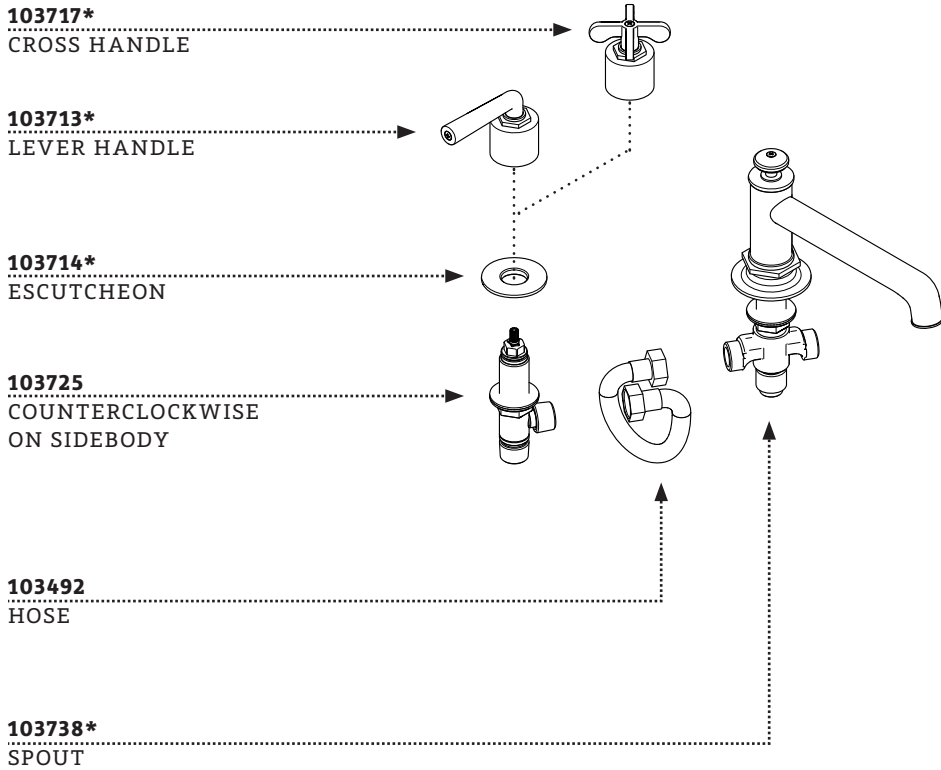


ESTB. 1978

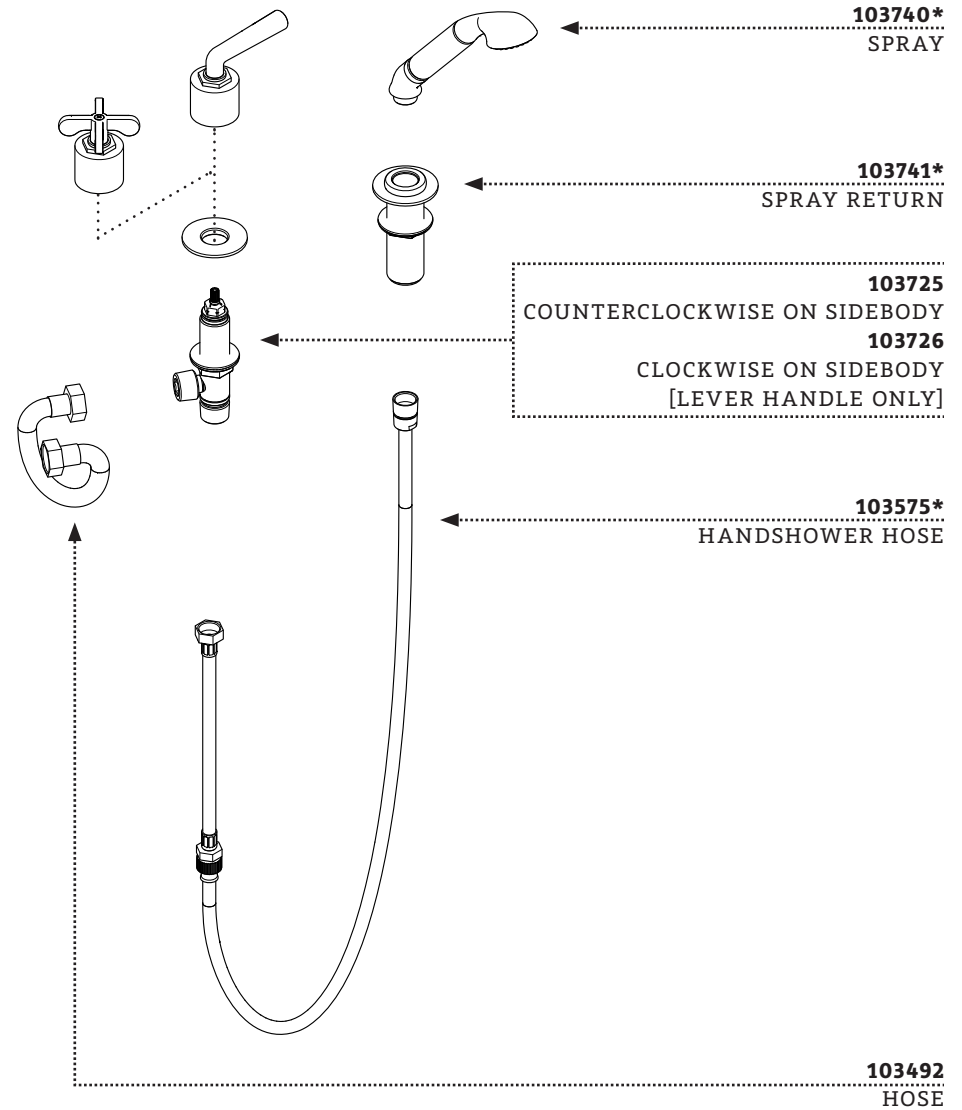
WATERWORKS

MAIN KITS

STYLES: HNTF01, HNTF10



*FINISH/COLOR MUST BE SPECIFIED WHEN ORDERING
++SUPPLIED AS A PAIR



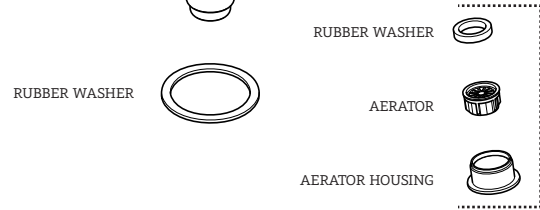
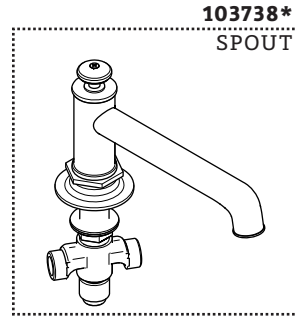
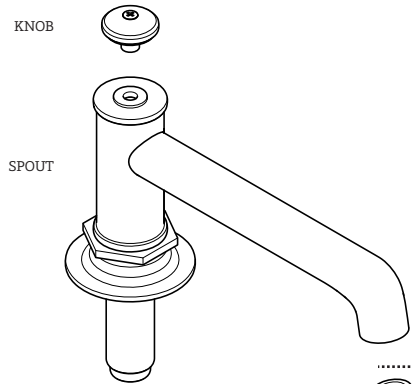


ESTB. 1978

WATERWORKS

KIT COMPONENTS

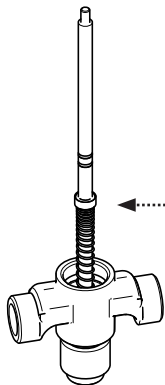
STYLES: HNTF01, HNTF10



103739*
AERATOR



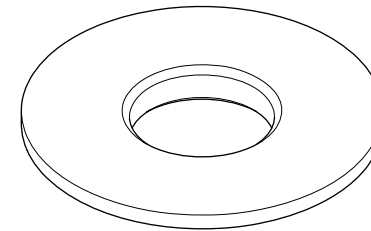
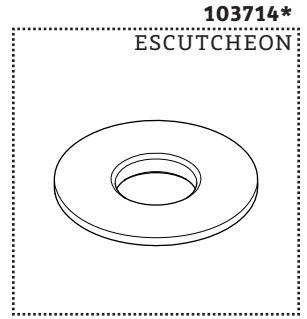
103471
MOUNTING HARDWARE



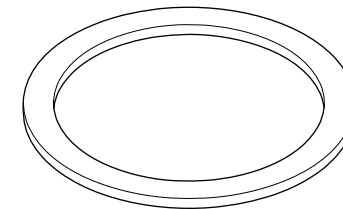
103944*
DIVERTER TEE

*FINISH/COLOR MUST BE SPECIFIED WHEN ORDERING
++SUPPLIED AS A PAIR

KIT COMPONENTS



ESCUTCHEON



RUBBER WASHER



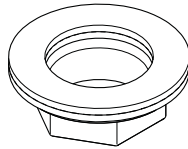
ESTB. 1978

WATERWORKS

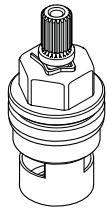
KIT COMPONENTS

STYLES: HNTF01, HNTF10

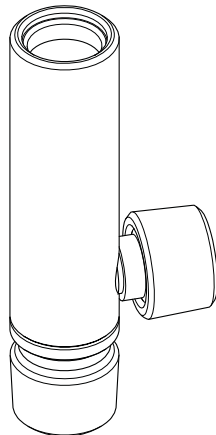
103471
MOUNTING HARDWARE



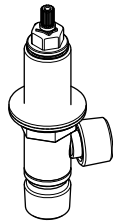
337847
COUNTERCLOCKWISE
ON CARTRIDGE



SIDEBODY



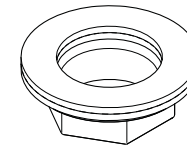
103725
COUNTERCLOCKWISE
ON SIDEBODY



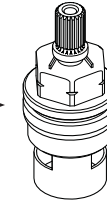
*FINISH/COLOR MUST BE SPECIFIED WHEN ORDERING
++SUPPLIED AS A PAIR

KIT COMPONENTS

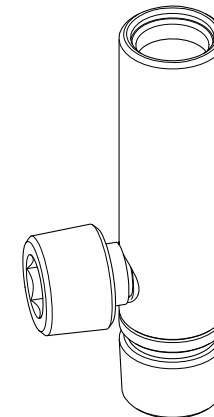
103471
MOUNTING HARDWARE



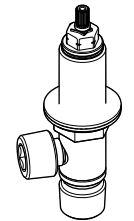
258790
CLOCKWISE ON CARTRIDGE



SIDEBODY



103726
CLOCKWISE ON
SIDEBODY





ESTB. 1978

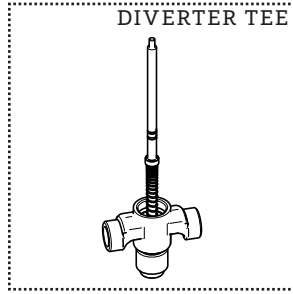
WATERWORKS

KIT COMPONENTS

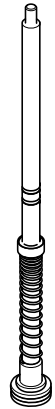
STYLES: HNTF01, HNTF10

103944*

DIVERTER TEE



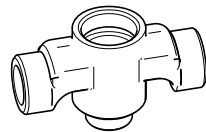
DIVERTER ROD



O-RING



TEE



RUBBER WASHER



103678
CHECK VALVE

HOUSING

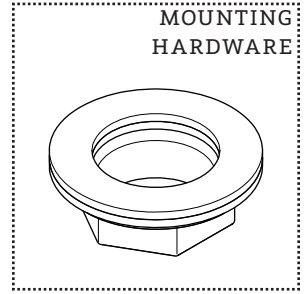


*FINISH/COLOR MUST BE SPECIFIED WHEN ORDERING
++SUPPLIED AS A PAIR

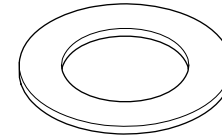
KIT COMPONENTS

103471

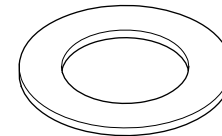
**MOUNTING
HARDWARE**



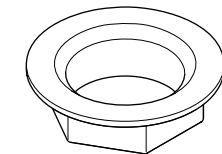
RUBBER WASHER



PLASTIC WASHER



NUT





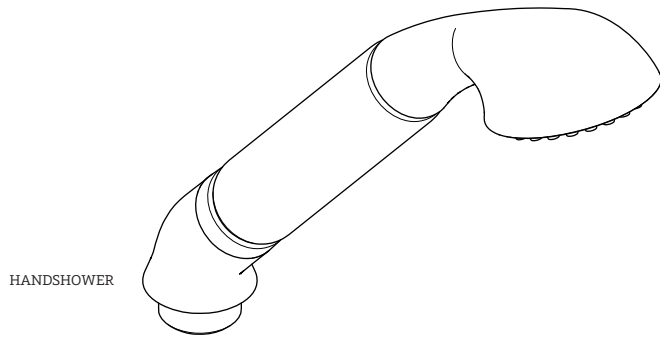
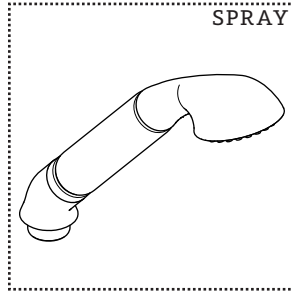
ESTB. 1978

WATERWORKS

KIT COMPONENTS

STYLES: HNTF01, HNTF10

103740*
SPRAY



HANDSHOWER

FLOW REGULATING
CHECK VALVE



CLIP

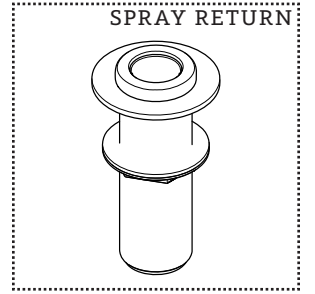


*FINISH/COLOR MUST BE SPECIFIED WHEN ORDERING
++SUPPLIED AS A PAIR

KIT COMPONENTS

103741*

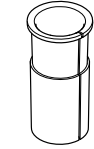
SPRAY RETURN



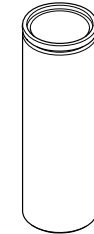
COLLAR



SLEEVE



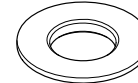
ALL THREAD TUBE



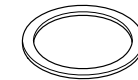
RING



ESCUTCHEON



RUBBER WASHER



RUBBER WASHER



NUT



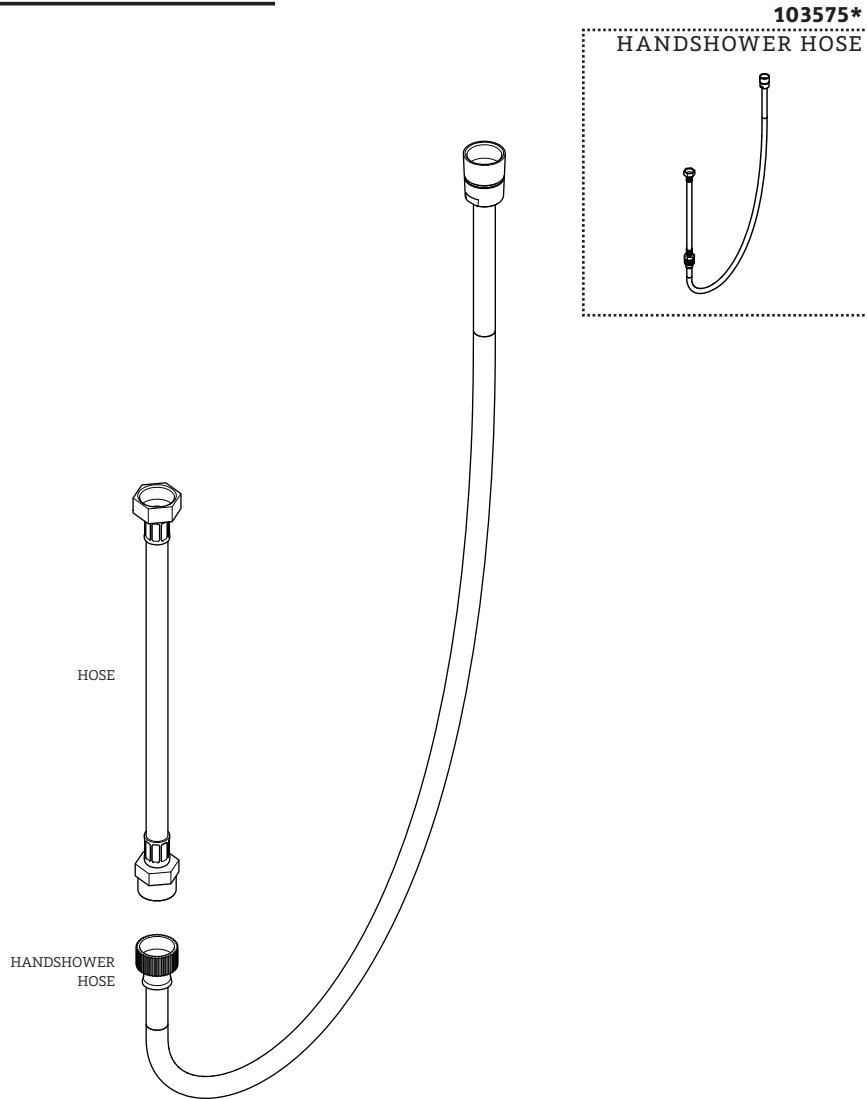


ESTB. 1978

WATERWORKS

KIT COMPONENTS

STYLES: HNTF01, HNTF10



*FINISH/COLOR MUST BE SPECIFIED WHEN ORDERING
++SUPPLIED AS A PAIR

SERVICE PARTS INDEX

<u>STYLE</u>	<u>DESCRIPTION</u>	<u>PG</u>
103739*	AERATOR	4
103678	CHECK VALVE	8
258790	CLOCKWISE ON CARTRIDGE	7
103726	CLOCKWISE ON SIDEBODY	7
337847	COUNTERCLOCKWISE ON CARTRIDGE	6
103725	COUNTERCLOCKWISE ON SIDEBODY	6
103717*	CROSS HANDLE	2
103944*	DIVERTER TEE	8
103714*	ESCUTCHEON	5
103575*	HANDSHOWER HOSE	12
103492	HOSE	3
103713*	LEVER HANDLE	2
103471	MOUNTING HARDWARE	9
103738*	SPOUT	4
103740*	SPRAY	10
103741*	SPRAY RETURN	11

DOCUMENT: SPHN14_REV01



ESTB. 1978

WATERWORKS

PRODUCT SUPPORT

60 BACKUS AVENUE
DANBURY, CT 06810

1 (800) 927-2120 (EXT 2)

WWW.WATERWORKS.COM