

INSTALLATION INSTRUCTIONS

For Exeter 2-Piece Water Closets

W A T E R W O R K S[®]

To ensure this product is installed properly, please read these instructions carefully before you begin. (Certain installations may require professional help.) Also be sure your installation conforms to local codes.

⚠ CAUTION: PRODUCT IS FRAGILE. TO AVOID BREAKAGE AND POSSIBLE INJURY HANDLE WITH CARE!

NOTE: Pictures may not exactly define contour of china and components.

RECOMMENDED TOOLS AND MATERIALS

Putty Knife	Regular Screwdriver	Adjustable Wrench	Sealant	Tape Measure
Hacksaw	Wax Ring/Gasket	Supply Tube	Closet Bolts	Carpenters Level

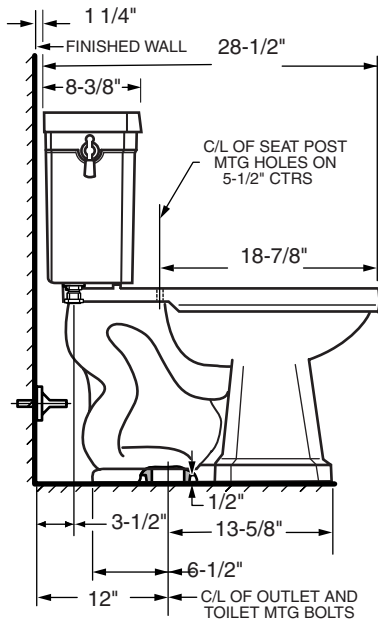
1 REMOVE OLD TOILET

- Close toilet supply valve and flush tank completely. Towel or sponge remaining water from tank and bowl.
- Disconnect and remove supply line. NOTE: *If replacing valve, first shut off main water supply!*
- Remove old mounting hardware, remove toilet and plug floor waste opening to prevent escaping sewer gases.
- Remove closet bolts from flange and clean away old wax, putty, etc. from base area.

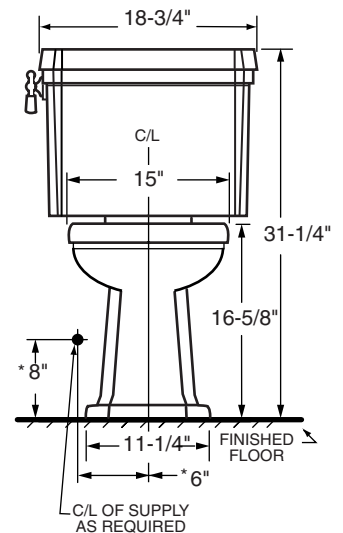
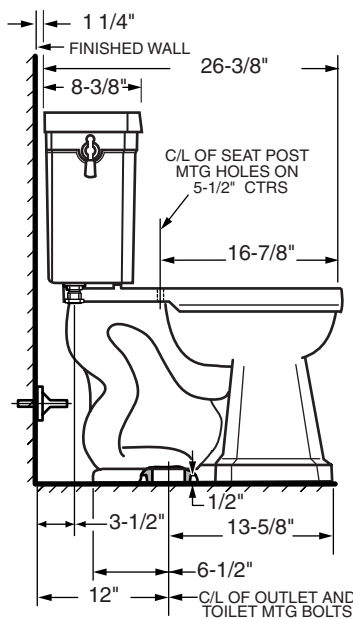
NOTE: *Mounting surface must be clean and level before new toilet is installed!*

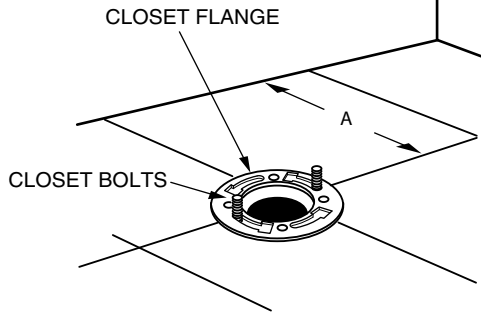
2 ROUGHING-IN DIMENSIONS:

ELONGATED (EXWA40)

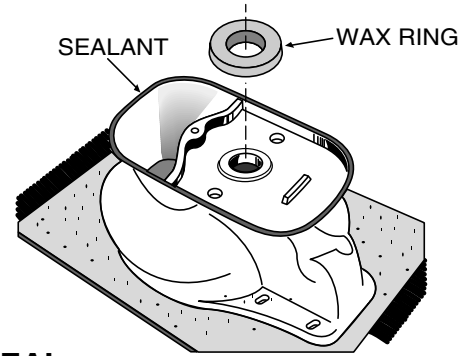


ROUND FRONT (EXWA36)

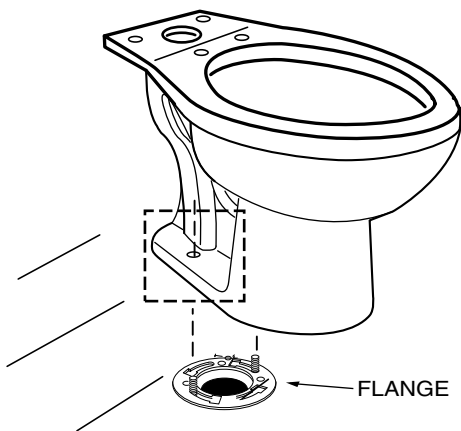


3**INSTALL CLOSET BOLTS**

Install closet bolts in flange channel, turn 90, and slide into place 6" apart and parallel to wall

4**INSTALL WAX SEAL**

Invert toilet on floor (cushion to prevent damage), and install wax ring evenly around waste flange (horn), with tapered end of ring facing toilet. Apply a thin bead of sealant around toilet base.

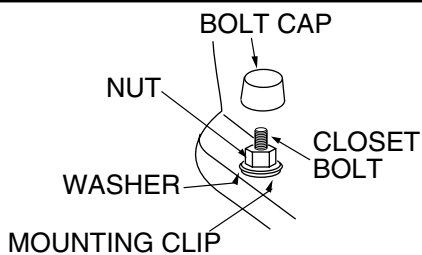
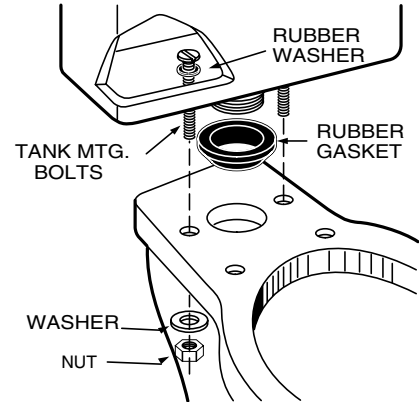
5**POSITION TOILET ON FLANGE**

- Unplug floor waste opening and install toilet on closet flange so bolts project through mounting holes.
- (See 5a) Loosely install mounting clips, retainer washers and nuts. Side of washers marked "THIS SIDE UP" must face up.
- Position toilet squarely to wall and, with a rocking motion, press bowl down fully on wax ring and flange. Alternately tighten nuts until toilet is firmly seated on floor.

CAUTION:

DO NOT OVERTIGHTEN NUTS OR BASE MAY BE DAMAGED!

- Install bolt caps on mounting clips. (If necessary, cut bolt height to size before installing caps.)
- Smooth off the bead of sealant around base. Remove excess sealant.

5a**6****INSTALL TANK**

- Install large rubber gasket over threaded outlet on bottom of tank and lower tank onto bowl so that tapered end of gasket fits evenly into bowl water inlet opening.
- Insert tank mounting bolts and rubber washers from inside tank, through mounting holes, and secure with metal washers and nuts.
- With tank parallel to wall, alternately tighten nuts until tank is snugged down evenly against bowl surface.

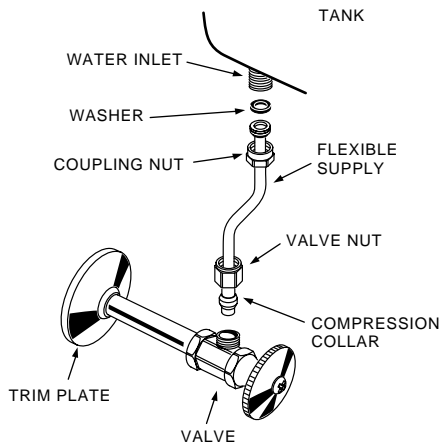
CAUTION:

DO NOT OVERTIGHTEN NUTS MORE THAN REQUIRED FOR A SNUG FIT!

7**INSTALL TOILET SEAT**

Install toilet seat in accordance with manufacturer's directions.

8



CONNECT WATER SUPPLY

- Connect water supply line between shutoff valve and tank water inlet fitting. Tighten coupling nuts securely. Check that refill tube is inserted into overflow tube.
- Turn on supply valve and allow tank to fill until float rises to shutoff position.
- Check for leakage at fittings, tighten or correct as needed.

9

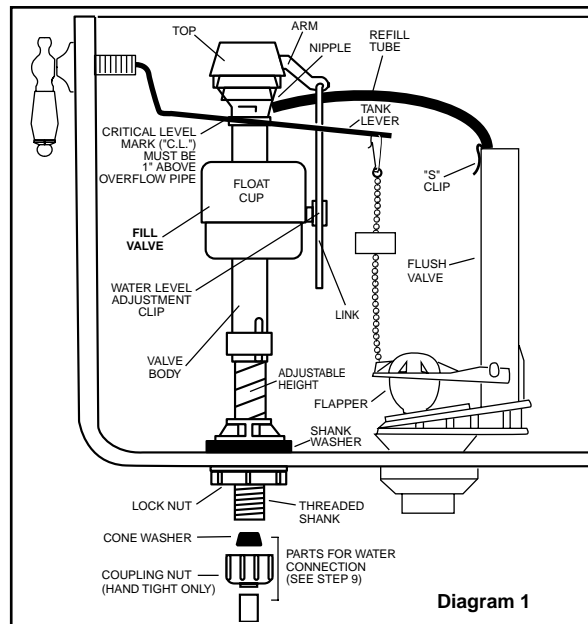


Diagram 1

ADJUSTMENTS

- Flush tank and check that tank fills and shuts off within 30 to 60 seconds, and tank water level is set as specified on tank rear wall.
- To adjust water level: turn water level adjustment screw counterclockwise to raise level; turn adjustment screw clockwise to lower level.
- To adjust flow rate (tank fill time): turn flow rate adjustment screw clockwise to decrease flow rate (increase fill time); turn adjustment screw counterclockwise to increase flow rate (decrease fill time).
- Carefully position tank cover on tank.
- The flush valve float has been factory set and does not require adjustments. Repositioning of the float will change the amount of water used which may effect the toilet's performance.
- If bowl fails to siphon, an adjustment may be required with the lift chain. Simply remove the bead chain from the retainment clip (see Fig. 10A) and take up slack on the chain, and reinsert on lift rod. Make sure the chain is not too taught.

11

CARE AND CLEANING

When cleaning your toilet, wash it with mild, soapy water, rinse thoroughly with clear water and dry with a soft cloth. NEVER use abrasive scouring powders or abrasive pads on your toilet seat. Some bathroom chemicals and cosmetics may damage the seat's finish.

WARNING: Do not use in-tank cleaners. Products containing chlorine (calcium hypochlorite) can seriously damage fittings in the tank. This damage can cause leakage and property damage.

WATERWORKS shall not be responsible or liable for any tank fitting damage caused by the use of cleaners containing chlorine (calcium hypochlorite).

TROUBLESHOOTING GUIDE

PROBLEM	POSSIBLE CAUSE	CORRECTIVE ACTION
Does not flush	<ul style="list-style-type: none"> a. Water supply valve closed. b. Supply line blocked. c. Flush valve chain too loose or disconnected. d. Stuck float/float rod. e. Water control flow rate too restricted. 	<ul style="list-style-type: none"> a. Open valve and allow water to fill tank. b. Shut off water supply, disconnect supply line, and inspect all gaskets and washers. Reassemble. c. Readjust chain length as required. d. Adjust to allow free downward movement of float arm. e. Follow instructions to increase water control flow rate.
Poor or sluggish flush	<ul style="list-style-type: none"> a. Tank water level too low. b. Bowl water level too low. c. Supply valve partly closed. d. Flush valve closes early due to high supply pressure. e. Partially clogged trapway and/or drain pipe and/or vent. f. Supply pressure too low. 	<ul style="list-style-type: none"> a. Follow instructions to adjust water level. b. Check that refill tube is connected to water control and inserted into tank overflow without being kinked or damaged. c. Open supply valve fully. Be sure that proper supply tube size is used. d. Follow instructions to reduce water control flow rate. e. Remove obstruction. Consult a plumber if necessary. f. Normal supply pressure must be at least 20 psi.
Toilet leaks	<ul style="list-style-type: none"> a. Poor supply line connection. b. Poor bowl to tank/floor connection. 	<ul style="list-style-type: none"> a. Review Step 9 of installation procedure. b. Review Step 4 through 7 of installation procedure.
Toilet does not shut off	<ul style="list-style-type: none"> a. Tank water level too high. b. Float rod or float ball depressed by tank cover. c. Flush valve chain too tight, holding flush valve open. d. Float rod interfering with flush valve closing. e. Flush valve seat and/or flapper worn or deformed. f. Sand or debris lodged in water control. 	<ul style="list-style-type: none"> a. Follow instructions to adjust water level. b. Readjust float rod. c. Readjust chain length as needed. d. Follow installation instructions to reduce water control flow rate, which will lift lowest position of float rod without affecting water level. e. Replace flapper/flush valve assembly, as needed. f. Shut off water supply. Consult a plumber, if necessary.
Noisy Flush	<ul style="list-style-type: none"> a. Water control flow rate too restricted. 	<ul style="list-style-type: none"> a. Follow instructions to increase water control flow rate.

WATERWORKS LIMITED LIFETIME MECHANICAL WARRANTY:

WATERWORKS warrants to the initial purchaser all plumbing and accessory products sold by Waterworks, which are installed in a residence to be used in a residential application, to be free from manufacturing defects in materials and workmanship for as long as the purchaser continues to own and maintain the residence where the products are initially installed.

FIVE-YEAR FINISH WARRANTY:

WATERWORKS warrants to the purchaser all plumbing and accessory products sold by Waterworks, which are installed in a residence to be used in a residential application, to be free from manufacturing defects in materials and workmanship for a period of five years from installation of the products. Waterworks must receive notice of any warranty claim within the five-year warranty period.

REPAIR OR REPLACEMENT:

If within the applicable warranty period the covered products shall be proved to the satisfaction of Waterworks to be defective, Waterworks will repair or replace such products, at its expense (provided that such repair or replacement shall not include installation costs). Waterworks' obligation shall be limited to such repair and replacement and shall be conditioned upon Waterworks' receiving notice of any alleged defect within the applicable warranty period. [Purchaser shall be responsible for all shipping charges for returned products.]

LIMITATIONS ON WARRANTY COVERAGE:

The warranties set forth above shall be extended only to the purchaser and do not apply to any purchaser where the products are used for commercial applications and usage. Furthermore, the warranties do not cover installation or any other labor charges and do not apply to:

- (i) products which have been repaired, altered or modified in any way by purchaser or any other person other than Waterworks or not using original Waterworks spare parts, unless previously authorized in writing by Waterworks;
- (ii) products which have not been installed, used, maintained or stored in accordance with the instructions provided to the purchaser by Waterworks;
- (iii) products which have been used for purposes other than or in a manner contrary to their intended and normal use;
- (iv) products which have been damaged as a result of misuse, negligence, freezing, accident or faulty installation or maintenance; and
- (v) products damaged by the effects of dirt, salt water air, hard water, limescale, or abrasive or aggressive cleaners. If the normal life span of any product is shorter than the applicable warranty period, the warranty shall apply only during the period of such shorter life span.

NOTICE OF WARRANTY CLAIMS:

For all warranty claims please call WATERWORKS PRODUCT SUPPORT at 800-927-2120, or write to Waterworks Product Support at 60 Backus Avenue, Danbury, Connecticut 06810.