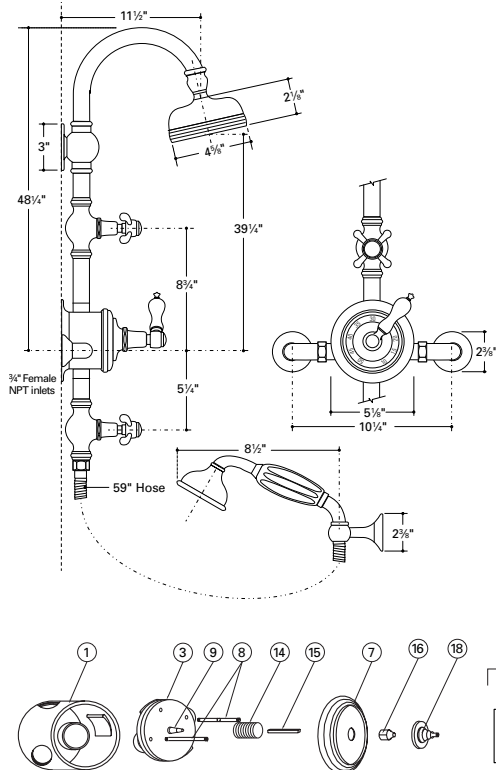


ETSV 54



ROUGH-IN:

- Check incoming water pressure; ideal operating pressure is 40 – 50 psi. Maximum static pressure = 125 psi. / Minimum static pressure = 25 psi.
- Separate hot and cold supply stops, accessibly located, will facilitate installation and repair.
- The valve should be on-site before rough-in is started. This allows the installer to visualize the installation and verify the centers for the 3/4" female NPT connections (as shown in the specification diagram above).
- The assembly should be held on the wall to verify placement before marking inlets. This ensures that the showerhead is at the proper height and that there is no interference with ceiling.
- Be sure to have blocking in the wall to support the mounting plates.
- The hot inlet is on the left and the cold inlet is on the right.
- Having verified the valve centers, rough out the hot and cold lines out of the wall at the proper centers, making sure that the piping is level, secure, and protected. Then, test for leaks.

FLUSHING OUT SYSTEM:

- Loosen the screws in face of valve in order to remove valve cover; cartridge is attached.
- Using the flat gasket provided to make a seal, flip the cover/cartridge over and secure to the face of the valve using the screws provided.
- Fully open the hot and cold supply lines and flush out for several minutes. Return the cartridge to its original position.

FINISH:

Please refer to the specification diagrams on the left side of this page.

- Use only a protected, smooth-jawed, or strap wrench on any finished surface.
- Flush supply piping before installing the valve.
- Remove the wall elbows from the valve. Having put the escutcheons in place, thread the connections, making sure that they are in the proper position to receive the valve. Secure the elbows to the body using the washers that are provided.
- Fix the unit to the wall with mounting screws provided.
- Check for leaks.

EXTREMELY IMPORTANT:

Adjusting the Temperature.

- Using a thermometer, check that the water temperature agrees with what the pointer indicates. If not, calibration is necessary.
- Remove handle assembly (#4) by unscrewing exposed screw on face of lever handle. Cover should be hand tight. Note: Removal of handle assembly will expose set-screw on temperature indicator (#18). Loosen set-screw and remove part #18.
- Let the water run at an average temperature and take a reading of the water temperature with a thermometer. Temperature adjustments are made by inserting and turning a screwdriver into the square tube (#15).
- Place the temperature indicator (#18) on the cap (#16) and adjust the metal pointer to the position corresponding to the obtained water temperature.
- Lock the set-screw onto the cap (#16) and reattach the handle assembly.
- In order to bypass the temperature safety limit of 104°F, depress the metal pointer and turn counterclockwise to temperatures exceeding this limit. For maximum bather safety, avoid activating this bypass feature.
- If further assistance is required, please contact Product Support at 1-800-927-2120 (8am–7pm EST).

These guidelines have been prepared for the professional contractor to aid in the installation of: **ETOILE EXPOSED THERMOSTATIC SHOWER WITH HANDSHOWER, RISER, AND ROSE WITH SWIVEL (ETSV 54)**

All dimensions are based on original specifications and are subject to change and variation. Please consult your Design Associate for current specifications.