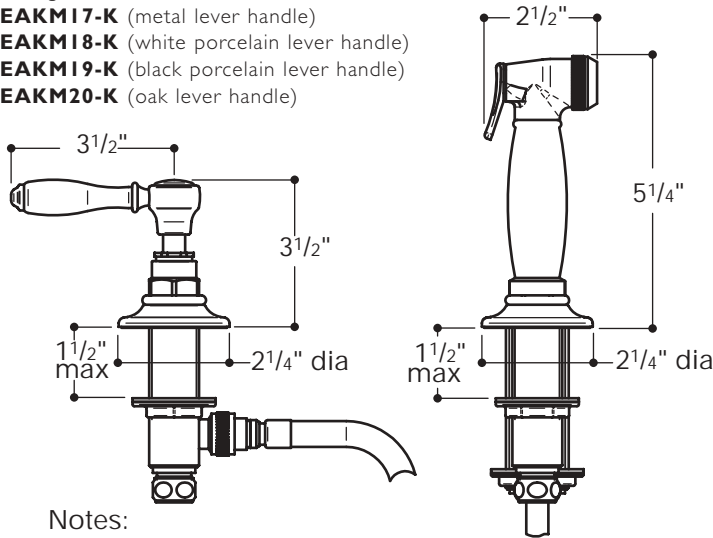


Classic

- EAKM07-K** (metal lever handle)
- EAKM08-K** (white porcelain lever handle)
- EAKM09-K** (black porcelain lever handle)
- EAKM10-K** (oak lever handle)

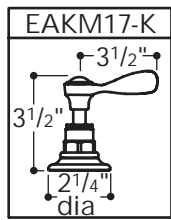
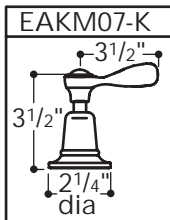
Vintage

- EAKM17-K** (metal lever handle)
- EAKM18-K** (white porcelain lever handle)
- EAKM19-K** (black porcelain lever handle)
- EAKM20-K** (oak lever handle)



Notes:

- This rinse is plumbed separately from the faucet; see Installation Guidelines for details.
- 1 3/8 inch drill hole diameters.



INSTALLATION GUIDELINES:

IMPORTANT:

- To ensure this product is installed properly, you must read and follow these guidelines.
- The owner/user of this product must keep this information for future reference.
- This kitchen rinse is plumbed separately from the faucet.
- Be sure your installation conforms to all applicable codes.
- Refer to the specification and assembly drawings attached. This product is sold partially assembled but shown fully disassembled for illustrative and service purposes only.
- Inspect this product to assure you have all parts required for proper installation.
- Use only a strap wrench or protected/smooth-jaw wrench on any finished surface.

- If possible, install this assembly on the sink or mounting surface before setting.
- Do NOT use putty during this installation.

ROUGH IN:

1. **IMPORTANT:** This rinse is plumbed separately from the faucet, and, as a result, water will NOT flow out of the rinse at the same temperature as the water flowing out of the spout.
2. There are 2 options for rough in:
 - a. Install a tee fitting off of the 1/2 inch cold supply line
 - b. Install an accessible tempering valve (not supplied) off of the hot and cold line. This will allow the user to set the temperature of the water flowing out of the rinse.

SIDE VALVE INSTALLATION:

3. With the lock nut (18) and upper sealing gasket (17) installed on the side valve (20), insert the valve into the hole in the mounting surface so at least 1/2 inch of threads are exposed.
4. Place the upper sealing gasket (16) onto the side valve and then thread the base escutcheon (15) onto the side valve.
5. Thread the handle assembly (1-14) onto the side valve until it stops. Hand tight is adequate; if this assembly is too tight, the handle will bind.
6. Unthread the base escutcheon until it contacts the cover (11) which will assure proper valve height.
7. Tighten the lock nut up against the underside of the mounting surface to secure the side valve.

RINSE INSTALLATION:

8. Unthread the escutcheon ring (27) from the return (29) and pull out the slotted plastic hose sleeve (28).
 9. Drop the knurled end of the hose (25a) into the return and then slide the hose sleeve over the hose (25).
 10. Insert the hose sleeve into the return and reattach the escutcheon ring to secure the hose sleeve.
 11. Remove the lock nut (33) and gasket (32) and insert the hose and return assembly (27-29) through the hole in the mounting surface.
 12. Reinstall the gasket (32) and then tighten the lock nut up against the underside of the mounting surface to secure the return.
- If further assistance is required, please contact Product Support at 1-800-927-2120 (8am-7pm EST).

9/04 These guidelines have been prepared for the professional contractor to aid in the installation of: EASTON® KITCHEN RINSE (Classic-EAKM07-10) (Vintage-EAKMI 7-20)
 All dimensions are based on original specifications and are subject to change and variation. Please consult your Design Associate for current specifications.

13. Thread the knurled end(25a) of the hose onto the side valve(20) and the conical end(25b) of the hose onto the rinse(26) while making sure a 1/2" washer(24) is used at both connections.

14. Connect the side valve to the water supply(not supplied).

RINSE OPERATION AND INSTALLATION

INSPECTION:

15. IMPORTANT: The side valve MUST be in the OFF position when the rinse is not being used. If the side valve is left on, standing water pressure will cause the rinse hose to burst.

16. Unthread the rinse from the hose and then open the side valve to flush out any debris in the supply lines.

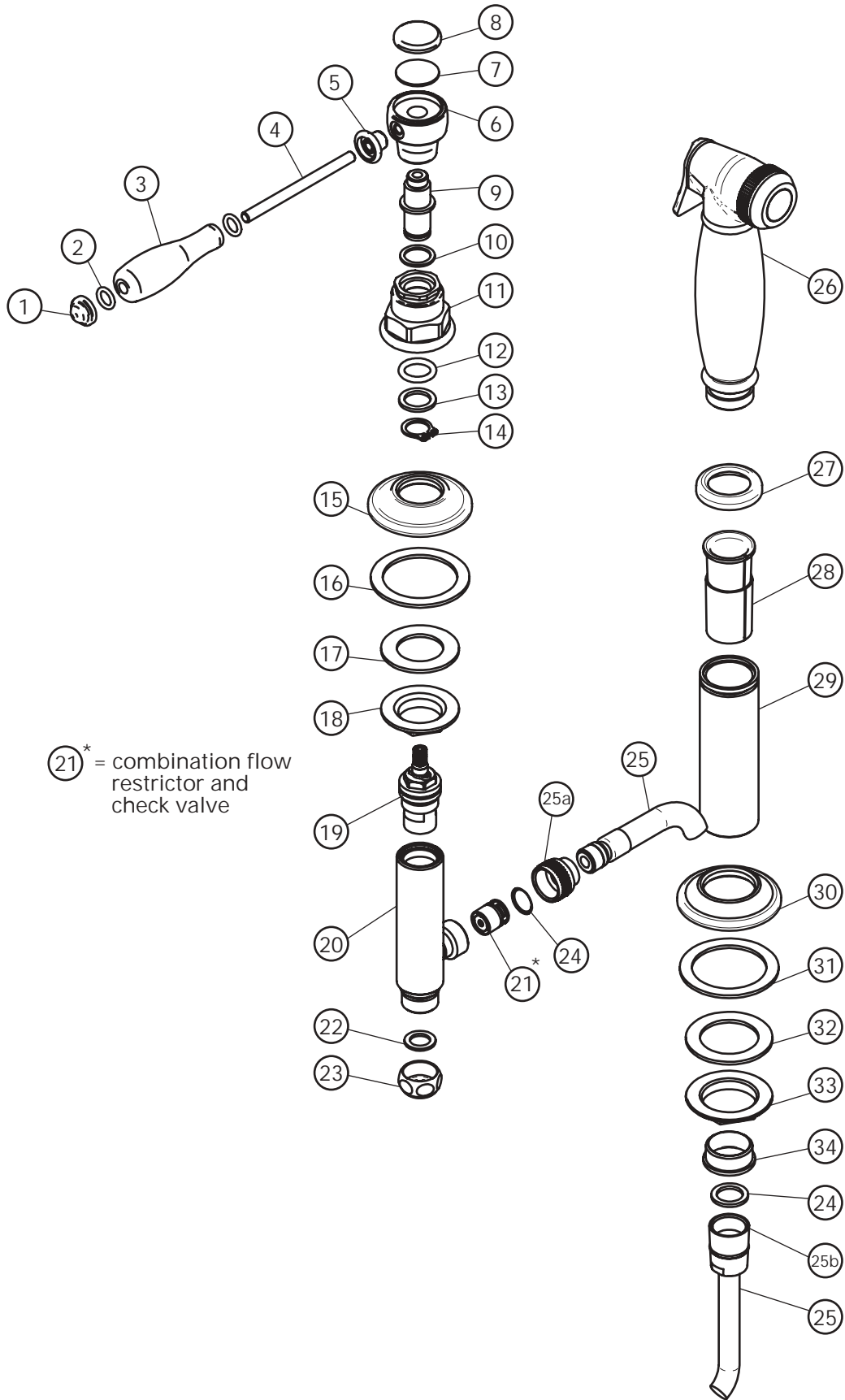
17. Reattach the rinse, press the thumb lever to start the flow of water; release it to stop the water. If water continues to drip out of the face of the rinse after releasing the thumb lever; unthread the knurled ring from the rinse head and adjust the slotted screw inside of the head.

18. A combination flow restrictor and check valve(21) is located in the side valve(20) and can be serviced by removing the rinse hose from the side valve.

19. Inspect all connections for leaks.

20. When finished, turn the side valve off.

➤ If further assistance is required, please contact Product Support at 1-800-927-2120 (8am-7pm EST).



(21)* = combination flow restrictor and check valve

These guidelines have been prepared for the professional contractor to aid in the installation of:
EASTON® KITCHEN RINSE(Classic-EAKM07-10)
(Vintage-EAKM17-20)
 All dimensions are based on original specifications and are subject to change and variation.
 Please consult your Design Associate for current specifications.