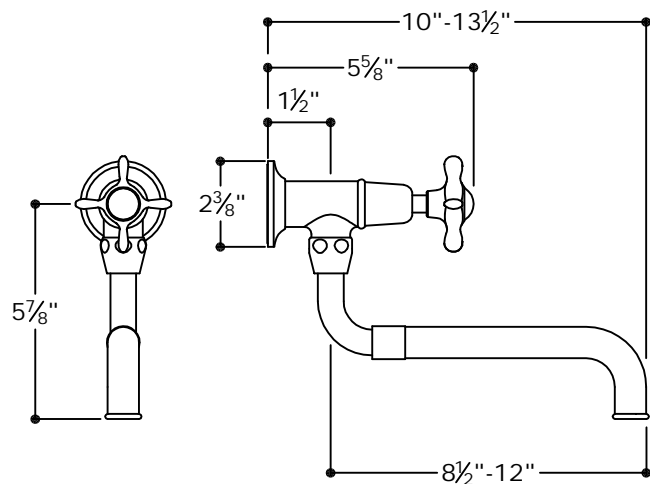


**EAKM21****ROUGH IN:**

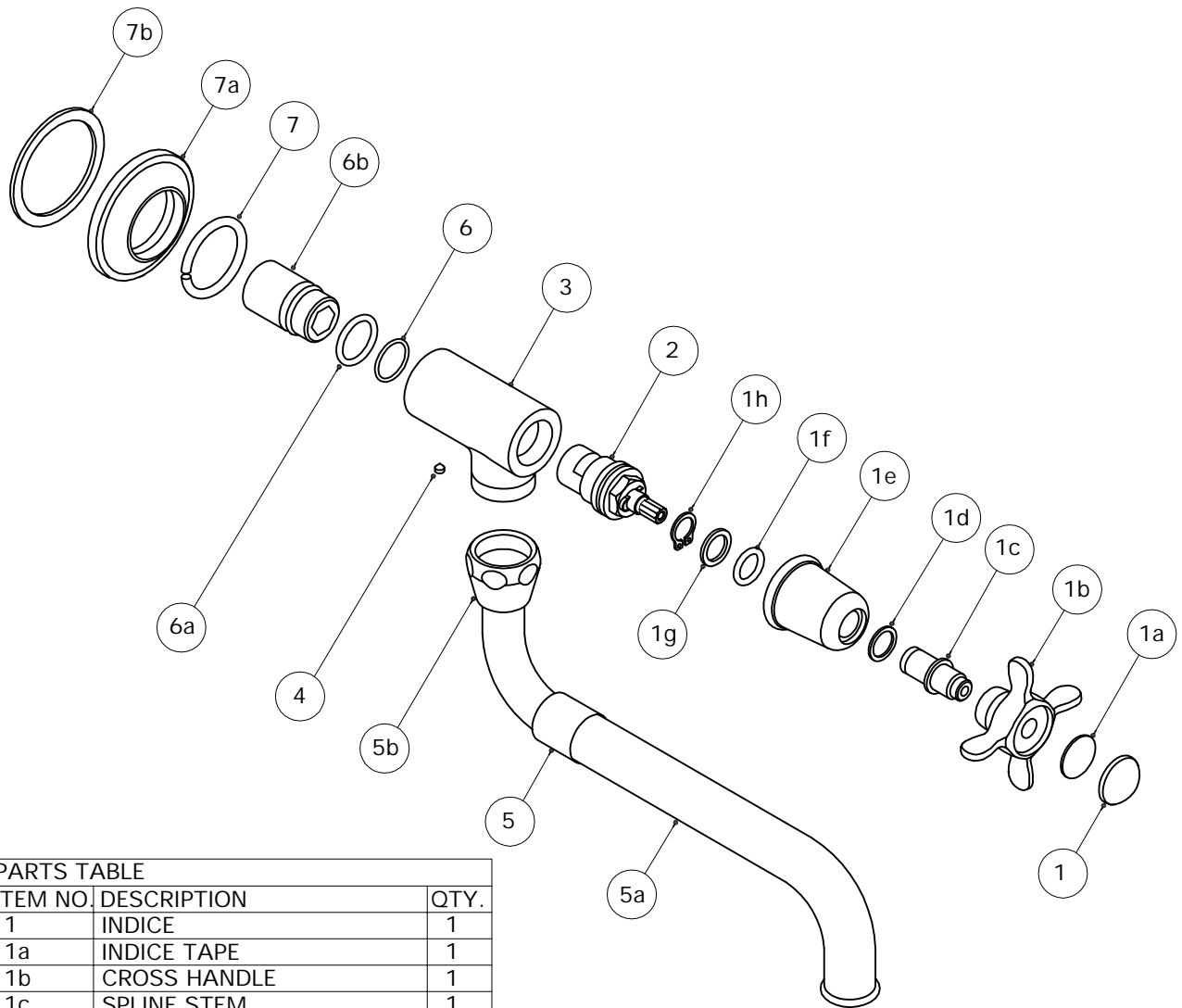
1. Determine the ideal location of the faucet body based on the clients preference.
2. Finish the rough in by installing a well supported 1/2" NPT nipple. The face of the nipple should be recessed 1/4" behind the surface of the finished wall.

**INSTALLATION:**

3. Loosen the 2mm set screw (4) on the underside of the valve body (3).
  4. Pull the brass adapter (6b) out of the valve body then using a 12mm hex wrench, thread the adapter onto the NPT nipple.
  5. Slide the escutcheon assembly (7-7b) back onto the valve body, thread the faucet assembly onto the adapter (6b) then tighten the set screw. Slide the escutcheon toward the wall.
  6. Remove the spout by unthreading the spout nut (5b) then turn on the water to verify proper function.
  7. Note that a primary filter screen is located inside the spout nut (5b). A secondary filter screen is located inside of the spout collar (5). To access the secondary filter screen, unthread the spout collar and pull off the front portion of the spout.
  8. Remove filter screens and flush thoroughly.
  9. To adjust the spout reach, simply pull/push the spout. The spout reach can be locked at a fixed position by tightening the spout collar (5).
  10. To access the cartridge, unthread the handle assembly (1-1h). Do not over-tighten the handle assembly; hand tight is adequate. If this assembly is too tight, the handle will bind.
- If further assistance is required, please contact Product Support at 1-800-927-2120 (8am-7pm EST).

**IMPORTANT**

- To ensure this product is installed properly, you must read and follow these guidelines.
- The owner/user of this product must keep this information for future reference.
- Be sure your installation conforms to local codes.
- This product must be installed by a professional contractor.
- Inspect this product to assure you have all parts required for proper installation.
- Use only a strap wrench or protected/smooth-jaw wrench on any finished surface



PARTS TABLE		
ITEM NO.	DESCRIPTION	QTY.
1	INDICE	1
1a	INDICE TAPE	1
1b	CROSS HANDLE	1
1c	SPLINE STEM	1
1d	O-RING	1
1e	GLAND COVER	1
1f	O-RING	1
1g	WASHER	1
1h	CLIP	1
2	CARTRIDGE	1
3	VALVE BODY	1
4	2mm SET SCREW	1
5	SPOUT COLLAR	1
5a	SPOUT	1
5b	SPOUT NUT	1
6	WASHER	1
6a	O-RING	1
6b	ADAPTER	1
7	O-RING	1
7a	ESCUTCHEON	1
7b	WASHER	1