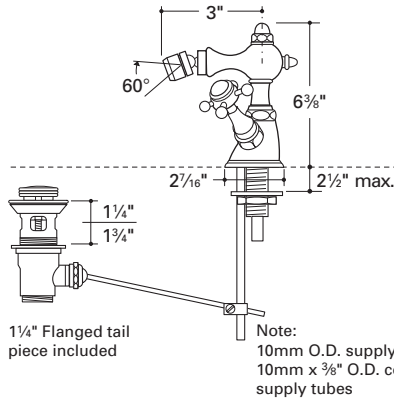


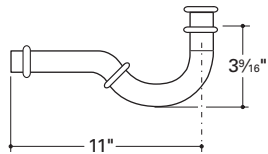
JUBF 19



1 1/4" Flanged tail piece included

Note:
10mm O.D. supply tubes
10mm x 3/8" O.D. compression supply tubes

JUBF 94



Note:
Accepts 1 1/4" tail piece

INSTALLATION GUIDELINES

- Use only a protected, smooth-jawed, or strap wrench on any finished surface.
- A low-level bidet trap (JUBF 94) for wall rough-in is available. (See specifications at left.)
- Rough-in dimensions supplied with bidet.
- DO NOT use putty on deck fitting. Upper and lower washers are provided.
- Upper waste assembly can be set with putty.
- Adjust vertical pop-up rod to rest 1/32" above spout when waste is in the open position. If rod hits trap, cut excess.
- Two couplings provided (10mm x 3/8" O.D.) for water supply connection.
- After installation, unscrew and remove the aerator assembly. Carefully open the hot and cold valves fully to flush out any debris in the supply lines. Once the lines have been flushed, close the valves and reinstall the aerator assembly.
- For servicing valve stem: Pull out index assembly (held in place by friction O-ring), exposing screw for handle. Cover should be hand tight.
- If further assistance is required, please contact Product Support at 1-800-927-2120 (8am-7pm EST).

These guidelines have been prepared for the professional contractor to aid in the installation of:
JULIA BIDET FITTING (JUBF 19)
Low level bidet trap (JUBF 94) ordered separately

All dimensions are based on original specifications and are subject to change and variation. Please consult your Design Associate for current specifications.