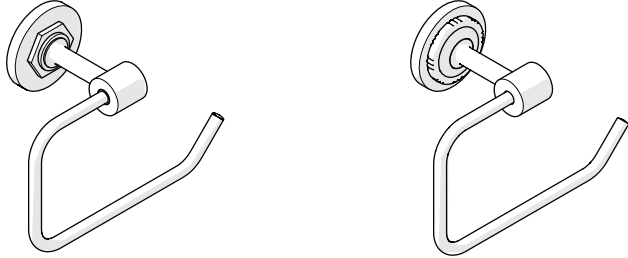


# INSTALLATION GUIDELINES

## WALL MOUNTED ACCESSORIES



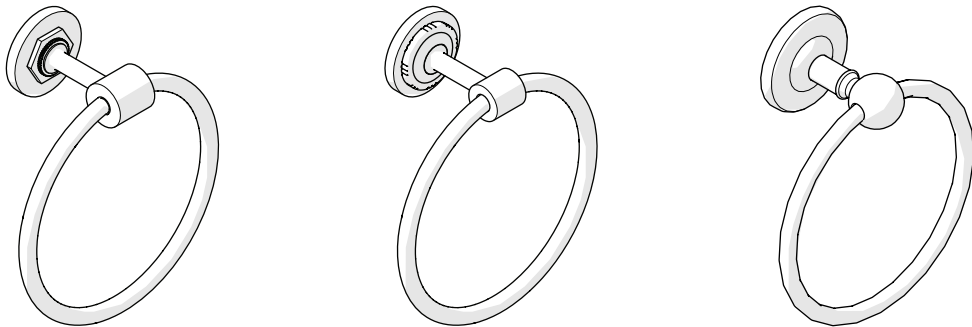
### HENRY, HENRY CHRONOS, & REGULATOR SWING ARM PAPER HOLDER

STYLES	
HNP01	CNP01



### HENRY, HENRY CHRONOS, & REGULATOR SINGLE HOOK

STYLES		
HNR01	CNR01	RGR01



### HENRY, HENRY CHRONOS, & REGULATOR 6-3/4" TOWEL RING

STYLES		
HNT01	CNT01	RGT01

#### IMPORTANT:

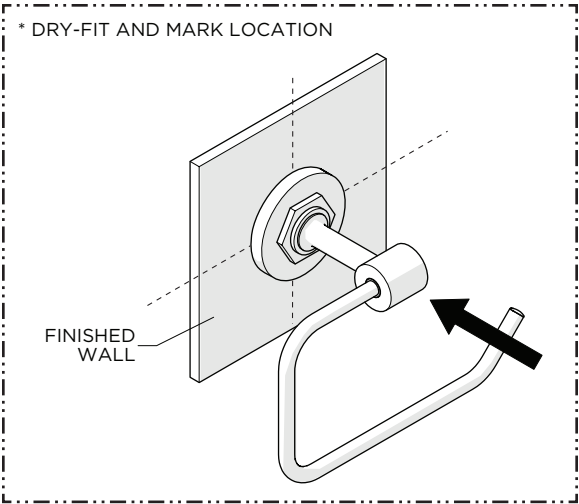
- To ensure this product is installed properly, you must read and follow these guidelines.
- The owner/user of this product must keep this information for future reference.
- This product must be installed by a professional licensed contractor. Inspect this product to ensure you have all the parts required for proper installation.
- DRYWALL ANCHORS for a typical drywall installation are provided. Do **NOT** use the ANCHORS if mounting directly onto wood blocking or a stud.
- If further assistance is required, please contact Product Support at 1-800-927-2120 Monday through Friday, 8am - 6pm EST.

#### TECHNICAL DETAILS:

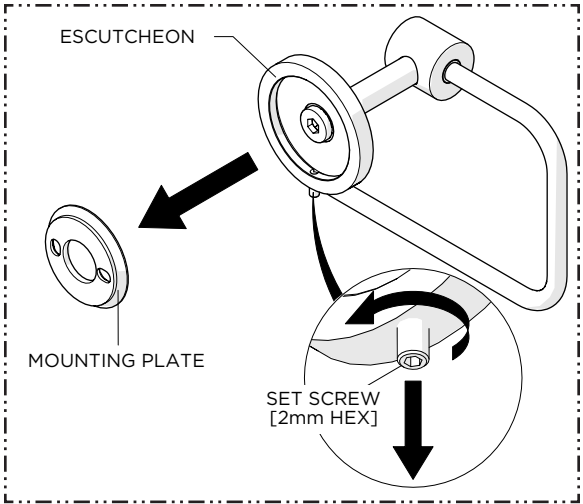
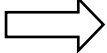
DETAIL	SPECIFICATION
PRIMARY MATERIAL	BRASS

# INSTALLATION GUIDELINES

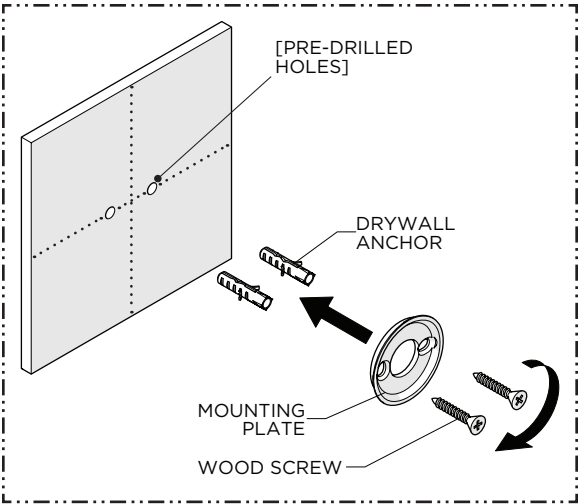
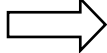
## WALL MOUNTED ACCESSORIES



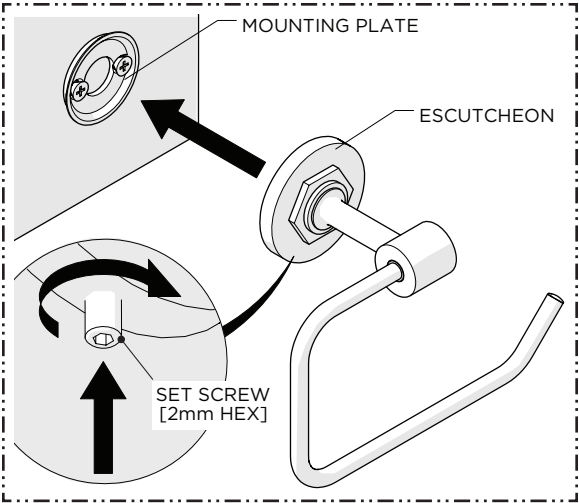
1. Dry-fit the product to the finished wall and mark the ideal location for installation.



2. Loosen, but do **NOT** remove, the SET SCREW on the bottom of the ESCUTCHEON using a 2mm HEX KEY then remove the MOUNTING PLATE.



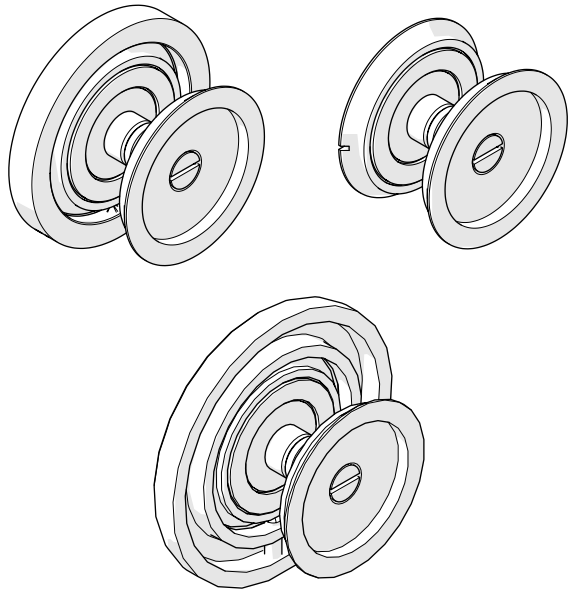
3. Using the previous marks as a reference, install the MOUNTING PLATE using the SCREWS and ANCHORS provided.



4. Place the product over the MOUNTING PLATE and securely tighten the SET SCREW.

# INSTALLATION GUIDELINES

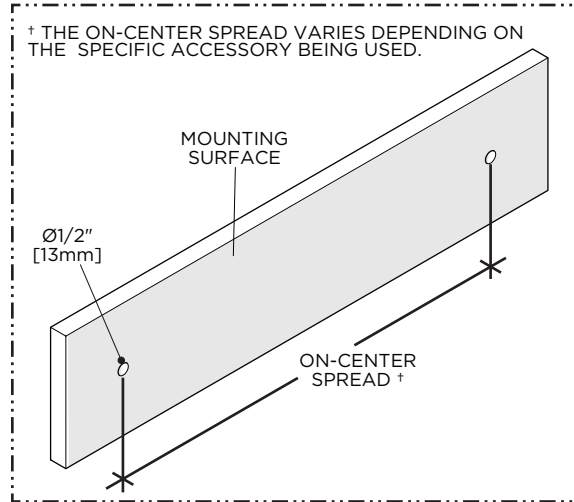
## UNIVERSAL SINGLE OR DOUBLE SIDED GLASS MOUNT ADAPTER



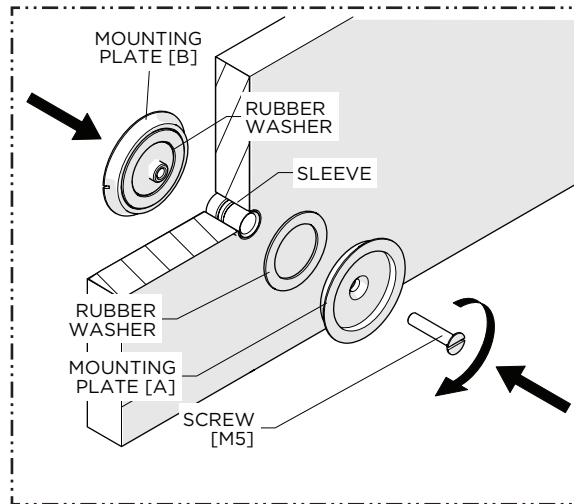
STYLES		
100725	100726	100745

### IMPORTANT:

- To ensure this product is installed properly, you must read and follow these guidelines.
- The owner/user of this product must keep this information for future reference.
- This product must be installed by a professional licensed contractor.
- This product can be installed on glass that is 1/4" [6mm], 3/8" [10mm], 1/2" [13mm], or 3/4" [19mm] thick.
- This product requires a 1/2" [13mm] hole for proper installation. If using this product with a TOWEL BAR or SHELF, verify the on-center spread of the specific product being used **before** drilling the 1/2" [13mm] holes.
- To avoid damaging the product, do NOT use power tools during installation.
- If further assistance is required, please contact Product Support at 1-800-927-2120 Monday through Friday, 8am - 6pm EST.



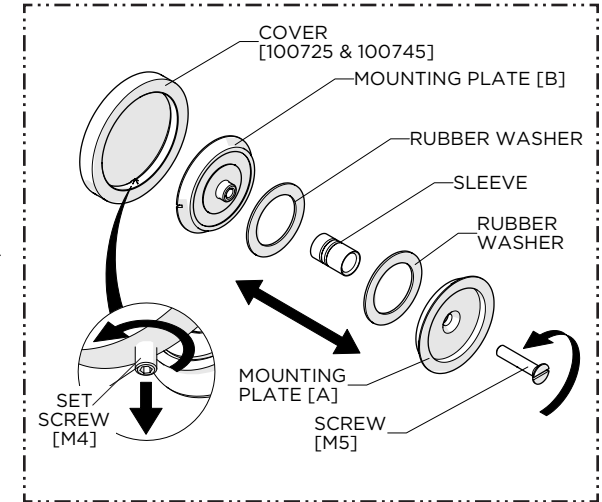
1. Ensure any pre-drilled hole is a 1/2" [13mm]. For ACCESSORIES with 2 mounting holes, ensure the holes are level and at the proper on-center spread.



3. Insert the SLEEVE into the pre-drilled hole then reassemble the ADAPTER using the SCREW provided.

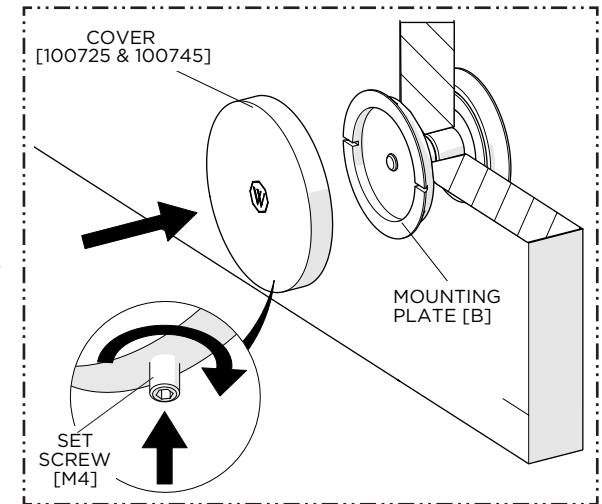
**NOTE:** The SLEEVE can be cut and two SCREWS [M5] are provided to accommodate different glass thicknesses.

# WATERWORKS



2. Disassemble the components by unthreading the SCREW on the MOUNTING PLATE [A].

**NOTE:** Remove the COVER used on style number 100725 & 100745 by loosening the SET SCREW.



4. If used, reattach the COVER.
- **FINISH THE INSTALLATION FOLLOWING THE GUIDELINES PROVIDED WITH THE ACCESSORY BEING USED. THE MOUNTING PLATE(S) PROVIDED WITH THE ACCESSORY CAN BE DISCARDED.**