

EU3B-(MD058)

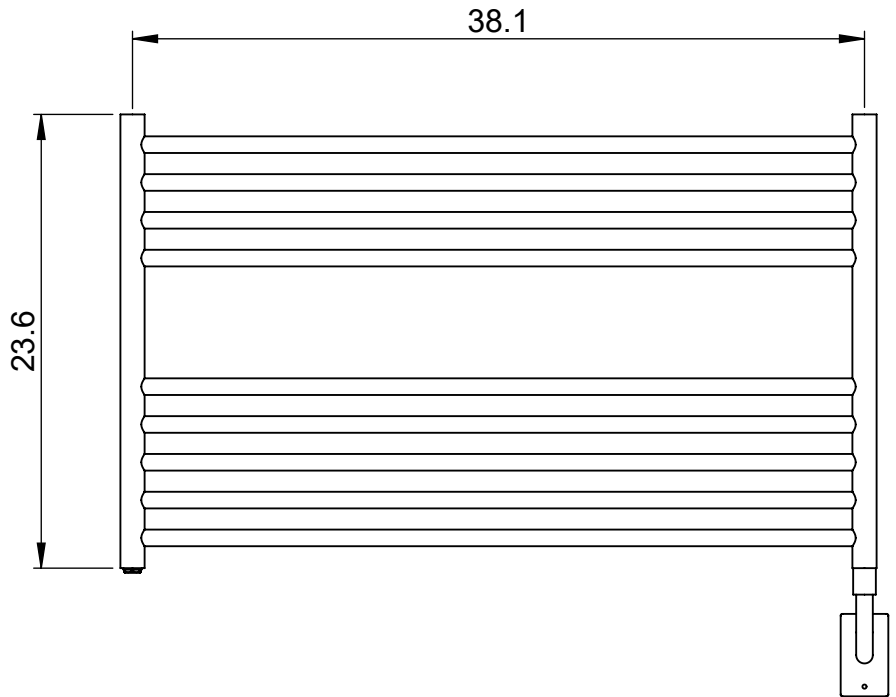
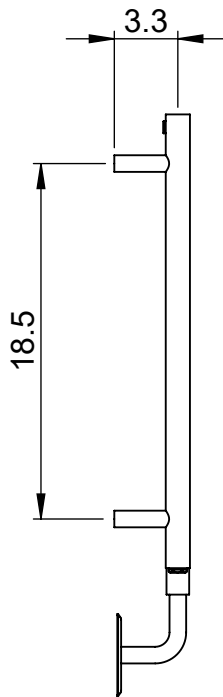
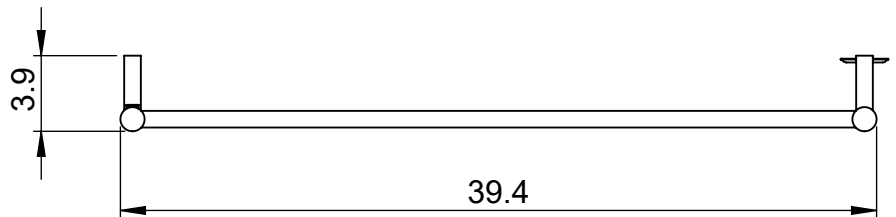
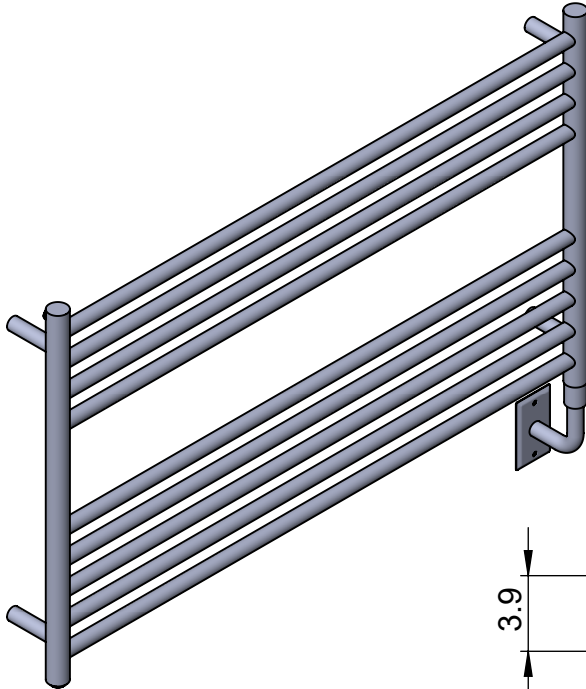
23.6x39.4

Height: 23.6
Width: 39.4
Depth: 3.9
Weight HO: 5.5 kg
EO: 9.5 kg

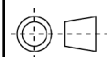
Tube ϕ : 1.25 + 0.9
Pipe Centres: 38.1
Elec. element if specified: 125
Output @ 50°C Δ T Watts: N/A
BTUs: N/A

All dimensions in millimetres

Manufactured from 1.4201/X5CrNi18-10 stainless steel



Vogue UK Ltd. reserve the right to alter specifications without prior notice.
ALL MEASUREMENTS ARE NOMINAL DIMENSIONS ONLY, AND ARE NOT BINDING.



SCALE 1:10



175 Memorial Drive Unit C
Shrewsbury MA 01545 USA
Tel: 508 887 8771 Fax: 508 887 8774
e-mail: info@vougeuk.com ww.vougeuk.com