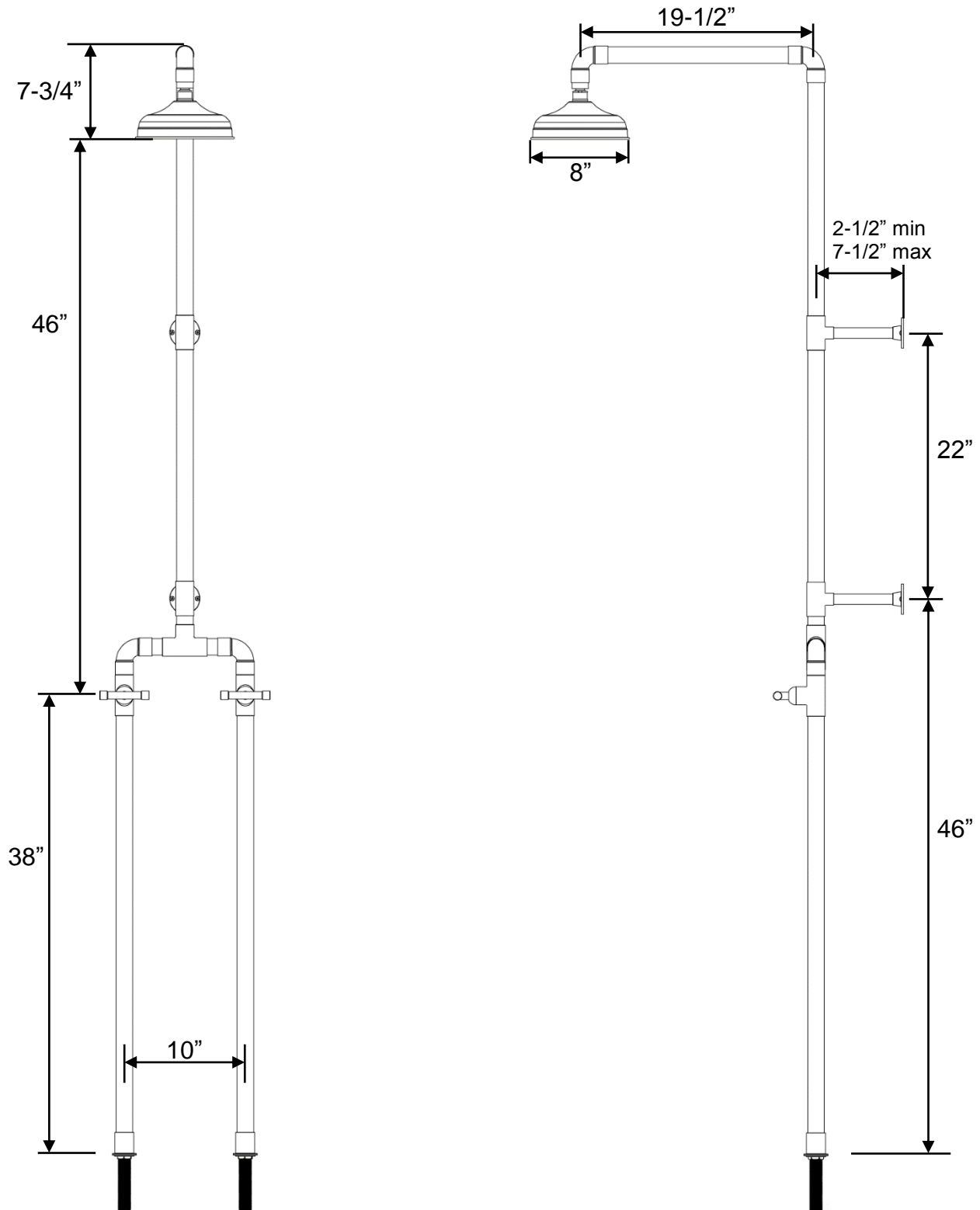




PRODUCT SPECIFICATIONS

Waterbridge Exposed Shower WB-SHW-1040

Feb 2018



- Dimensions apply to systems produced after Jan. 1st, 2018
- Custom dimensions and finishes available

Connection	3/4" NPS
GPM	2.0