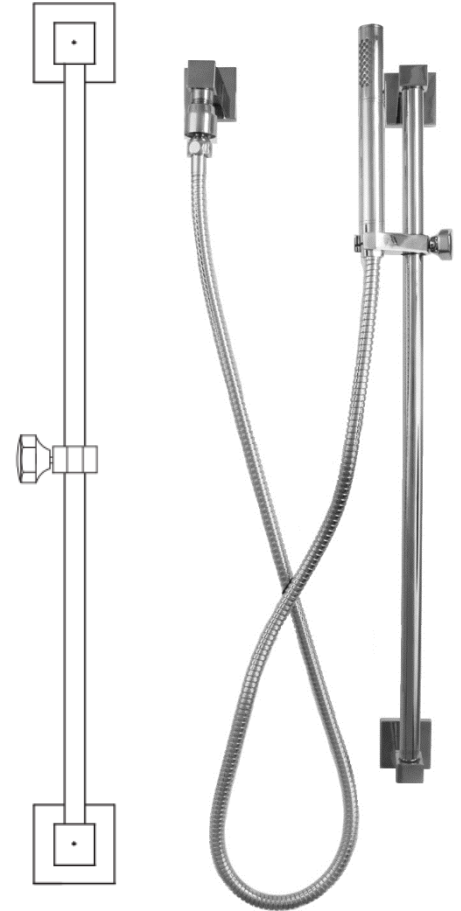
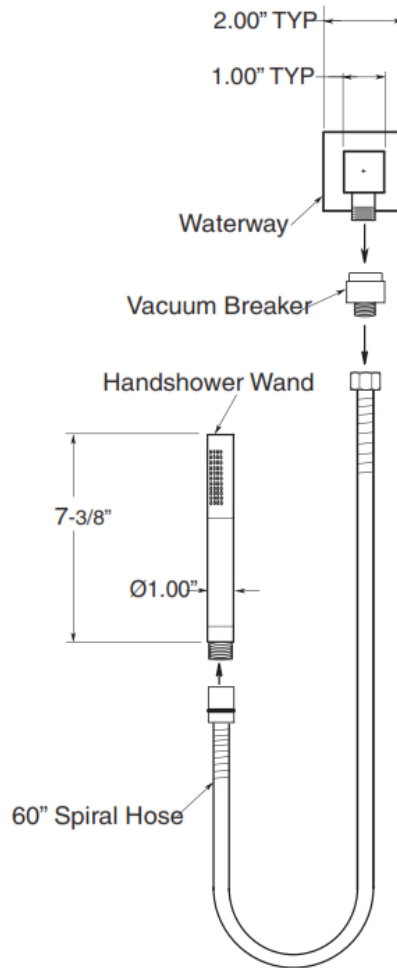
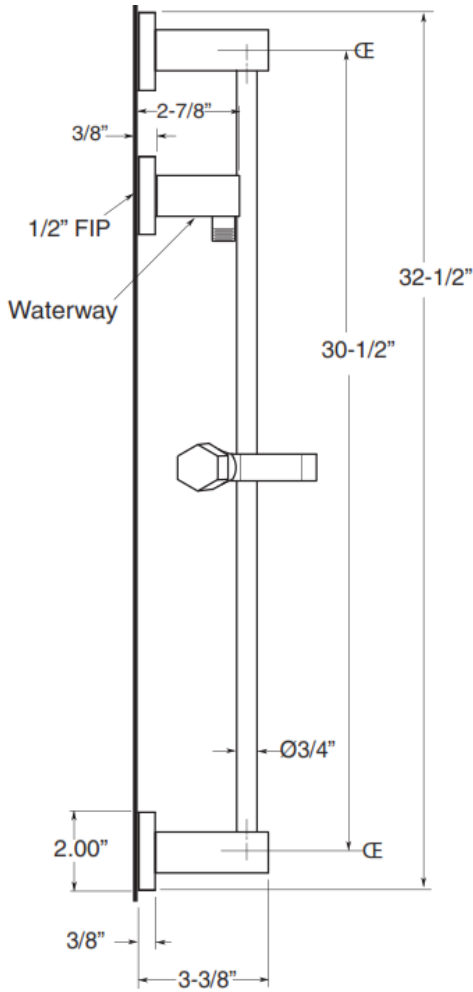




PRODUCT SPECIFICATIONS

Handshower Kit with Slidebar ST-10-132

Sep 2015



- ADA Compliant
- Custom finishes available

Connection	1/2"
GPM	2.5