



PERRIN & ROWE® GEORGIAN ERA™ FILTRATION KIT 3-LEVER BAR/FOOD PREP FAUCET

**U.KIT1220**

**FEATURES**

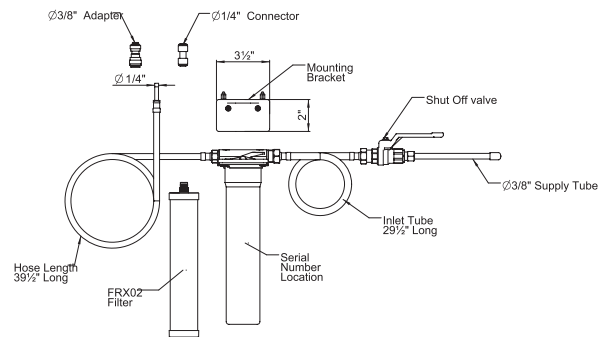
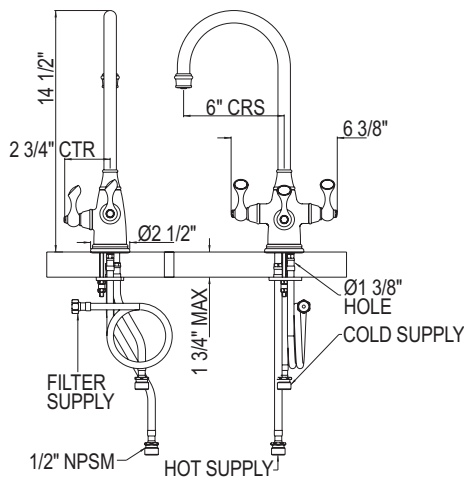
- Metal lever handles only
- Made from solid brass
- Ceramic 1/4-turn valves
- 1 3/4" max. installation depth on deck
- Faucet made in England. Filter made in Switzerland.
- 14 1/2" spout height
- 6" reach swivel spout
- Filtered water .5 GPM, hot and cold water  
1.5 GPM @ 45 PSI

**COLORS/FINISHES**

- Polished Chrome
- Polished Nickel
- Satin Nickel
- English Bronze
- English Gold\*
- Satin English Gold\*
- Unlacquered Brass\*\*

**WARRANTY**

- Limited Lifetime Warranty
- \* 5 Year Limited Warranty
- \*\*No Warranty



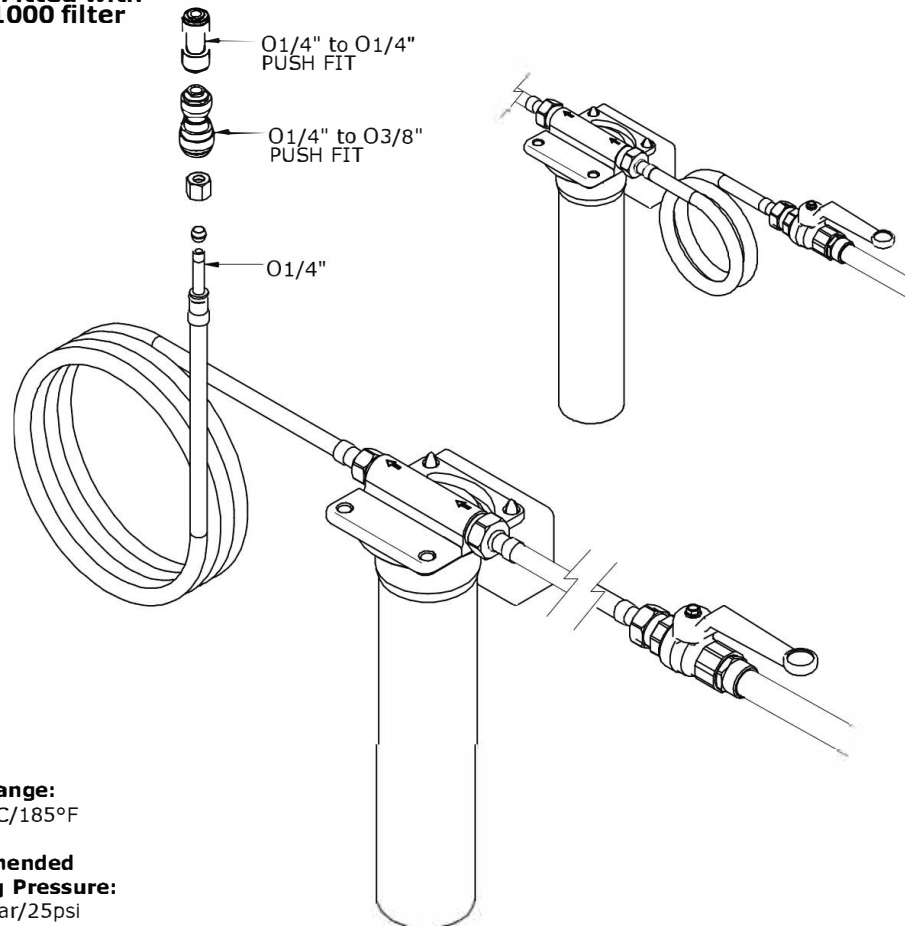
Installation Instructions

**PERRIN & ROWE**  
MAYFAIR LONDON

**The Triflow Kitchen Collection**

**Filter Installation Guide**

● **HRK-2000 Pre-Filter Fitted with HRF-1000 filter**



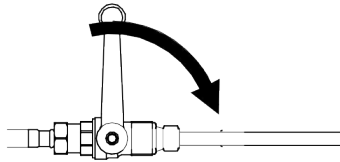
**Temp Range:**  
Max 85°C/185°F

**Recommended Working Pressure:**  
Min 1.7bar/25psi  
Max 5bar/75psi

**Please register your new product.**  
Complete the enclosed registration card, or call Toll free on 800.777.9762.

Installation Instructions

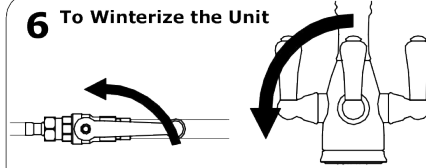
**5**



Turn on the main supply valve. Run the filtered water for 2 minutes to flush the system, and carefully check the system for leaks. The system is now ready for use.

For optimum filter performance when using the U.1802 filter cartridge use the stop valve to set a water flow of 0.4gpm to 0.5gpm max.

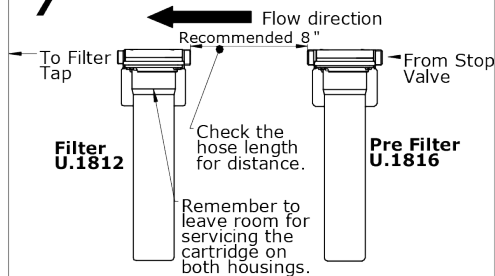
**6 To Winterize the Unit**



Shut off mains supply. A stop valve was supplied with the system for this purpose, and will be located on the adjacent pipe work. If you plan to be away from home for extended periods, carry out the procedures above, to prevent the risk of freezing. Freezing will invalidate the warranty.

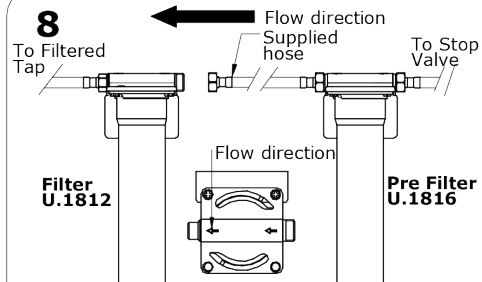
Turn the filtered lever on the faucet to the on position. This will confirm the water supply is off, and release the pressure in the system.

**7 Pre-filter Installation**



If installing a Pre-filter follow steps 1-3 for the second bracket taking into account the hose length supplied from the Pre-filter to the filter.

**8**



Tighten the hoses from the stop valve to the housings following the flow of the water shown on the cap. When installing the Pre-filter the system flows from the stop valve to the Pre-filter and on to the filter housing and then up to the filter tap.

**IMPORTANT NOTES**

Do not use with water, that is microbiologically unsafe or of unknown quality without adequate disinfection before or after the system. Systems certified for cyst reductions may be used on disinfected waters that may contain filterable cysts.

Please ensure that the installation complies with applicable State & local plumbing codes.

System is to be supplied with cold water only.

**CARE & MAINTENANCE**

Wipe down after use to avoid water spotting and mineral build up.

## Installation Instructions

### The Perrin and Rowe Collection Filter Installation Guide

Congratulations on the purchase of your Perrin and Rowe/Triflow filtration Product. Correctly installed and with sensible care, this product will give you many years of trouble free service.

#### IMPORTANT INFORMATION

**These are instructions for Triflow filters and the optional add on pre-filter version of the model you are installing. Please read carefully to ensure correct installation.**

**Before you proceed... We recommend you engage the services of a registered plumber to install this product.**

**In addition to the guide below it is essential that the written information overleaf is carefully read and understood.**

#### Preparation for Installer

Flush the plumbing system before installing the Kitchen product.

Ensure you have the correct fittings to connect to the filter faucet

**1**  $\phi 3/8"$  Main Cold Feed

Install the supplied stop valve in an easily accessible area to allow access to turn off the water supply in the future, for servicing and cartridge replacement.

Position the filter housing leaving room around it for future access and cartridge replacement. Mark the screw holes ready for pilot holes. Leave room for the Pre-filter housing if necessary.

**2**

Drill the pilot holes and screw the filter housing bracket in position. Making sure to keep as level as possible.

**3**

Tighten the hoses from the stop valve to the housings following the flow of the water shown on the cap.

If installing a Pre-filter the system flows from the stop valve to the Pre-filter and on to the filter housing and then up to the filter tap.

**4**

With the supplied connector kit connect the hose from the filter housing to the filter tap using one of the connectors.

**Installation Instructions**

**ROHL WARRANTY POLICY**

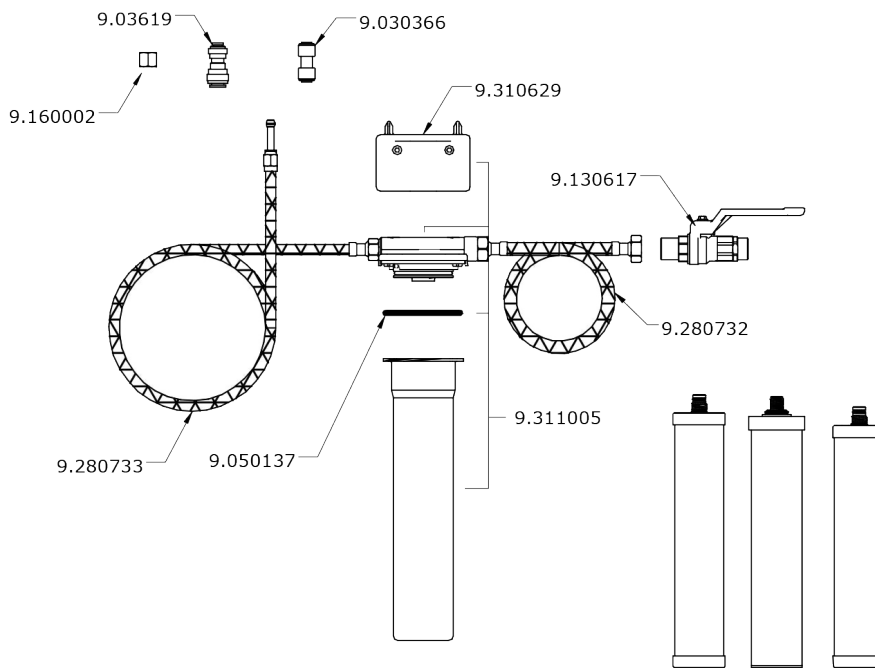
All products supplied by ROHL carry warranties against manufacturing defects.

Triflow products carry a Limited Lifetime Warranty.

ROHL LLC will provide free of charge, as its options, replacement part(s) or product (or a comparable alternative product) to replace those which have proven defective in materials or workmanship.

For full ROHL LLC WARRANTY please contact ROHL or visit [www.rohlhome.com](http://www.rohlhome.com)

**SPARES**



**Cartridge Service**

ROHL  
3 Parker  
Irvine, CA 92618  
800-777-9762  
[www.rohlhome.com](http://www.rohlhome.com)

The U.1812 Inline Filter System has been tested & certified by the Water Quality Association according to NSF/ANSI 42 & 53 for the performance claims as verified and substantiated by the test data.



Katadyn of Switzerland  
Exclusive manufacturers of the FRX02 Filter Cartridges for Triflow