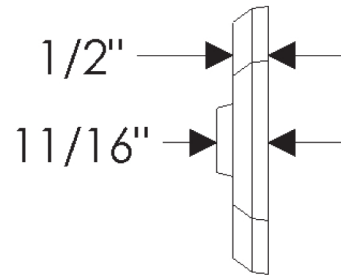
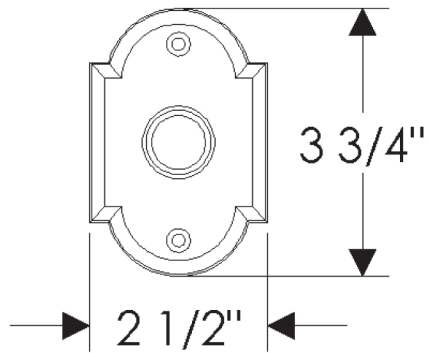


Arched Collection



E700
Arched Escutcheon
 $2 \frac{1}{2}'' \times 3 \frac{3}{4}''$