

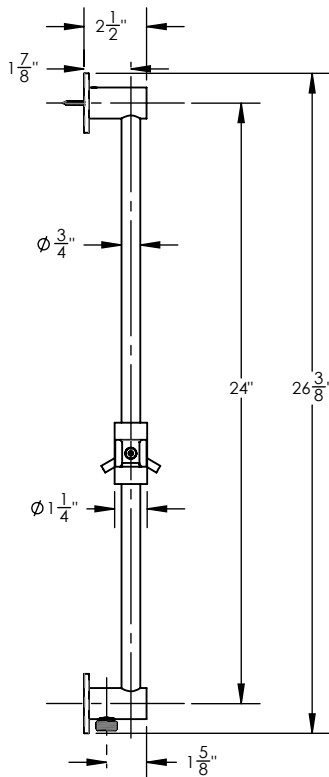
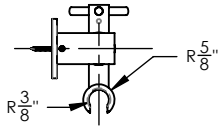


## TECHNICAL DETAILS

ADA Compliance: No  
 Installation Type: Wall Mounted  
 Primary Material: Brass

## PRODUCT FEATURES

- Integrated Outlet



## CODES & STANDARDS



ASME A112.181/ CSA B125.1, ASME 112.18.2/ CSA B125.2, ANSI NSF, CEC, Watersense 61 Sect. 9, State of MA.

## WARRANTY

Mechanical Warranty: 10 Years from date of purchase.  
 Finish Warranty: See catalog for further information.

