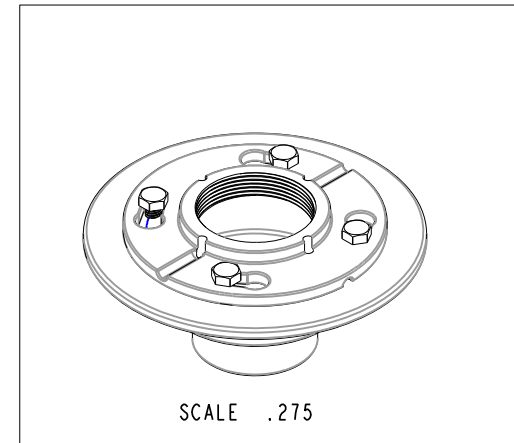
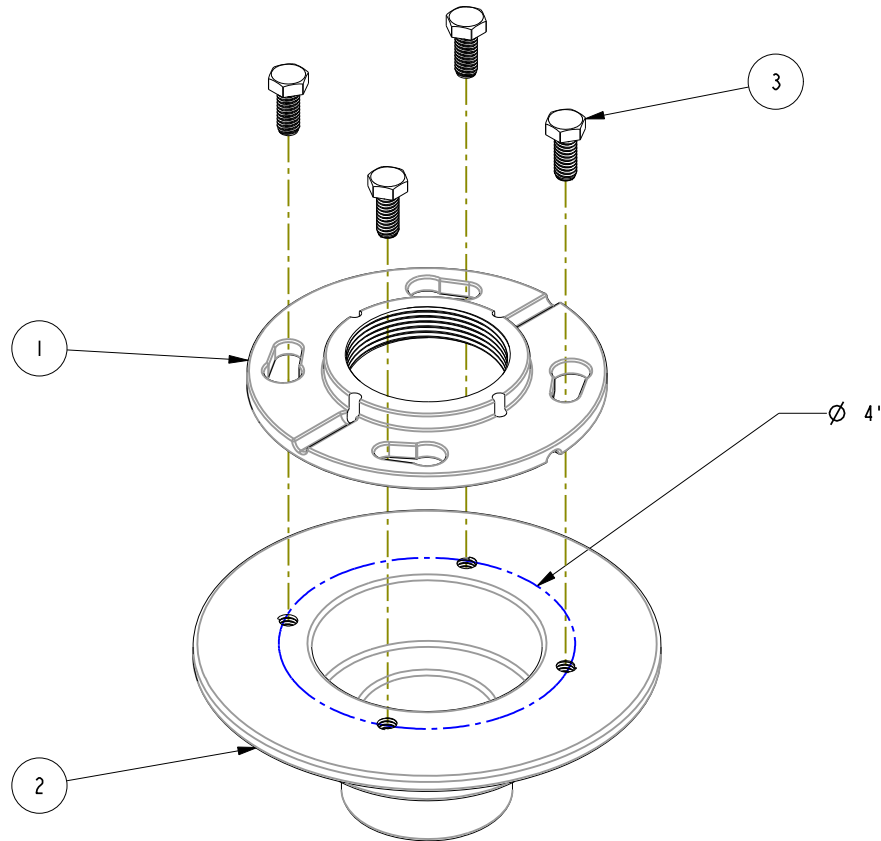


NOTES:

1. FIT / FORM / FUNCTION SHALL FOLLOW PS-E.008.

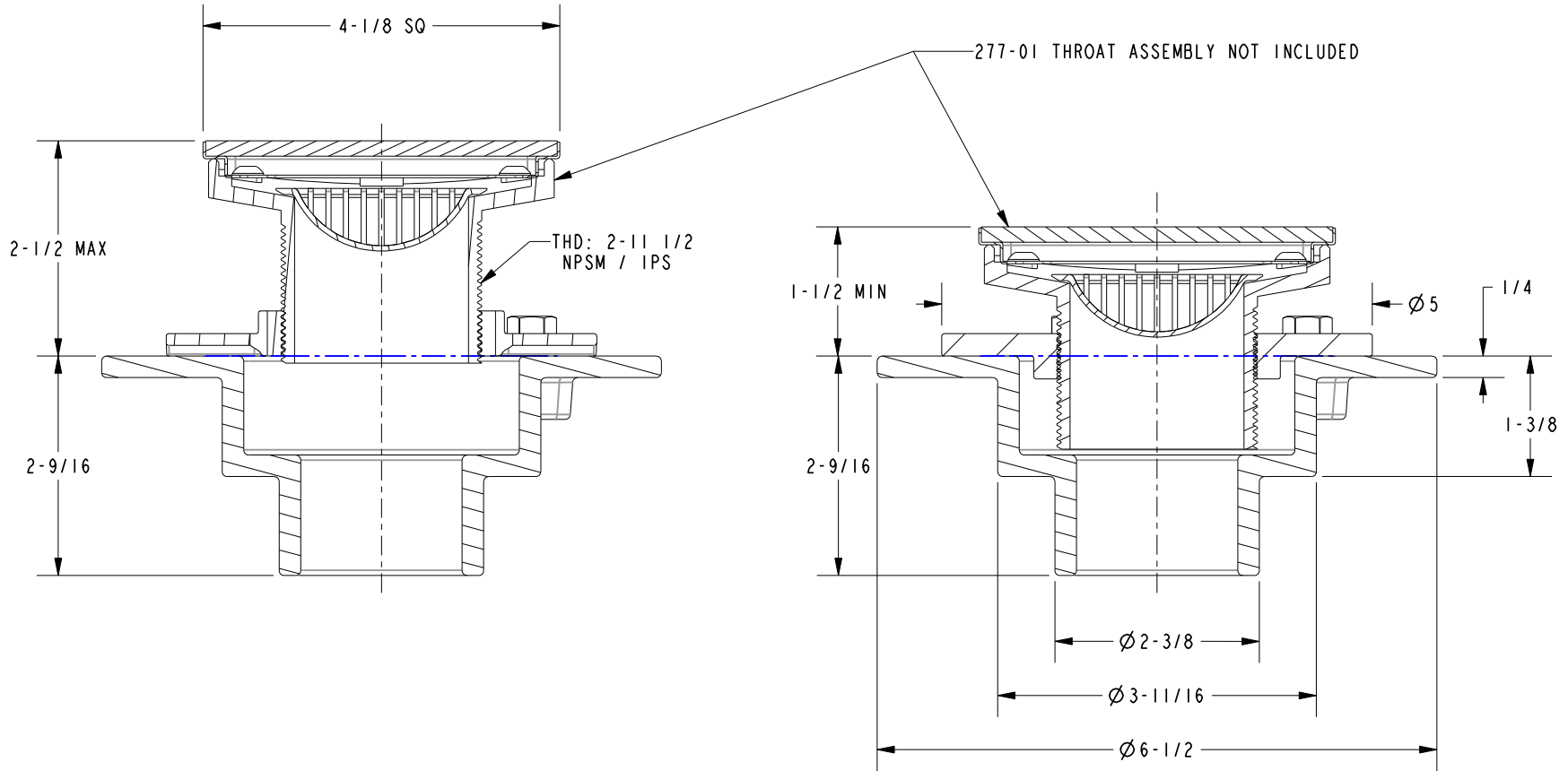
BILL OF MATERIAL (CURRENT LEVEL)

ITEM	PT/ASSY	DESCRIPTION	TYPE	QTY.
1	92515	WATTS FLOOR DRAIN COLLAR ICL-US (CAST IRON-GREY)	PART	1
2	92516	WATTS FLOOR DRAIN HUB B3-2NH (CAST IRON-GREY)	PART	1
3	92521	SCRW, 5/16-18 X 3/4 HEX CAP HD 304/316 STAINLESS STEEL	PART	4



					TESTING		-	-	UNITS ARE: INCHES [MM] TOLERANCES ARE: FRACTIONS DECIMALS ANGLES ±1/16" .X ±.1 (2,5) ±1° .XX ±.06 (1,5)		BRASSTECH 2001 CARNEGIE AVE. INCORPORATED SANTA ANA, CA 92705 (949) 417-5207		
					ASSEMBLY		-	-	(X.XXX) DENOTES CRITICAL DIMS. ALL THREADS ARE CRITICAL				DWG NO. 278-01 REV B
					PLATING		-	-	DRAWN J. AMOZOC 7/26/18		SCALE .375 REF. - SHEET OF 4		
					POLISHING		-	NEXT ASSY	USED ON		CHECKED V. VU 7/26/18		
					MACHINING		-	APPLICATION		APPROVED V. VU 7/26/18			
					TOOLING FIXTURE #		REMOVE ALL BURRS AND SHARP EDGES						
ZONE	REV	DESCRIPTION	DATE	APPROVED	COPYRIGHT 2005 BRASSTECH, INC. THESE DRAWINGS AND THE DESIGNS DEPICTED HEREIN ARE THE PROPRIETARY PROPERTY OF BRASSTECH. ANY USE OR REPRODUCTION IS SUBJECT TO THE EXPRESS APPROVAL OF BRASSTECH. UNAUTHORIZED USE IS STRICTLY PROHIBITED. ALL RIGHTS RESERVED.								
		EN-3668	7/26/18	B									
		EN-2186	06/18/12	A									
		EN-1714	12/30/11	-									

SPECIFICATION DWG

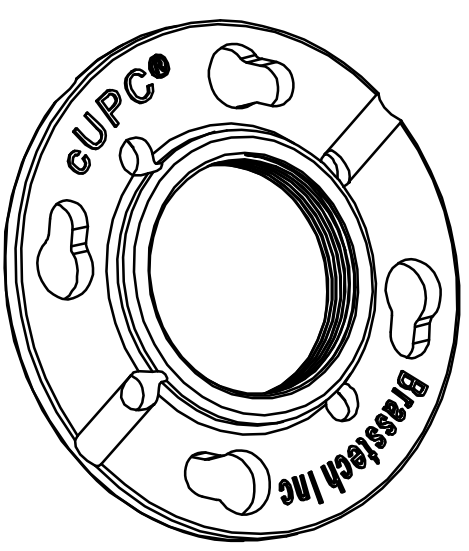
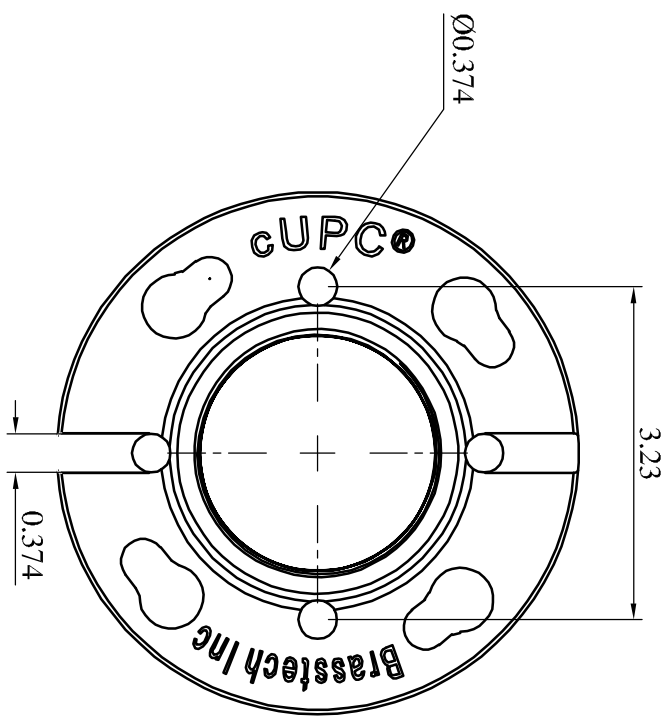


DIMENSIONS ARE IN INCHES AND AN APPROXIMATION OF A TYPICAL INSTALLATION

COPYRIGHT 2005 BRASSTECH, INC. THESE DRAWINGS AND THE DESIGNS DEPICTED HEREIN ARE THE PROPRIETARY PROPERTY OF BRASSTECH. ANY USE OR REPRODUCTION IS SUBJECT TO THE EXPRESS APPROVAL OF BRASSTECH. UNAUTHORIZED USE IS STRICTLY PROHIBITED. ALL RIGHTS RESERVED.

BRASSTECH		2001 CARNEGIE AVE. SANTA ANA, CA 92705 (949) 417-5207	
DWG NO.	278-01	REV	B
SCALE .500	REF. -	SHEET 2	OF 2

SIZE	UNIT	PER CTRM DWG	DATE	REV.
A4	INCH	XXX	XX-XX-XX	X



DO NOT SCALE DRAWING

UNIPLUMBG ENTERPRISE CO. LTD.

TOLERANCES :
 UNLESS OTHERWISE SPECIFIED
 .XX ± .010 ANGLES ± 1/2°
 .XXX ± .005 FRACTION ± 1/64

W.T.: _____ gms

MATERIAL : HT200

FINISH : XXX

TITLE
FLOOR DRAIN COLLAR ICL-US

ITEM No. _____

92515

REV. **A**

DRAWN _____

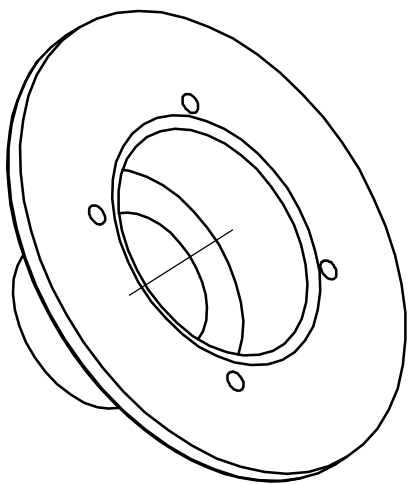
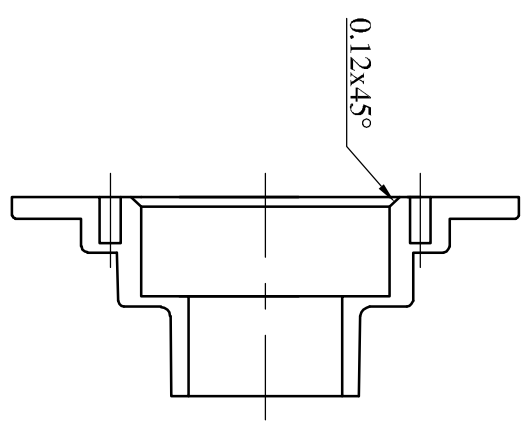
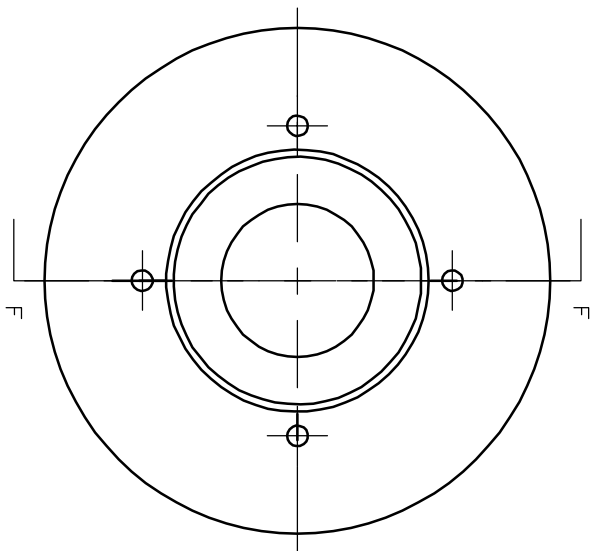
Makey 5/29/18

SCALE 1 : 1

PROJECTION FILE XXX

SHEET : 1 / 1

SIZE	UNIT	PER CTMR DWG	DATE	REV.
A4	INCH	XXX	XX-XX-XX	X



DO NOT SCALE DRAWING

TOLERANCES :
UNLESS OTHERWISE SPECIFIED

.XX ± .010 ANGLES ± 1/2°
.XXX ± .005 FRACTION ± 1/64

W.T.: gms

MATERIAL : HT200

FINISH : XXX

UNPLUMBG ENTERPRISE CO. LTD.

TITLE
FLOOR DRAIN HUB B3-2NH

ITEM No.

92516

DRAWN

Makey 5/29/18

APR.

SCALE 1 : 1

PROJECTION

REV. **A**
SHEET : 1 / 1 FILE XXX