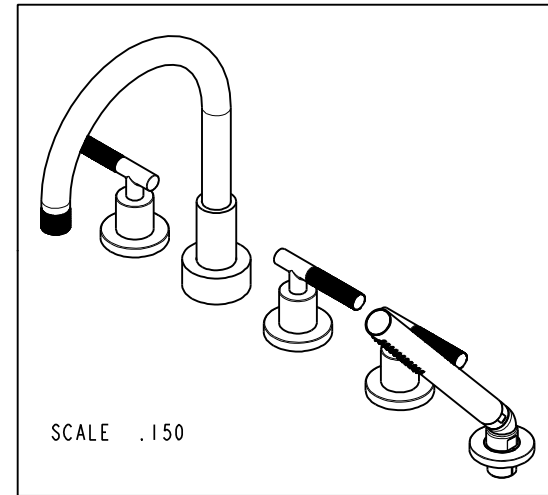
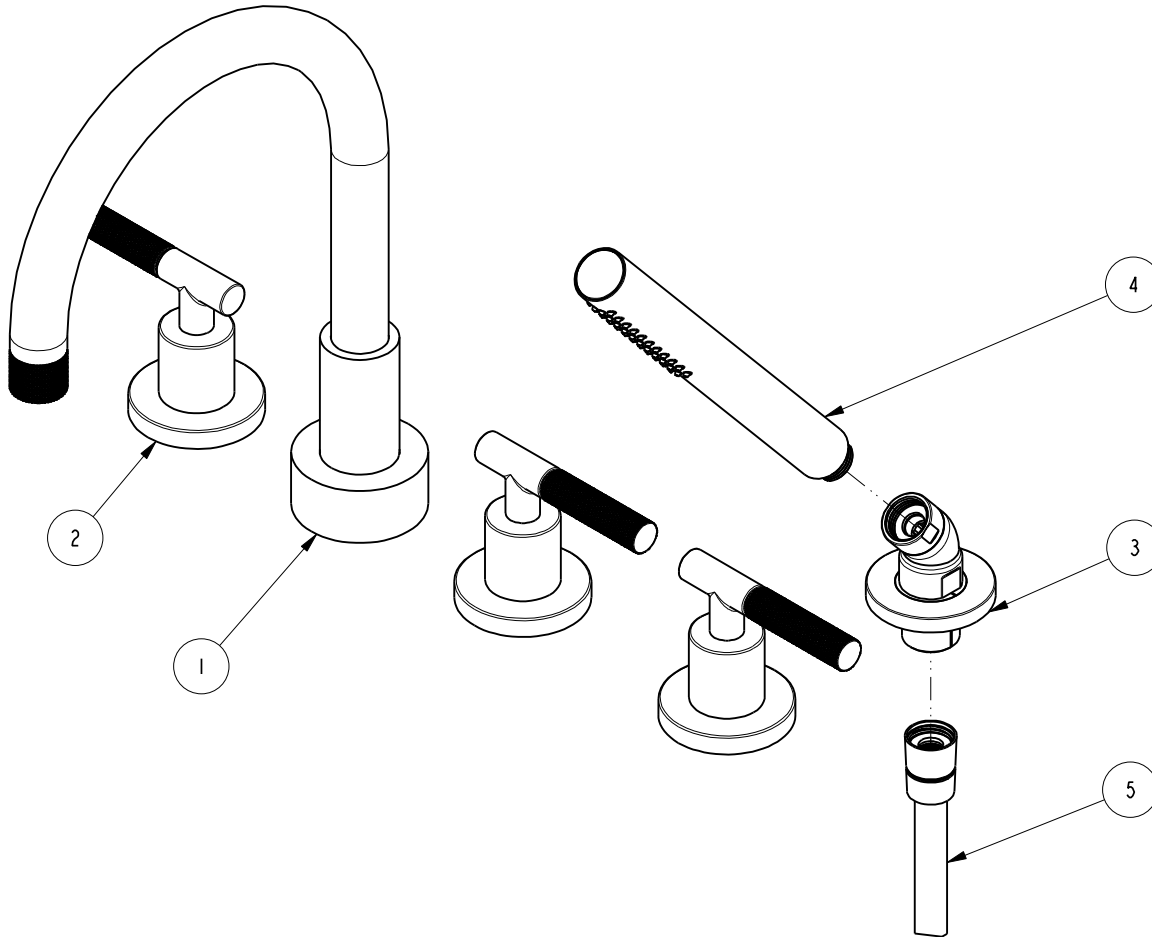


NOTES:

(NI) 1. FIT / FORM / FUNCTION SHALL FOLLOW PS-E.008.

BILL OF MATERIAL (CURRENT LEVEL)

ITEM	PT/ASSY	DESCRIPTION	TYPE	QTY.
1	3-696	R/T SPOUT ASM	ASSEMBLY	1
2	3-692	LEVER HANDLE W/ESC.	ASSEMBLY	3
3	6-289-7	HANDSHOWER-ESC ASM	ASSEMBLY	1
4	283-101	ROUND WAND HANDSHOWER	ASSEMBLY	1
5	284	59 IN. SPIRAL SHOWER HOSE	ASSEMBLY	1



COPYRIGHT 2005 BRASSTECH, INC. THESE DRAWINGS AND THE DESIGNS DEPICTED HEREIN ARE THE PROPRIETARY PROPERTY OF BRASSTECH. ANY USE OR REPRODUCTION IS SUBJECT TO THE EXPRESS APPROVAL OF BRASSTECH. UNAUTHORIZED USE IS STRICTLY PROHIBITED. ALL RIGHTS RESERVED.

TESTING	-	-	-
ASSEMBLY	-	-	-
PLATING	-	-	-
POLISHING	-	NEXT ASSY	USED ON
MACHINING	-	APPLICATION	
TOOLING FIXTURE #		REMOVE ALL BURRS AND SHARP EDGES	

UNITS ARE: INCHES [MM]
TOLERANCES ARE:
FRACTIONS DECIMALS ANGLES
±1/16" .X ±.1 [2.5] ±°
.XX ±.06 [1.5]

(X.XXX) DENOTES CRITICAL DIMS.
ALL THREADS ARE CRITICAL

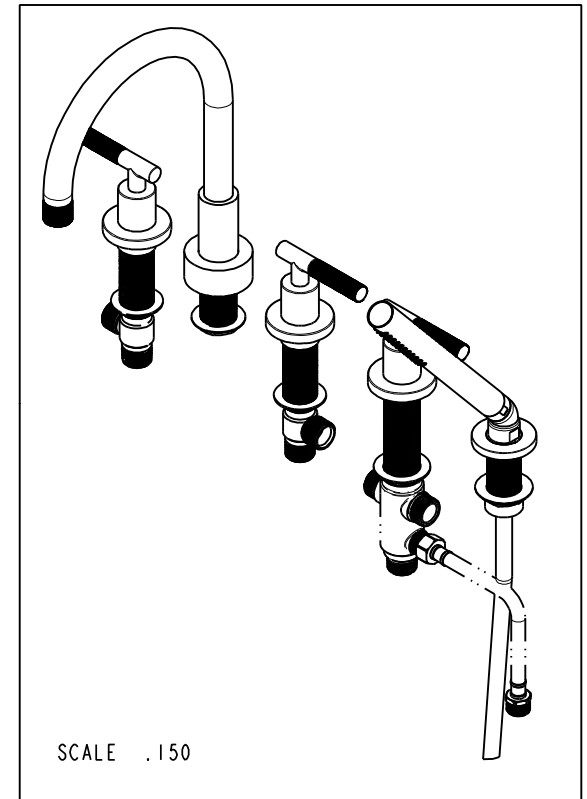
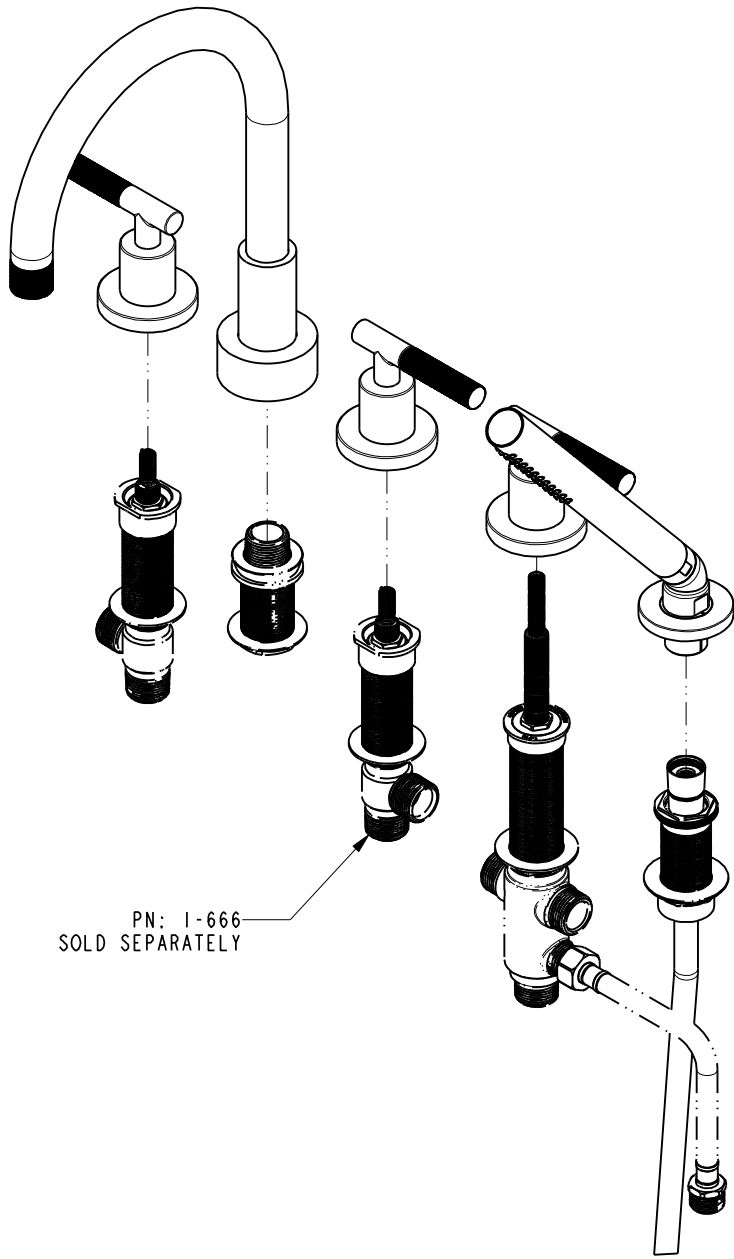
DRAWN	JINSON	05/04/20
CHECKED	J.M.	05/04/20
APPROVED	J.M.	05/04/20

BRASSTECH 2001 CARNEGIE AVE.
INCORPORATED SANTA ANA, CA 92705
(949) 417-5207

ROMAN TUB FAUCET W/
HANDSHOWER

DWG NO.	3-3297	REV	-
SCALE	.300	REF.	-
SHEET	1	OF	3

ZONE	REV	DESCRIPTION	DATE	APPROVED
-	-	EN-4115	05/04/20	J.M.



BRASSTECH		2001 E. CARNEGIE AVE. SANTA ANA, CA 92705 (949) 417-5207	
DWG NO.	3-3297	REV	-
SCALE .220	REF. -	SHEET 2	OF 3

