
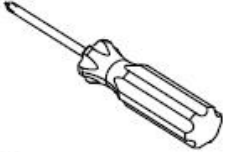



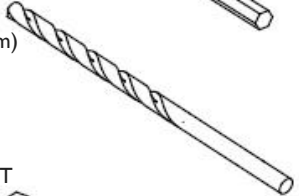

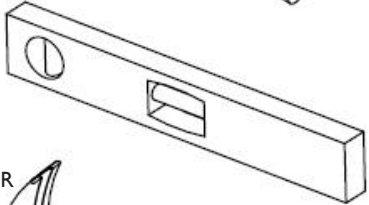

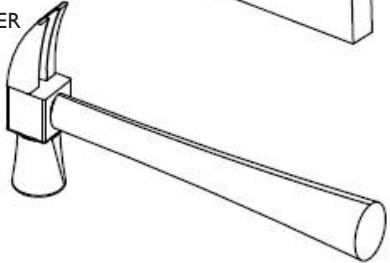




ITEMS INCLUDED			TOOLS REQUIRED		
DRY WALL ANCHOR		X 2	PHILLIPS SCREW DRIVER		
TILE ANCHOR		X 2	PEN / PENCIL		
#8 SCREW		X 2	1/4" (6mm) DRILL		
MOUNTING BRACKET		X 1	LEVEL SET		
M6 X 1 SET SCREW		X 1	HAMMER		
3MM ALLOY STEEL HEX KEY		X 1			
ROBE HOOK		X 1			

## INSTALLATION INSTRUCTIONS

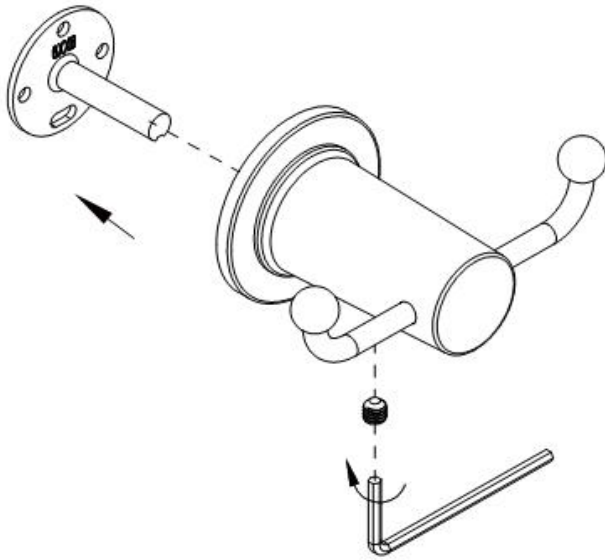
42-13

### DBL ROBE HOOK

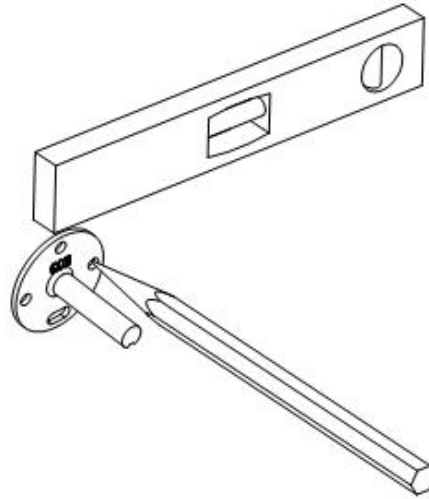
**NEWPORT BRASS**  
 Flawless Beauty. From Faucet to Finish.™

2001 CARNEGIE AVE, SANTA ANA CA 92705  
 (949) 417-5207  
 (949) 417-5207  
 WWW.NEWPORTBRASS.COM

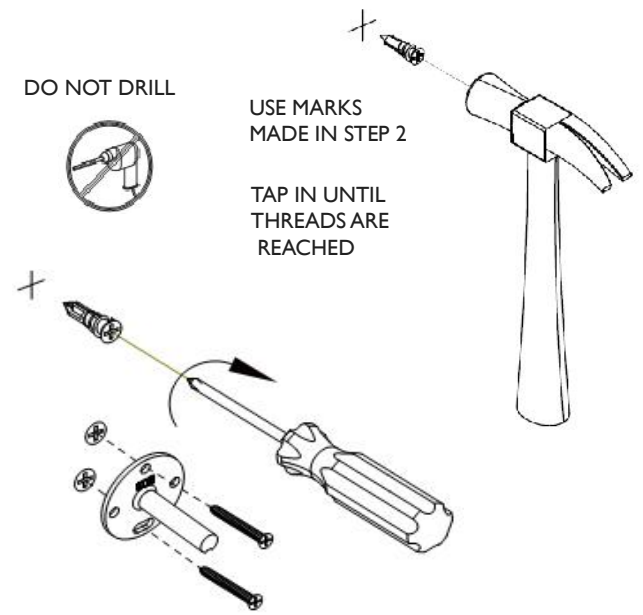
① REMOVE MOUNTING BRACKET



② ALIGN MOUNTING BRACKET AND MOUNT LOCATION



③ DRY WALL INSTALLATION

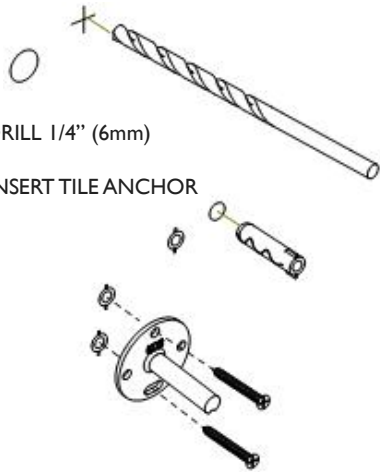


④ TILE OR SOLID WALL INSTALLATION

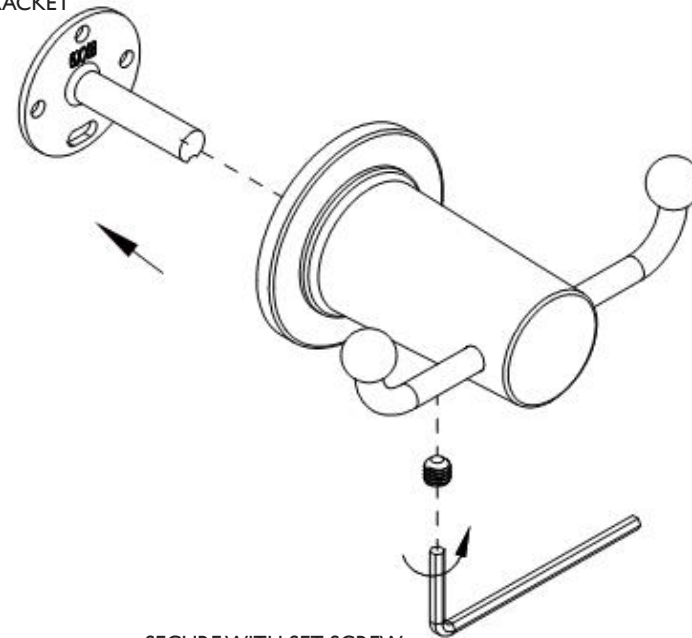
USE MARKS MADE IN STEP 2

DRILL 1/4" (6mm)

INSERT TILE ANCHOR



⑤ INSTALL PRODUCT ONTO BRACKET



SECURE WITH SET SCREW