

General Instructions:

CAUTION: Risk of personal injury. Native Trails Wall Mounts are extremely heavy, obtain sufficient help when lifting or moving.

CAUTION: Risk of property damage. Make sure that watertight seals exist on all drain connections, and that flooring, walls, and adjacent cabinetry are adequately protected while installing.

- It is strongly recommended that Native Trails wall mount vanities are installed by a licensed contractor.
- Observe all local plumbing and building codes.
- Have a licensed contractor determine if the wall is strong enough to adequately hold the weight of a full wall mount and applicable accessories.
- Ensure proper access to the final plumbing connections.
- Place a protective covering on the floor to prevent damage, unpack and inspect the wall mount for any damage.

Materials Recommended:

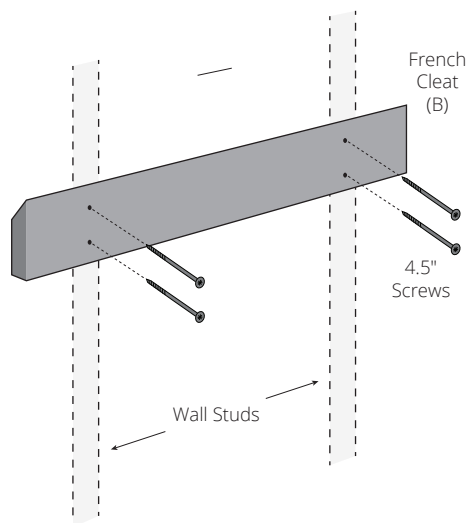
±8 - 4.5" Fastenmaster HeadLOK
Heavy-Duty Flathead Fasteners Screws

Tools Needed:

Drill Measuring Tape Level
Pencil Stud Finder

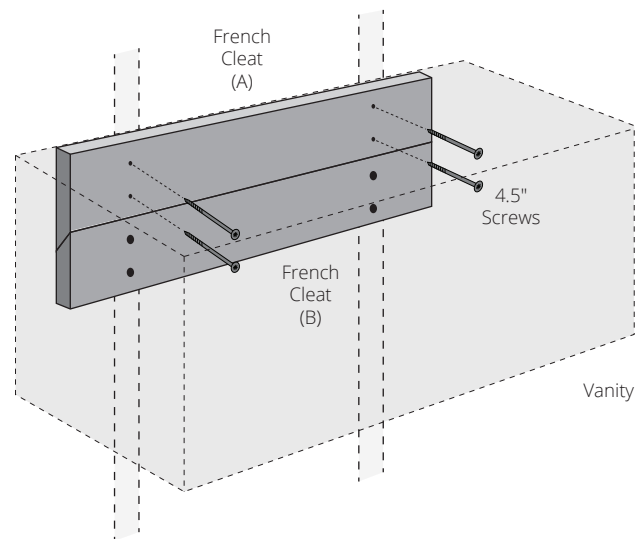
1. Mark the height and width of the vanity on the wall at the desired height in coordination with the location of the studs.
2. Use a Level and attach French Cleat (B) to wall into the studs using at least two 4.5" screws per stud. (Figure 1)

Figure 1



3. Hang vanity by connecting French Cleat (A) and French Cleat (B) securely into each other. Check with Level again and adjust slightly if needed.
4. Install at least two 4.5" screws per stud through the vanity and into French Cleat (A) to secure the vanity to the studs. (Figure 2)

Figure 2



When cleaning up after installations, DO NOT USE ABRASIVE CLEANERS, as they may scratch and change the vanity surface. Use warm water, a soft cloth and a non-abrasive soap to clean the surface. Refer to the Care and Maintenance Instructions for more information.