

MT10-6/8/10/12/16

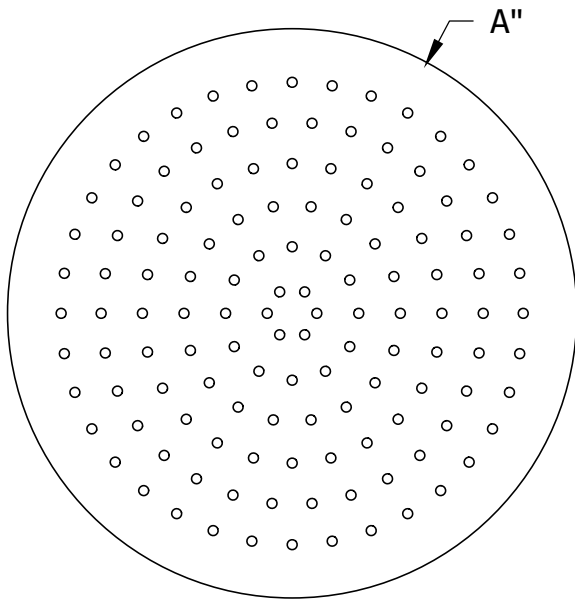
MOUNTAIN RE-VIVE™ ROUND RAIN HEAD

SPECIFICATION SHEET



Mountain

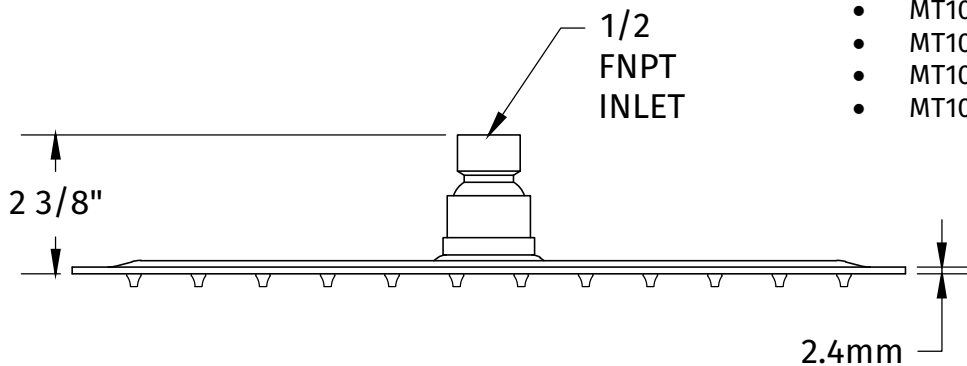
Plumbing Products



- STAINLESS STEEL CONSTRUCTION
- ULTRA SLIM 2.4 mm
- 1.6 GPM
- SEAMLESS CONSTRUCTION
- CLOG-FREE NOZZLES
- (MT10-12 SHOWN)

MODEL NUMBER	DIM A	NOZZLES
--------------	-------	---------

- | | | |
|-------------|------|-----|
| • MT10-6: | Ø6" | 60 |
| • MT10-8: | Ø8" | 90 |
| • MT10-10*: | Ø10" | 126 |
| • MT10-12*: | Ø12" | 168 |
| • MT10-16*: | Ø16" | 198 |



* DUE TO SIZE AND WEIGHT, THESE SHOWER HEADS ARE BEST SUITED TO BE USED EXCLUSIVELY AS A RAIN HEAD.

WARRANTY

FOR WARRANTY INFO PLEASE VISIT WWW.MOUNTAINPLUMBING.COM/PAGE/RESOURCES/WARRANTY

FINISH CARE & MAINTENANCE

NEVER USE ANY HARSH ALKALI, ACID BASED DETERGENTS OR CLEANERS SUCH AS SOFT SCRUB®, SCRUBBING BUBBLES® OR COMET® TO CLEAN. DO NOT USE BRILLO® AND SCOTCH BRITE® PADS. THESE WILL ALL HARM THE FINISH. TO CLEAN, USE ONLY A DAMP SOFT CLOTH AND WIPE USING A SOFT CLOTH. STANDARD WINDEX® CAN ALSO BE USED SPARINGLY. IT IS NOT NECESSARY TO WIPE HARD TO REMOVE SPOTS. TO MAINTAIN THE FINISH, WIPE WITH A SOFT DRY CLOTH AFTER USE. AN OCCASIONAL COAT OF PURE CARNAUBA WAX WITHOUT CLEANERS WILL HELP PROTECT THE FINISH.

SPECIFICATIONS SUBJECT TO CHANGE WITHOUT NOTICE