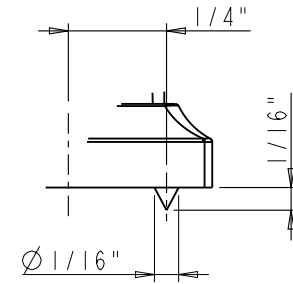
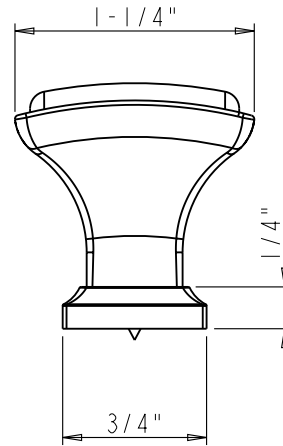
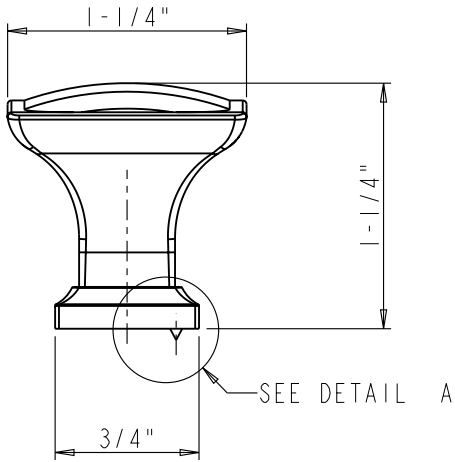
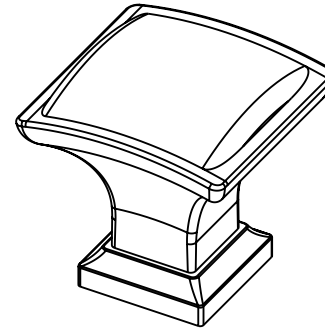
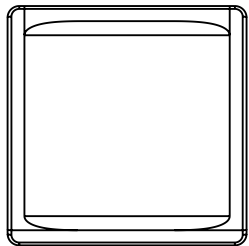


8-32 UNC -  $\nabla$  1/2"



DETAIL A  
SCALE 2:1



	ITEM#: 1-25-SQ-PILLOW-KNOB		MATERIAL: ZINC		
	FINISH:		WEIGHT: 80.78 g		
<b>PROPRIETARY AND CONFIDENTIAL</b> THE INFORMATION CONTAINED IN THIS DRAWING IS THE SOLE PROPERTY OF HARDWARE RESOURCES INC. ANY REPRODUCTION IN PART OR AS A WHOLE WITHOUT THE WRITTEN PERMISSION OF HARDWARE RESOURCES INC. IS PROHIBITED.	TOLERANCE UNLESS OTHERWISE SPECIFIED: X: MM $\pm 0.20$ X.X: MM $\pm 0.10$ X.XX: MM $\pm 0.05$ ANGULAR: $\pm 0.5^\circ$ DO NOT SCALE DRAWING		UNIT:	DRAWN BY: <i>alan.liu</i>	DATE:
	SIZE:	CHECKED BY:	APPROVED BY:	DATE:	DATE:
	PROJECTION:		DATE:		DATE: