

42" Deluxe Grab Bar with Contemporary Round Flange

Model #: 2642-



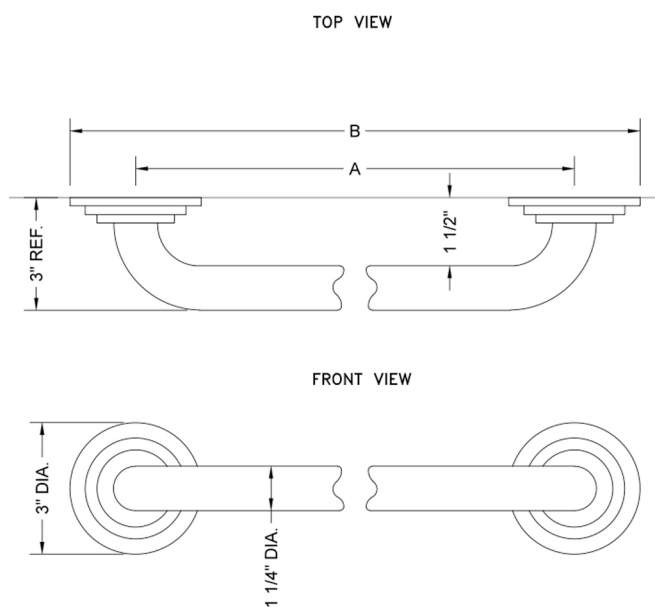
FEATURES:

- ADA compliant when properly installed
- Complements Contempo & Astor collections
- Covers standard 3" flange on stainless steel grab bars
- No need to re-tile in retro-fit applications
- 1 1/4" diameter
- 42" center post to center post
- For large quantity custom lengths contact hospitality@jaclo.com

AVAILABLE FINISHES:

| | | |
|-------------------------|---------------------|-------------------------|
| Polished Chrome (PCH) | Satin Chrome (SC) | Bronze Umber (BU) |
| Satin Nickel (SN) | Pewter (PEW) | Caramel Bronze (CB) |
| Polished Nickel (PN) | Antique Brass (AB) | Antique Copper (ACU) |
| Oil-Rubbed Bronze (ORB) | Polished Brass (PB) | Polished Copper (PCU) |
| Vintage Bronze (VB) | Satin Brass (SB) | Matte Black (MBK) |
| Black Nickel (BKN) | Europa Bronze (EB) | White (WH) |
| Sedona Beige (SDB) | Tristan Brass (TB) | Unlacquered Brass (ULB) |
| Satin Cooper (SCU) | | |

SPECIFICATION DRAWING:



| GRAB BAR W/ CONTEMPORARY ROUND FLANGE | | | |
|---------------------------------------|--------------|-----|-----|
| PART. # | DESCRIPTION | A | B |
| 2612 | 12" GRAB BAR | 12" | 15" |
| 2616 | 16" GRAB BAR | 16" | 19" |
| 2618 | 18" GRAB BAR | 18" | 21" |
| 2624 | 24" GRAB BAR | 24" | 27" |
| 2632 | 32" GRAB BAR | 32" | 35" |
| 2636 | 36" GRAB BAR | 36" | 39" |
| 2642 | 42" GRAB BAR | 42" | 45" |
| 2648 | 48" GRAB BAR | 48" | 51" |