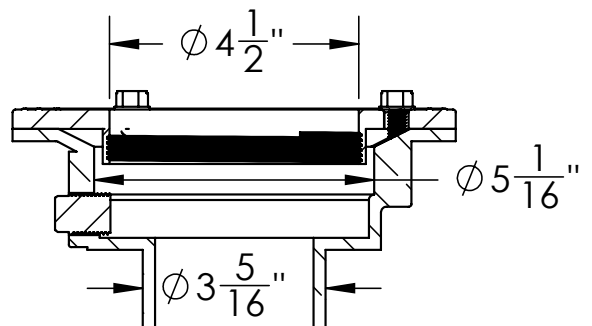
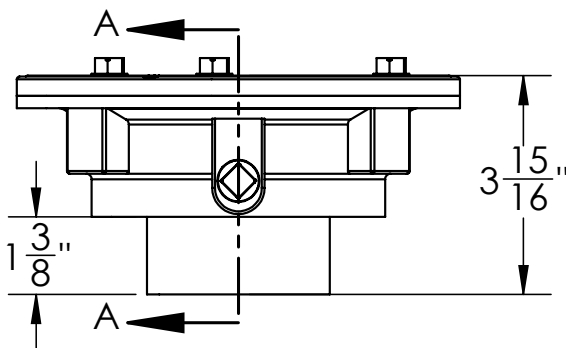
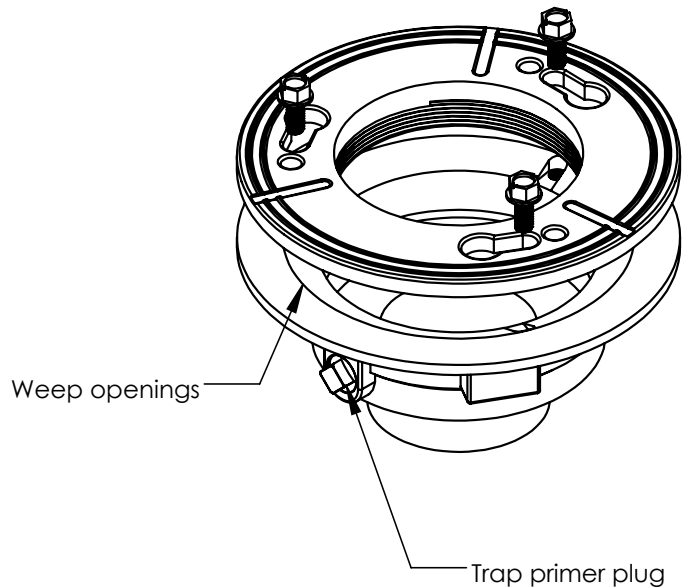
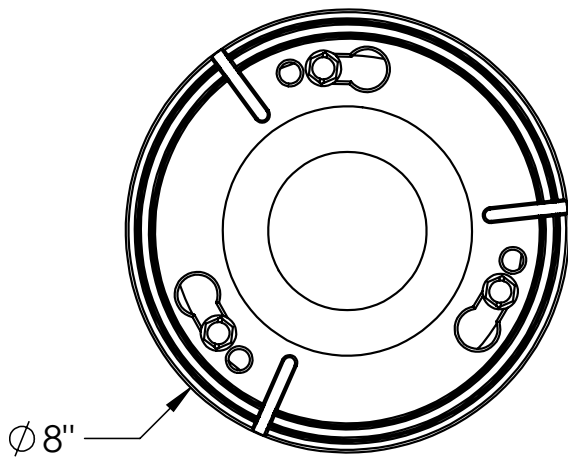


CDI 43W Specifications

ID Infinity Drain

CDI 43W:

- Cast Iron Clamp Down Drain Body Assembly
- 4" Throat
- 3" No Hub Outlet
- Threaded top ring
- NPT trap primer plug
- Compatible with traditional waterproofing membranes



SECTION A-A

Infinity Drain
145 Dixon Avenue
Amityville, NY 11701
Phone: 516.767.6786
Fax: 516.740.3066
www.infinitydrain.com



NOTE: Installer must verify all rough-in dimensions prior to installation and consult local and national codes. Conformity and compliance to local and national codes are the responsibility of the installer.