

Houston Sconce LED
HOU2

Project Name _____

Fixture Type _____

Quantity _____

Norwell | Lighting

I L E X

Custom Metalcraft

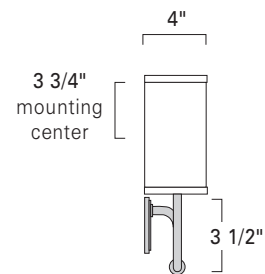
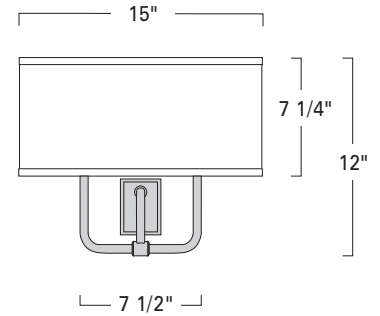
CITY LED Series



HOU2



Houston Double Sconce
HOU2-WM-PN-CS



The City Series ADA products are available in a variety of styles and finishes.



Product Name / Model / Dimensions	Mounting Options	Diffuser Options	Finish Options	Lamping Options						
<p>Houston Double Sconce / HOU2</p> <table border="1"> <thead> <tr> <th>Height</th> <th>Width</th> <th>Projection</th> </tr> </thead> <tbody> <tr> <td>12.00"</td> <td>15.00"</td> <td>4.00"</td> </tr> </tbody> </table>	Height	Width	Projection	12.00"	15.00"	4.00"	<p>Standard Wall Mount /WM</p>	<p>Standard Cream Linen Shade / CS</p> <p>Junction box behind shade</p>	<p>Standard Architectural Bronze / AB Polished Brass / PB Satin Brass / SB</p> <p>Premium Brushed Nickel / BN Polished Nickel / PN</p>	<p>Standard LED / LED 2592lm 3000K CCT, 80 CRI 36 Watts; 120v - 277v ELV dimnable (must specify 277v)</p> <p>Optional Incandescent / IN (2) 60W max candelabra E12</p>
Height	Width	Projection								
12.00"	15.00"	4.00"								

UL/ETL Listed

10-2020

DISCLAIMER:

Norwell Lighting and its companies, ILEX Architectural Lighting and Custom Metalcraft reserve the right to change specifications related to its product at anytime. USA Made indicates product is manufactured in East Taunton, Massachusetts facility. Phone: 508-823-1751