

Essence Double Sconce

EDS

Project Name _____

Fixture Type _____

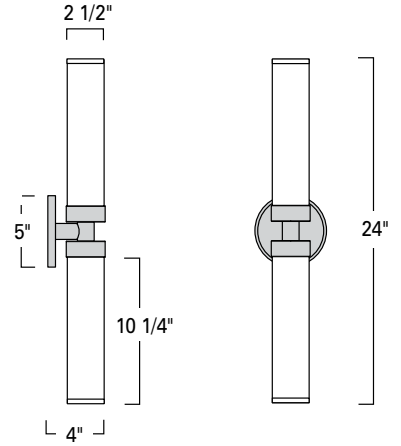
Quantity _____

Norwell | Lighting

I L E X

Custom Metalcraft

EDS



Essence Double sconce mounts horizontal or vertical



Essence Double Sconce
EDS-WM-PN-SW

[ADA](#)

| Product Name / Model / Dimensions | Mounting Options | Diffuser Options | Finish Options | Lamping Options | | | | | | |
|--|------------------|------------------|----------------|-----------------|----|----|---|------------------------------------|---|--|
| Essence Double Sconce / EDS <table border="1"> <thead> <tr> <th>Height</th> <th>Width</th> <th>Projection</th> </tr> </thead> <tbody> <tr> <td>24"</td> <td>5"</td> <td>4"</td> </tr> </tbody> </table> Backplate is 5" in diameter | Height | Width | Projection | 24" | 5" | 4" | Standard Wall Mount / WM Mounts horizontal or vertical | Standard Shiny White Glass / SW | Standard Brushed Nickel / BN Polished Nickel / PN | Standard Incandescent / IN (2) 60W Max Medium Base T10 Edison |
| Height | Width | Projection | | | | | | | | |
| 24" | 5" | 4" | | | | | | | | |

Wet Location, Outdoor Rated and UL/ETL Listed

REV-1-2021

DISCLAIMER:

Norwell Lighting and its companies, ILEX Architectural Lighting and Custom Metalcraft reserve the right to change specifications related to its product at anytime. USA Made indicates product is manufactured in East Taunton, Massachusetts facility. Phone: 508-823-1751