

**Double-Up Pendant**  
DUP

Project Name \_\_\_\_\_

Fixture Type \_\_\_\_\_

Quantity \_\_\_\_\_

Norwell | Lighting

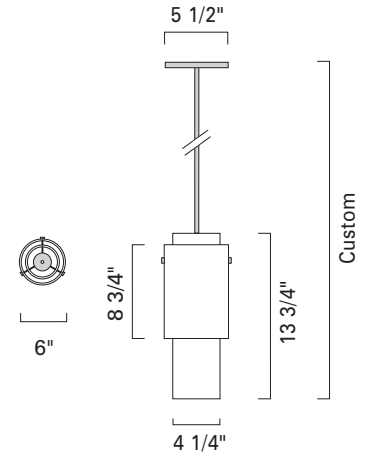
I L E X

**Custom Metalcraft**



Double-Up Pendant  
DUP-TU-SH-BN  
Outer Glass: Matte Opal Glass  
Inner Glass: Shiny White Glass

DUP



Product Name / Model / Dimensions			Mounting Options	Diffuser Options	Finish Options	Lamping Options
Double-Up Pendant / DUP			<b>Standard</b> Tubing / TU  <b>Optional</b> White Cord / WC Black Cord / BC	<b>Standard (Outer)</b> Matte Opal Glass <b>(Inner)</b> Shiny White Glass / SH	<b>Standard</b> Architectural Bronze / AB Antique Brass / AN Polished Brass / PB Satin Brass / SB  <b>Premium</b> Brushed Nickel / BN Polished Nickel / PN	<b>Standard</b> Incandescent / IN (1) 100W max medium base Edison
Body Height	Width	OA Height				
13.75"	6.00"	Custom				

UL/ETL Listed

8-2020

**DISCLAIMER:**

Norwell Lighting and its companies, ILEX Architectural Lighting and Custom Metalcraft reserve the right to change specifications related to its product at anytime. USA Made indicates product is manufactured in East Taunton, Massachusetts facility. Phone: 508-823-1751