

Chroma Extension Tilt

CHRT

Project Name _____

Fixture Type _____

Quantity _____

Norwell | Lighting

ILEX

Custom Metalcraft



Chroma Mahogany Wood Tripod / CHRTR
Dome Matt Black Powder Coat / MBPC
Knob Brushed Nickel / BN



CHRT Chroma Tilt Pendant
Architectural Bronze Powder Coat / ABPC
Yoke Matte Black Powder Coat / MBPC
Knob shown in Satin Brass / SB

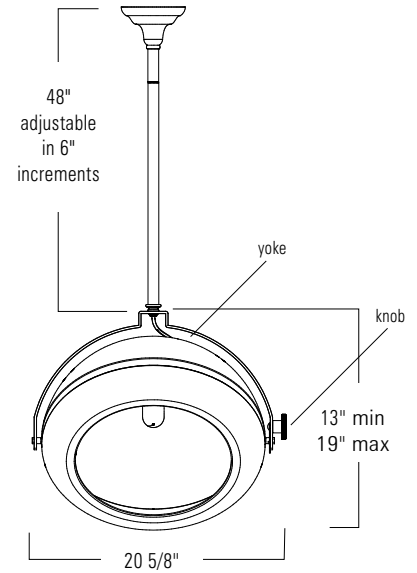


CHRW Chroma Tilt Wall Mount
CHRW-WM-PA-MA



CHR Chroma Pendant
CHR-BC-SRPC-MA

CHRT



Product Name / Dimensions	Mounting Options	Dome Finish Options	Lamping Options						
<p>Chroma Tilt Pendant / CHRT</p> <table border="1"> <tr> <td>Body Height</td> <td>Width</td> <td>Overall Height</td> </tr> <tr> <td>12 1/2"</td> <td>20 5/8"</td> <td>67" maximum</td> </tr> </table>	Body Height	Width	Overall Height	12 1/2"	20 5/8"	67" maximum	<p>Standard Single Stem / SS</p>	<p>Standard Architectural Bronze Powder Coat / ABPC Polished Aluminum / PA Brushed Aluminum / BA Matte Black Powder Coat / MB Metal Knob Finish Brushed Nickel / BN Satin Brass / SB Standard Stem, Canopy and Yoke Matte Black / MB ONLY</p> <p>Premium Custom Colors</p>	<p>Standard Incandescent / IN (1) 150W max medium base Edison</p>
Body Height	Width	Overall Height							
12 1/2"	20 5/8"	67" maximum							



DISCLAIMER:

Norwell Lighting and its companies, ILEX Architectural Lighting and Custom Metalcraft reserve the right to change specifications related to its product at anytime. USA Made indicates product is manufactured in East Taunton, Massachusetts facility. Phone: 508-823-1751