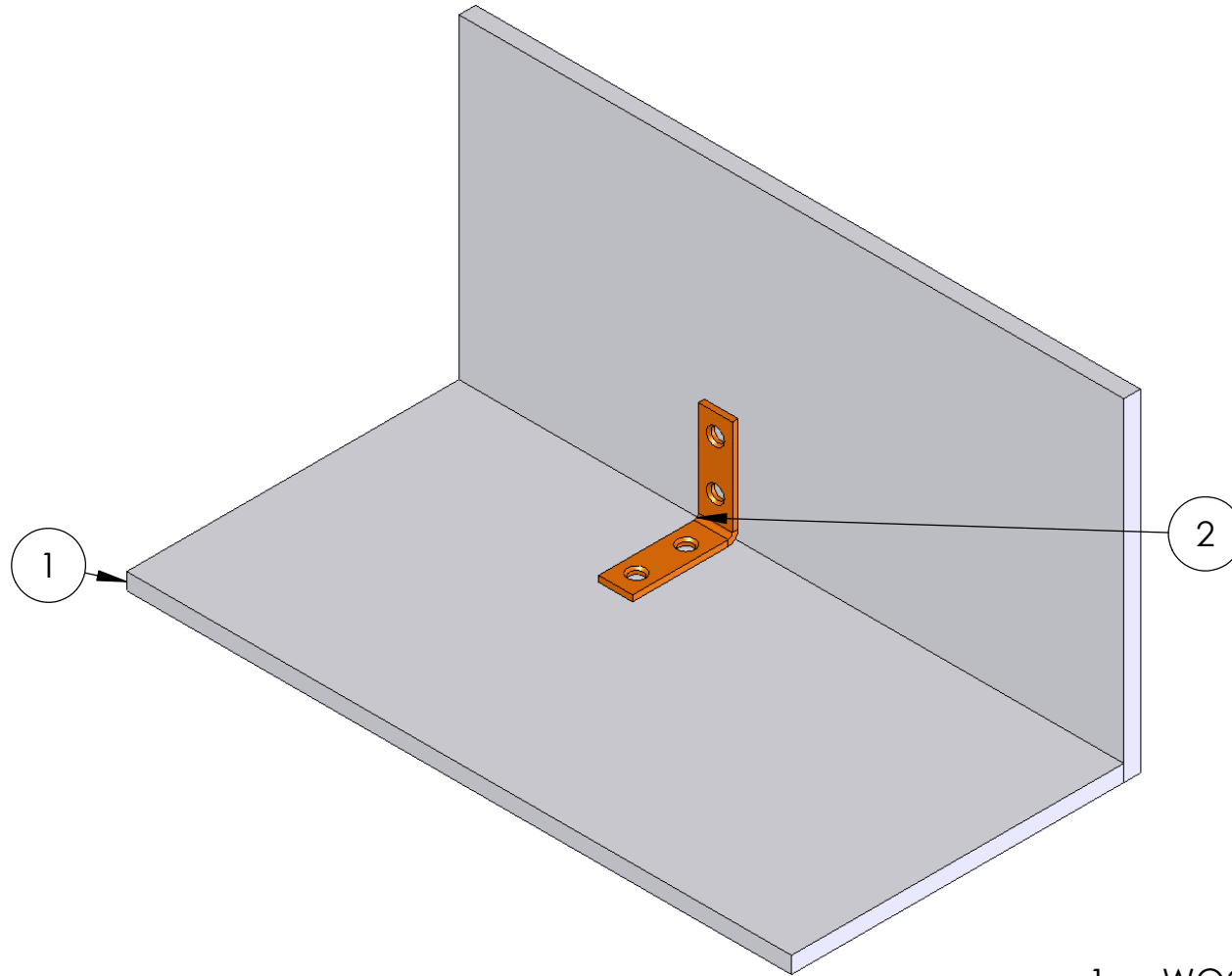


Drawn by: Udhay.N	Scale: 1:1	Date: 11/30/04	HARDWARE RESOURCES
<p style="text-align: center;">TOLERANCES</p> <p style="text-align: center;">UNLESS OTHERWISE SPECIFIED TOLERANCES ARE IN METRIC</p> <p>OVER ALL LENGTH ±0.1MM ANGLES ±0° 30'</p>			4319 MARLENA ST, BOSSIER CITY, LA71111
			PART NAME: 1-1/2" CORNER BRACKET
			MATERIAL: HOT ROLLED STEEL
			ITEM NO: 9212
			PLATING: ZN, BN, PB

Sheet 1/2

APPLICATION



1. WOOD PLANK
2. 1-1/2" CORNER BRACKET

Drawn by: Udhay.N	Scale: 1:1	Date:	HARDWARE RESOURCES	
<p style="text-align: center;">TOLERANCES</p> <p>UNLESS OTHERWISE SPECIFIED TOLERANCES ARE IN METRIC</p> <p>OVER ALL LENGTH ± 0.1 MM ANGLES $\pm 0^{\circ}30'$</p>			4319 MARLENA ST, BOSSIER CITY, LA71111	
			PART NAME:	
			MATERIAL:	
			ITEM NO:	
			PLATING:	

Sheet 2/2